

# TP200 product care guide



© 2008 - 2023 Renishaw plc. All rights reserved.

This document may not be copied or reproduced in whole or in part, or transferred to any other media or language by any means, without the prior written permission of Renishaw.

#### **Disclaimer**

WHILE CONSIDERABLE EFFORT WAS MADE TO VERIFY THE ACCURACY OF THIS DOCUMENT AT PUBLICATION, ALL WARRANTIES, CONDITIONS, REPRESENTATIONS AND LIABILITY, HOWSOEVER ARISING, ARE EXCLUDED TO THE EXTENT PERMITTED BY LAW.

RENISHAW RESERVES THE RIGHT TO MAKE CHANGES TO THIS DOCUMENT AND TO THE EQUIPMENT, AND/OR SOFTWARE AND THE SPECIFICATION DESCRIBED HEREIN WITHOUT OBLIGATION TO PROVIDE NOTICE OF SUCH CHANGES.

#### **Trade marks**

RENISHAW®, the probe symbol and REVO® and AGILITY® are registered trade marks of Renishaw plc.

Renishaw product names, designations and the mark 'apply innovation' are trade marks of Renishaw plc or its subsidiaries.

Other brand, product or company names are trade marks of their respective owners.

#### **Company registration details**

Renishaw plc. Registered in England and Wales. Company no: 1106260. Registered office: New Mills, Wotton-under-Edge, Gloucestershire, GL12 8JR, UK.

#### **ORIGINAL LANGUAGE VERSION**

## Contents

1	General information . . . . .	4
3	TP200 installation procedure . . . . .	5
3.1	Mounting the probe body on the probe head with M8 connection . . . . .	5
3.2	Mounting the probe body on the probe head with Renishaw autojoint . . . . .	6
3.3	Assembling a stylus on a stylus module . . . . .	6
3.4	Mounting the stylus module on the probe body . . . . .	7
4	Stylus module selection . . . . .	8
5	Dimensions. . . . .	9
6	Maintenance. . . . .	10

# 1 General information

## WEEE



The use of this symbol on Renishaw products and/or accompanying documentation indicates that the product should not be mixed with the general household waste upon disposal. It is the responsibility of the end user to dispose of this product at a designated collection point for waste electrical and electronic equipment (WEEE) to enable reuse or recycling. Correct disposal of this product will help save valuable resources and prevent potential negative effects on the environment. For more information, please contact your local waste disposal service or Renishaw distributor.

## Warranty

Unless you and Renishaw have agreed and signed a separate written agreement, the equipment and/or software are sold subject to the Renishaw Standard Terms and Conditions supplied with such equipment and/or software, or available on request from your local Renishaw office.

Renishaw warrants its equipment and software for a limited period (as set out in the Standard Terms and Conditions), provided that they are installed and used exactly as defined in associated Renishaw documentation. You should consult these Standard Terms and Conditions to find out the full details of your warranty.

Equipment and/or software purchased by you from a third-party supplier is subject to separate terms and conditions supplied with such equipment and/or software. You should contact your third-party supplier for details.

## Care of equipment

Renishaw probes and associated systems are precision tools used for obtaining precise measurements and must therefore be treated with care.

Please retain the transit box for storing the components when not in use.

---

**CAUTION:** The TP200 probe contains sensitive silicon strain sensors.

---

Permanent damage may be caused if the probe is dropped or subjected to severe shock as may be caused by misuse.

## Changes to Renishaw products

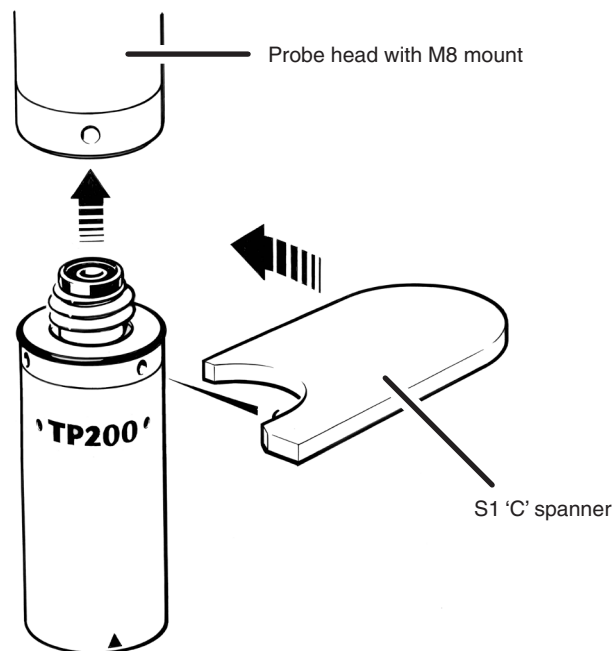
Renishaw reserves the right to improve, change or modify its hardware or software without incurring any obligations to make changes to Renishaw equipment previously sold.

### 3 TP200 installation procedure

#### 3.1 Mounting the probe body on the probe head with M8 connection

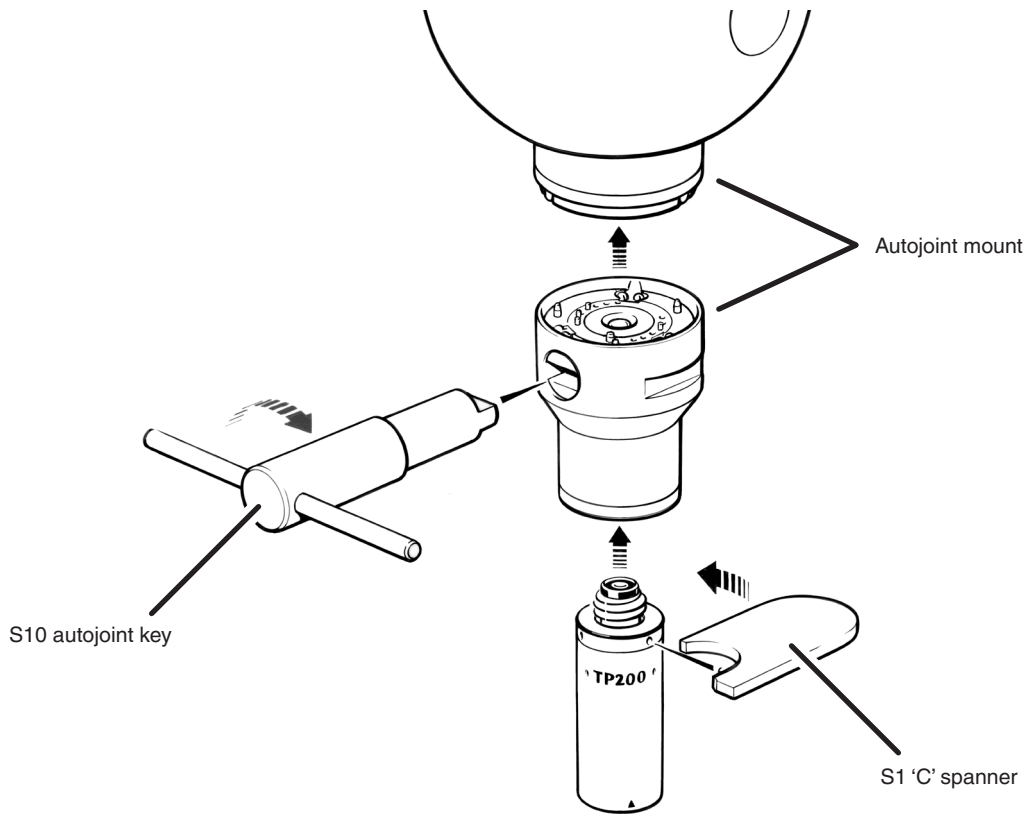
**CAUTION:** Take great care not to drop the probe when installing.

1. Mount the probe body on the probe head before fitting the stylus module.
2. Screw the threaded end of the probe body into the M8 connector, on the probe head, until it is finger tight. Do not over tighten with your fingers.
3. Fit the S1 'C' spanner (supplied) to the location holes and tighten by hand.
4. The recommended tightening torque is 0.3 Nm to 0.5 Nm.



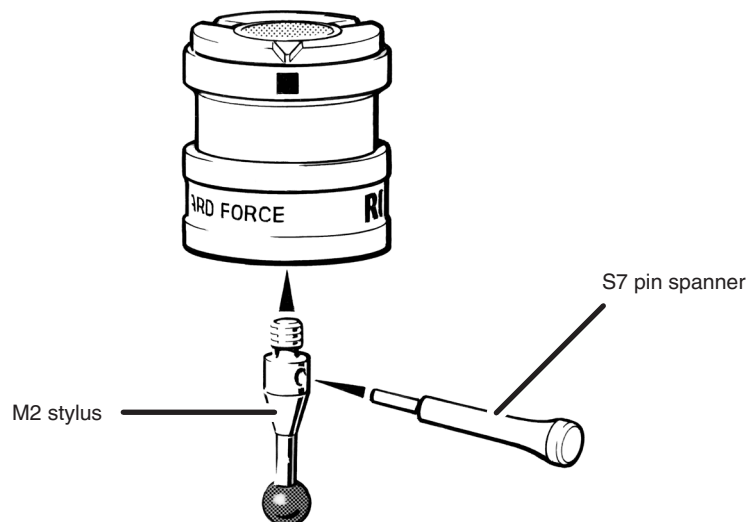
### 3.2 Mounting the probe body on the probe head with Renishaw autojoint

1. Before fitting to the probe head, screw the probe body to a PAA series adaptor, as instructed for M8 heads.
2. Locate the adaptor on the probe head and lock autojoint using S10 key.



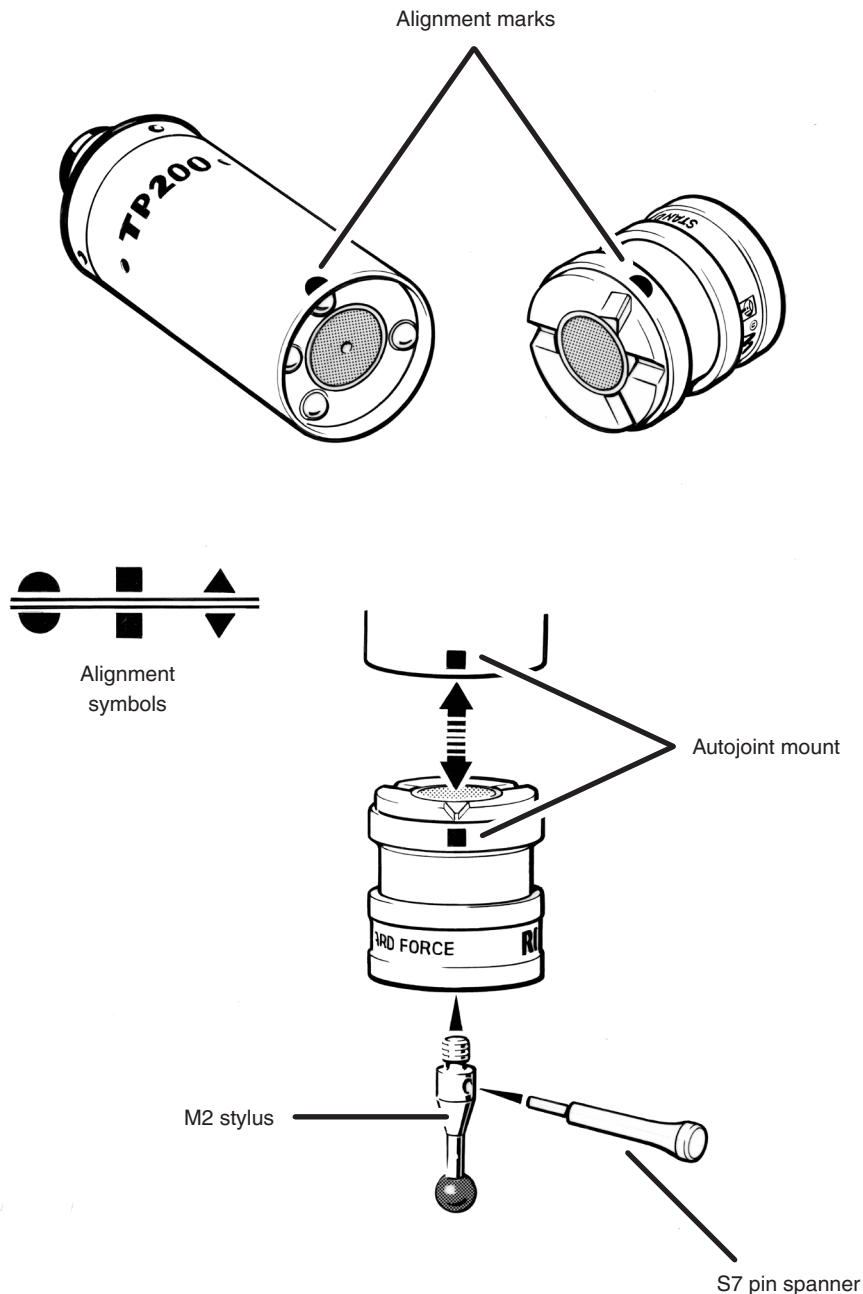
### 3.3 Assembling a stylus on a stylus module

1. Styli should always be screwed on to the module with the module removed from the probe body. Failure to do this can cause damage to the TP200 sensor.



### 3.4 Mounting the stylus module on the probe body

1. Visually examine the mating faces of the stylus module and probe body for dirt or other contamination. Clean if necessary using CK200 cleaning material (supplied).
2. Offer up the stylus module to the probe body ensuring that the alignment symbols are matched. Allow the stylus module to engage under the pull of the magnetic force. It is suggested the module is rolled onto the contacts and not snapped into place as severe shock can damage the TP200 sensor.
3. Reset the probe by pressing the RESET button, on the front panel of the PI 200-3 interface, for two seconds to reset the probe to the seated (armed) state.



**NOTE:** An automatic change rack (SCR200) is available which will reduce the risk of damage of the TP200 probe sensor when changing the modules.

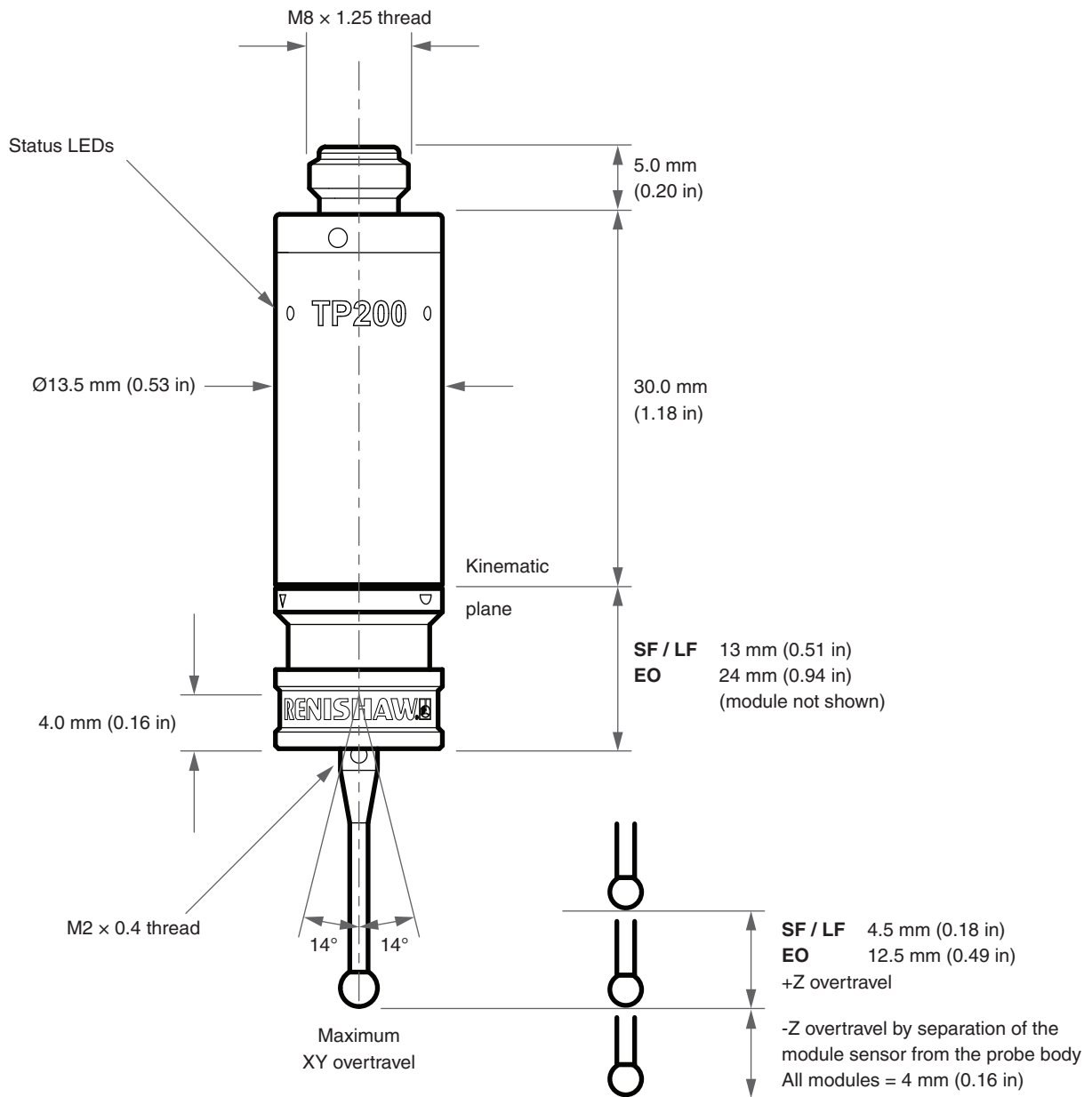
## 4 Stylus module selection

The SF module is satisfactory for the majority of applications and provides the maximum stylus carrying capability.

The EO module is recommended for use when increasing the speed of the CMM may lead to stopping distances which exceed the over travel range provided in the SF / LF modules. It is also suggested that this module should be used when the majority of measurements are in the Z axis of the probe. The extra over travel protection of the EO module may prevent damage to the probe if a crash occurs in the Z axis of the probe.



## 5 Dimensions



## 6 Maintenance

The kinematic coupling mechanism, connecting the probe body to the stylus module, incorporates precision ball / V groove seatings. The coupling mechanism has been tested in a wide range of environments and is highly tolerant of non-metallic dust, but regular inspection and cleaning with the CK200 material (supplied) is recommended to ensure continued high performance. Instructions for use are included with the cleaning material (Renishaw part number A-1085-0016).

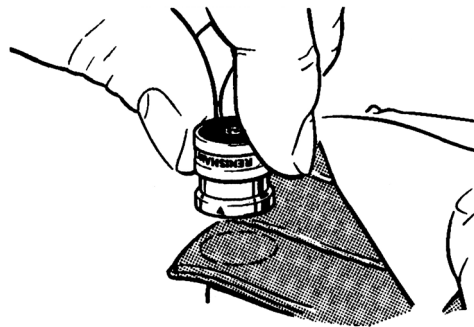
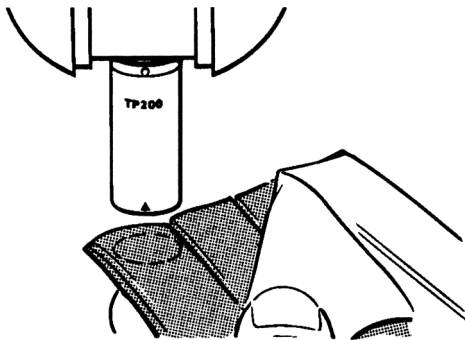
The user should determine the frequency of cleaning according to the conditions of use.

Stylus balls, threads and mating faces should be cleaned with a proprietary cleaning cloth or solvent.

Stylus modules that are not in use should be stored in spare ports in the SCR200 rack or in their transport boxes.

Before cleaning the probe body, please ensure either the power is off or that the probe body is removed from the probe head.

After cleaning the probe body and module re-attach the module following the instructions in the attaching stylus module section above.




[www.renishaw.com/TP200](http://www.renishaw.com/TP200)



#renishaw

+44 (0) 1453 524524

 [uk@renishaw.com](mailto:uk@renishaw.com)

© 2008–2023 Renishaw plc. All rights reserved. This document may not be copied or reproduced in whole or in part, or transferred to any other media or language by any means, without the prior written permission of Renishaw.

RENISHAW® and the probe symbol are registered trade marks of Renishaw plc. Renishaw product names, designations and the mark 'apply innovation' are trade marks of Renishaw plc or its subsidiaries. Other brand, product or company names are trade marks of their respective owners.

WHILE CONSIDERABLE EFFORT WAS MADE TO VERIFY THE ACCURACY OF THIS DOCUMENT AT PUBLICATION, ALL WARRANTIES, CONDITIONS, REPRESENTATIONS AND LIABILITY, HOWSOEVER ARISING, ARE EXCLUDED TO THE EXTENT PERMITTED BY LAW. RENISHAW RESERVES THE RIGHT TO MAKE CHANGES TO THIS DOCUMENT AND TO THE EQUIPMENT, AND/OR SOFTWARE AND THE SPECIFICATION DESCRIBED HEREIN WITHOUT OBLIGATION TO PROVIDE NOTICE OF SUCH CHANGES.

Renishaw plc. Registered in England and Wales. Company no: 1106260. Registered office: New Mills, Wotton-under-Edge, Glos, GL12 8JR, UK.

Part no.: H-1000-5166-02-A

Issued: 07.2023