

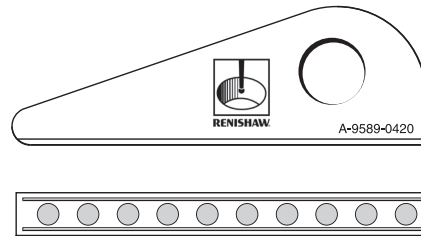
# RTL\* scale installation tool

The RTL\* scale installation tool is used as an aid to insert RTL scale through the *FASTRACK*™ carrier system.

**NOTE:** Refer to the relevant readhead installation guide for specific *FASTRACK* installation instructions.

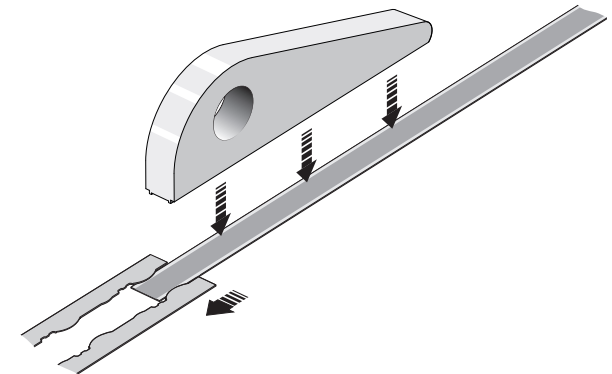
**Tool identification**

RTLA/RTLCL/RTLRL scale installation tool (A-9589-0420).

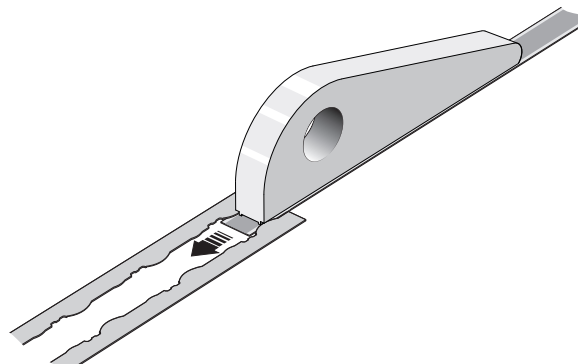


**Using the scale installation tool**

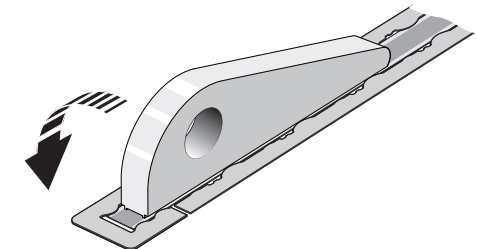
1. Install the *FASTRACK* carrier and remove the centre section, as shown in the relevant readhead installation guide. Insert the RTL\* scale into the *FASTRACK* carrier and locate the installation tool; magnets will attract and hold onto the scale.



2. Place thumb and forefinger either side of the through hole and push/pull the scale through the *FASTRACK* carrier.

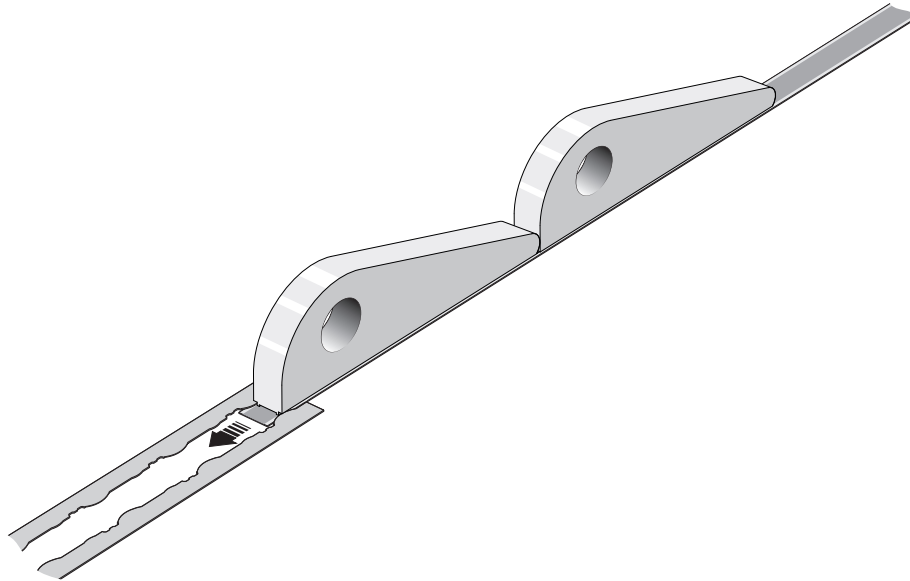


3. Feed the scale through to the end of the *FASTRACK* carrier or into the optional end-cap (if used). Roll the installation tool through 90° to remove.

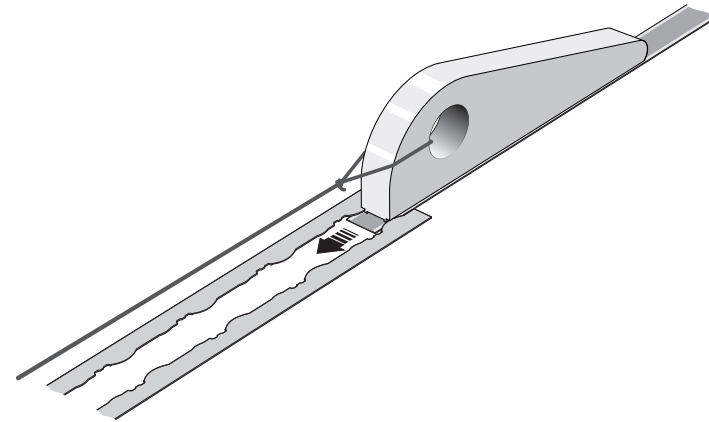


## Installation options

4. For installations longer than 18 m, two off-scale installation tools should be used in-line.



5. For installations where access is limited a pull cord threaded through the scale installation tool can be used.



[www.renishaw.com/contact](http://www.renishaw.com/contact)

 +44 (0) 1453 524524

 [uk@renishaw.com](mailto:uk@renishaw.com)

© 2017–2024 Renishaw plc. All rights reserved. This document may not be copied or reproduced in whole or in part, or transferred to any other media or language by any means, without the prior written permission of Renishaw.  
RENISHAW® and the probe symbol are registered trade marks of Renishaw plc. Renishaw product names, designations and the mark "apply innovation" are trade marks of Renishaw plc or its subsidiaries.  
Other brand, product or company names are trade marks of their respective owners.  
Renishaw plc. Registered in England and Wales. Company no: 1106260. Registered office: New Mills, Wotton-under-Edge, Glos, GL12 8JR, UK.

WHILE CONSIDERABLE EFFORT WAS MADE TO VERIFY THE ACCURACY OF THIS DOCUMENT AT PUBLICATION, ALL WARRANTIES, CONDITIONS, REPRESENTATIONS AND LIABILITY, HOWSOEVER ARISING, ARE EXCLUDED TO THE EXTENT PERMITTED BY LAW.

RENISHAW RESERVES THE RIGHT TO MAKE CHANGES TO THIS DOCUMENT AND TO THE EQUIPMENT, AND/OR SOFTWARE AND THE SPECIFICATION DESCRIBED HEREIN WITHOUT OBLIGATION TO PROVIDE NOTICE OF SUCH CHANGES.

 #renishaw

Part no.: M-9589-9101-02-A  
Issued: 07.2024