

RCS L-series



Contents

Legal information	3	RCS Software Suite	18
Warranty	3	Software download	18
Packing material	3	Kit contents	19
Renishaw software EULA	3	RCS L-90 system contents	19
Regulations and conformance	4	Hollow ball clamp kit (metric/imperial) contents	20
EU and UK	4	Hollow ball threaded kit (metric/imperial) contents	21
USA	5	Solid ball kit contents	22
Canada	6	Part frame kit contents	23
China	6	RCS kit spares	24
Intended use	6	Interface LED status	25
Safety	6	Troubleshooting	26
Overview	6	Equipment mishandling	26
Electrical and power safety	7	In-test robustness	26
Mechanical safety	7	Further information	26
Metric and imperial accessory kits	8		
Cleaning the balls	8		
Cleaning the joints	8		
System overview	9		
Guidelines for best practice	10		
Handling the RCS L-90 ballbar with care	10		
Tether use	10		
Pillar mounting method	11		
Cable management prior to part frame set-up	12		
Cable positioning prior to volumetric testing	13		
RCS product calibration	14		
Calibration certificates	14		
Certificate content	14		
RCS L-90 calibration and homing	15		
RCS L-90 ballbar calibration procedure	16		

Legal information

Warranty

Unless you and Renishaw have agreed and signed a separate written agreement, the equipment and/or software are sold subject to the Renishaw Standard Terms and Conditions supplied with such equipment and/or software, or available on request from your local Renishaw office.

Renishaw warrants its equipment and software for a limited period (as set out in the Standard Terms and Conditions), provided that they are installed and used exactly as defined in associated Renishaw documentation. You should consult these Standard Terms and Conditions to find out the full details of your warranty.

Equipment and/or software purchased by you from a third-party supplier is subject to separate terms and conditions supplied with such equipment and/or software. You should contact your third-party supplier for details. If you purchased the equipment from any other supplier, you should contact them to find out what repairs are covered by their warranty.

Packing material

Packaging component	Material	94/62/EC Code	94/62/EC number
Outer box	Non-corrugated fibreboard	PAP	21
Bag	Low density Polyethylene	LDPE	4

Renishaw software EULA

Renishaw software is licensed in accordance with the Renishaw licence at:

www.renishaw.com/softwarelicensing/en/activations

This product also contains third-party software from dotnet which is subject to the following licence:

The MIT License (MIT)

Copyright (c) .NET Foundation and Contributors. All rights reserved.

Permission is hereby granted, free of charge, to any person obtaining a copy of this software and associated documentation files (the "Software"), to deal in the Software without restriction, including without limitation the rights to use, copy, modify, merge, publish, distribute, sublicense, and/or sell copies of the Software, and to permit persons to whom the Software is furnished to do so, subject to the following conditions:

The above copyright notice and this permission notice shall be included in all copies or substantial portions of the Software.

THE SOFTWARE IS PROVIDED "AS IS", WITHOUT WARRANTY OF ANY KIND, EXPRESS OR IMPLIED, INCLUDING BUT NOT LIMITED TO THE WARRANTIES OF MERCHANTABILITY, FITNESS FOR A PARTICULAR PURPOSE AND NONINFRINGEMENT. IN NO EVENT SHALL THE AUTHORS OR COPYRIGHT HOLDERS BE LIABLE FOR ANY CLAIM, DAMAGES OR OTHER LIABILITY, WHETHER IN AN ACTION OF CONTRACT, TORT OR OTHERWISE, ARISING FROM, OUT OF OR IN CONNECTION WITH THE SOFTWARE OR THE USE OR OTHER DEALINGS IN THE SOFTWARE.

Regulations and conformance

EU and UK

Declaration of conformity



Renishaw plc hereby declares that RCS L-series system complies with the essential requirements and other relevant provisions of:

- the applicable EU directives and regulations
- the relevant statutory instruments under UK law
- The full text of the declaration of conformity is available upon request

Safety

In compliance with BS EN 61010-1:2010 the product is safe to use in the following environmental conditions:

- Indoor use only
- Altitude up to 2000 m
- Maximum relative humidity (non-condensing) of 80% for temperatures up to 31° C, decreasing linearly to 50% relative humidity at 40° C
- Pollution degree 2

RoHS compliance

Compliant with EC directive 2011/65/EU (RoHS)

REACH regulation

Information required by Article 33(1) of Regulation (EC) No 1907/2006 (“REACH”) relating to products containing substances of very high concern (SVHCs) is available at:

www.renishaw.com/REACH

SCIP

Substances of concern in products (EU waste framework directive).

SCIP numbers can be found at:

www.renishaw.com/REACH

Disposal of waste electrical and electronic equipment



The use of this symbol on Renishaw products and/or accompanying documentation indicates that the product should not be mixed with general household waste upon disposal. It is the responsibility of the end user to dispose of this product at a designated collection point for waste electrical and electronic equipment (WEEE) to enable reuse or recycling. Correct disposal of this product will help to save valuable resources and prevent potential negative effects on the environment. For more information, contact your local waste disposal service or Renishaw distributor.

USA

FCC Compliance Statement



47 CFR Section 15.19

This device complies with part 15 of the FCC Rules. Operation is subject to the following two conditions:

1. This device may not cause harmful interference, and
2. This device must accept any interference received, including interference that may cause undesired operation.

The user is cautioned that any changes or modifications not expressly approved by Renishaw plc or authorised representative could void the user's authority to operate the equipment.

This equipment has been tested and found to comply with the limits for a Class A digital device, pursuant to Part 15 of the FCC rules. These limits are designed to provide reasonable protection against harmful interference when the equipment is operated in a commercial environment. This equipment generates, uses and can radiate radio frequency energy and, if not used in accordance with this user guide, may cause harmful interference to radio communications. Operation of this equipment in a residential area is likely to cause harmful interference, in which case you will be required to correct the interference at your own expense.

Supplier's Declaration of Conformity

47 CFR § 2.1077 compliance information

Unique Identifier: RCS L-90 and RCS T-90 systems

Responsible Party – U.S. Contact Information

Renishaw Inc.

1001 Wesemann Drive

West Dundee

Illinois

IL 60118

United States

Telephone number: +1 847 286 9953

Email: usa@renishaw.com

US Government notice

NOTICE TO UNITED STATES GOVERNMENT CONTRACT AND PRIME CONTRACT CUSTOMERS.

This software is commercial computer software that has been developed by Renishaw exclusively at private expense. Notwithstanding any other lease or licence agreement that may pertain to, or accompany the delivery of, this computer software, the rights of the United States Government and/or its prime contractors regarding its use, reproduction and disclosure are as set forth in the terms of the contract or subcontract between Renishaw and the United States Government, civilian federal agency or prime contractor respectively. Please consult the applicable contract or subcontract and the software licence incorporated therein, if applicable, to determine your exact rights regarding use, reproduction and/or disclosure.

Canada

EMC ICES-01 (Canada only)

This ISM device complies with Canadian ICES-003(A) / NMB-003(A).

Cet appareil ISM est conforme à la norme ICES-003(A) / NMB-003(A) du Canada.

China

RoHS compliance

Compliant with EC directive 2011/65/EU (RoHS)

China RoHS

The L-series China RoHS is available on request. Please contact Renishaw plc support for the full China RoHS tabulation.



Intended use

The intended use of this equipment is to improve the precision and repeatability of the motion of industrial robots and any associated equipment. There are risks associated with installation and activities undertaken within the hazard zone of robotic machinery and other hazardous equipment. These risks should be fully considered and managed down to an acceptable level by the user.

Safety

Overview

The RCS L-series system can be used in a variety of environments and applications.

WARNING: To ensure the safety of the user and other personnel in the vicinity, it is recommended that a comprehensive risk assessment of the robot system under test is carried out before starting.

The risk assessment should be carried out by qualified users (requiring machine competency, application technical knowledge and advice from a trained risk assessor) with consideration for the safety of all personnel. The risks identified must be mitigated prior to using the systems. The risk assessment should pay particular attention to robot system movement (in both manual and automatic modes), manual handling, and electrical safety.

CAUTION: There are no user-serviceable parts inside the RCS L-series robot ballbar and L interface box. Do not remove any part of the housing; to do so could cause personal harm and damage the system irreparably.

Ensure that you have read and fully understood the RCS L-series user guide before using the system.

NOTE: Appropriate safety wear must be worn during installation and operation of the product within a robotic cell.



CAUTION: The system contains magnets which may cause pinch injuries with metal objects or interfere with electronic and implanted medical devices.

Electrical and power safety

- It is recommended that contact with fluids; for example, coolant should be avoided where possible. The RCS L-series must only be powered by the interface modules provided.
- The RCS L interface box is compatible with any USB 2.0 port (or above) on a laptop or desktop computer.
- Only use the extension cable and the USB A-Male to B-Male cable provided with the system.
- Never connect the interface modules to devices that are not intended to be used as part of the RCS L-series.

Mechanical safety

- When setting up and mounting the RCS L-series, be aware of pinch and/or crush hazards that may be created, for example, due to magnetic coupling and/or the extending or closing of the robot ballbar.
- Be aware of trip hazards that may be created between the cables of the RCS L-series, interface modules and the laptop or desktop computer.
- Exercise caution if the system is mounted to an external axis that moves or rotates. Beware of cables becoming entangled.
- If operating the robot system with guards or any safety features removed or disabled, it is the responsibility of the operator to ensure that alternative safety measures are taken in line with the operating instructions for the robot system or relevant codes of practice.
- If operating the robot system within a guarded cell, it is the responsibility of the operator to ensure safe practice is followed.
- Any program that is generated should be first verified in manual mode by the operator before running in automatic mode.
- When values in the robot controller (tool frame, part frame, joint offsets) are updated the production programs should be tested.

Metric and imperial accessory kits

Both metric and imperial versions of the accessory kits are available. The measurement unit is detailed in the product names. The RCS L-90 kit (Renishaw part no. A-6827-6100) is supplied with metric mounting screws. Check that you have the correct accessories before set-up.

Cleaning the balls

Prior to use, check all datum balls are clean and undamaged. Where required, use the supplied Renishaw cleaning kit to ensure that end joints are clean and free from debris.

Primary cleaning should be undertaken with a dry, lint free cloth. Isopropyl alcohol (IPA) can be used for any stubborn grime and debris.

NOTE: Check datum balls regularly for imperfections. For details of replacement kits, contact your local Renishaw representative.

Cleaning the joints

Prior to mounting the system, ensure all contact points are free from debris (for example, metal shavings on either magnetic mounting interface) using the Renishaw-supplied cleaning kit.

With clean hands, tear off a small piece of material and shape it into a ball.

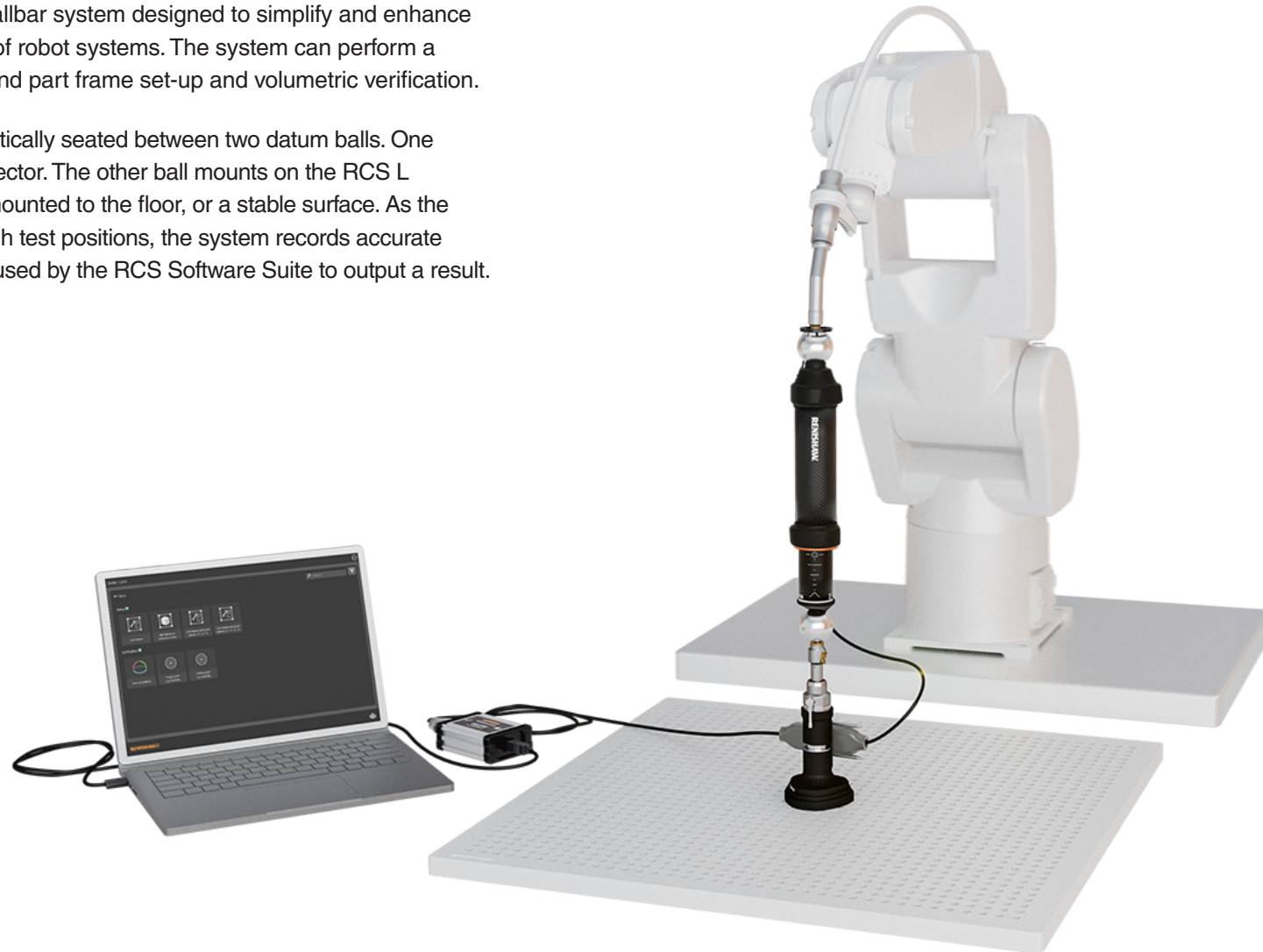
Press into or onto each feature, taking care to ensure none of the cleaning material is left behind.



System overview

The RCS L-series is a linear ballbar system designed to simplify and enhance the installation and calibration of robot systems. The system can perform a variety of tests, including tool and part frame set-up and volumetric verification.

The RCS L-90 ballbar is magnetically seated between two datum balls. One ball mounts to the robot end-effector. The other ball mounts on the RCS L central pillar, which should be mounted to the floor, or a stable surface. As the robot manipulator moves through test positions, the system records accurate measurements which are then used by the RCS Software Suite to output a result.



Guidelines for best practice

Handling the RCS L-90 ballbar with care

The RCS L-series has been designed to be robust, however the equipment is a precision measurement system and must be handled with care. The RCS L-90 contains an encoder readhead and scale to deliver accurate measurements.

CAUTION: Rough handling of the ballbar may damage it and cause the encoder to malfunction, leading to the need for re-homing. When handling, ensure the ballbar is fully closed wherever possible.

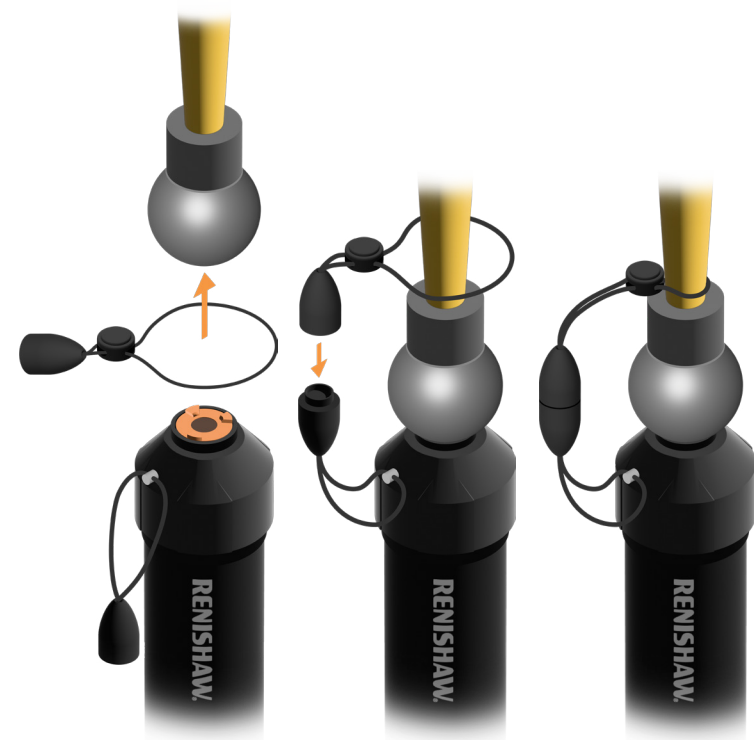
When extending or closing the ballbar, use the thumb tag identified in the image below.



Tether use

Some robot movements may cause the RCS L-90 to detach unintentionally. Secure the ballbar to the robot end-effector with the RCS tether connector to protect it from drop damage.

Adjust the size of the tether loop using the attached toggle and secure it above the datum ball as illustrated below:



Pillar mounting method

The RCS L-series central pillar is magnetic. You can mount the pillar directly to a steel bed (Figure 1), or onto a threaded fixture plate using the RCS base mount (Figure 2). M6 to M10 bolt options are supported, as well as the imperial equivalents of 5/16 in to 13/32 in.

NOTE: Metric bolts are supplied, imperial bolts are not supplied.

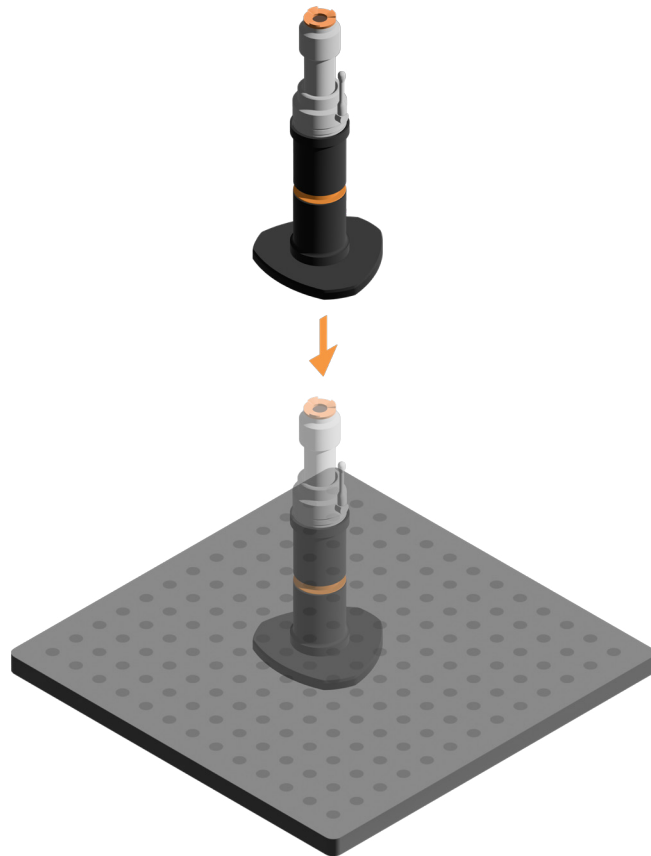


Figure 1 Magnetically mounted

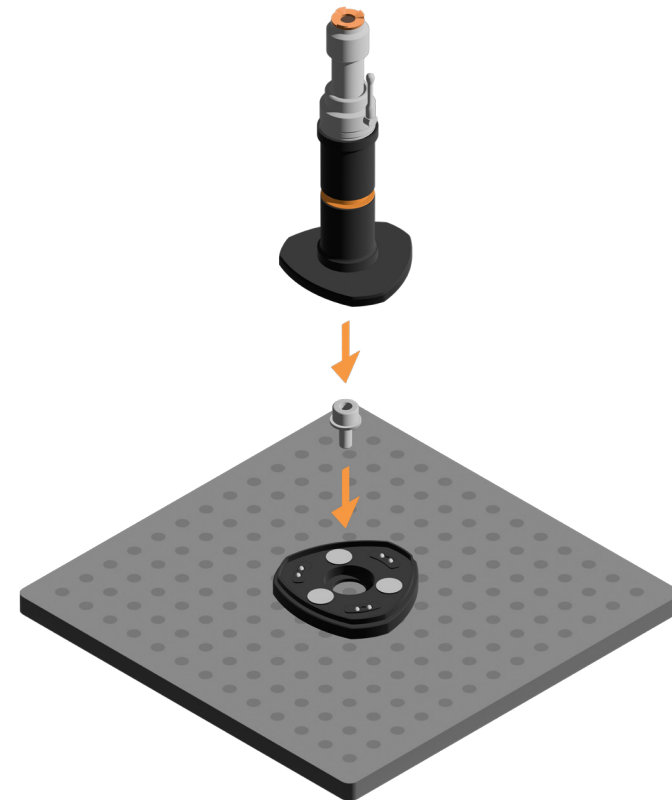
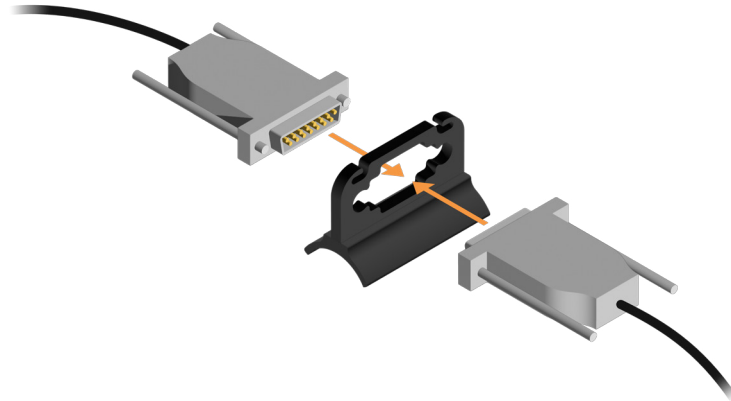


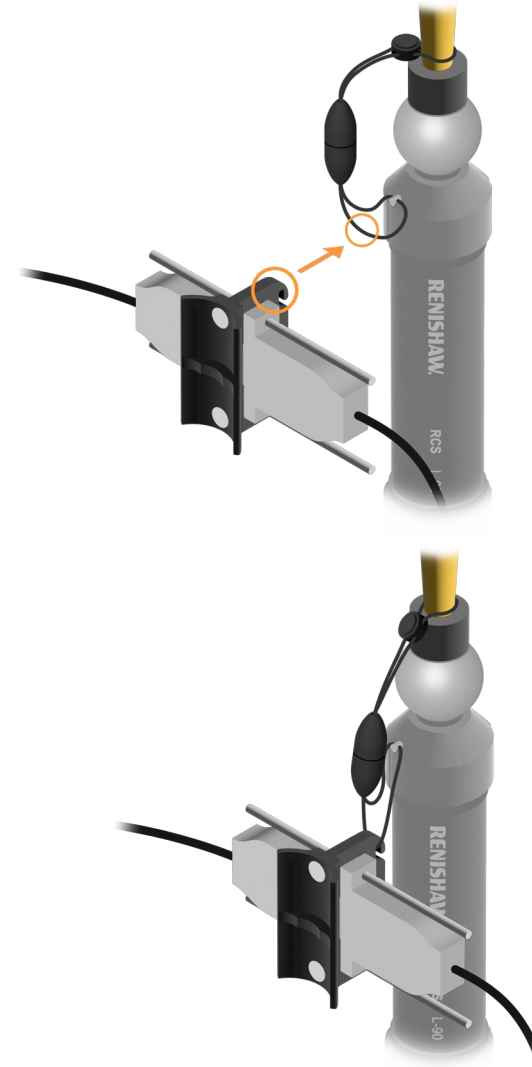
Figure 2 Threaded fixture plate

Cable management prior to part frame set-up

1. Connect the RCS L-90 and L interface cables together through the supplied magnetic cable clip.



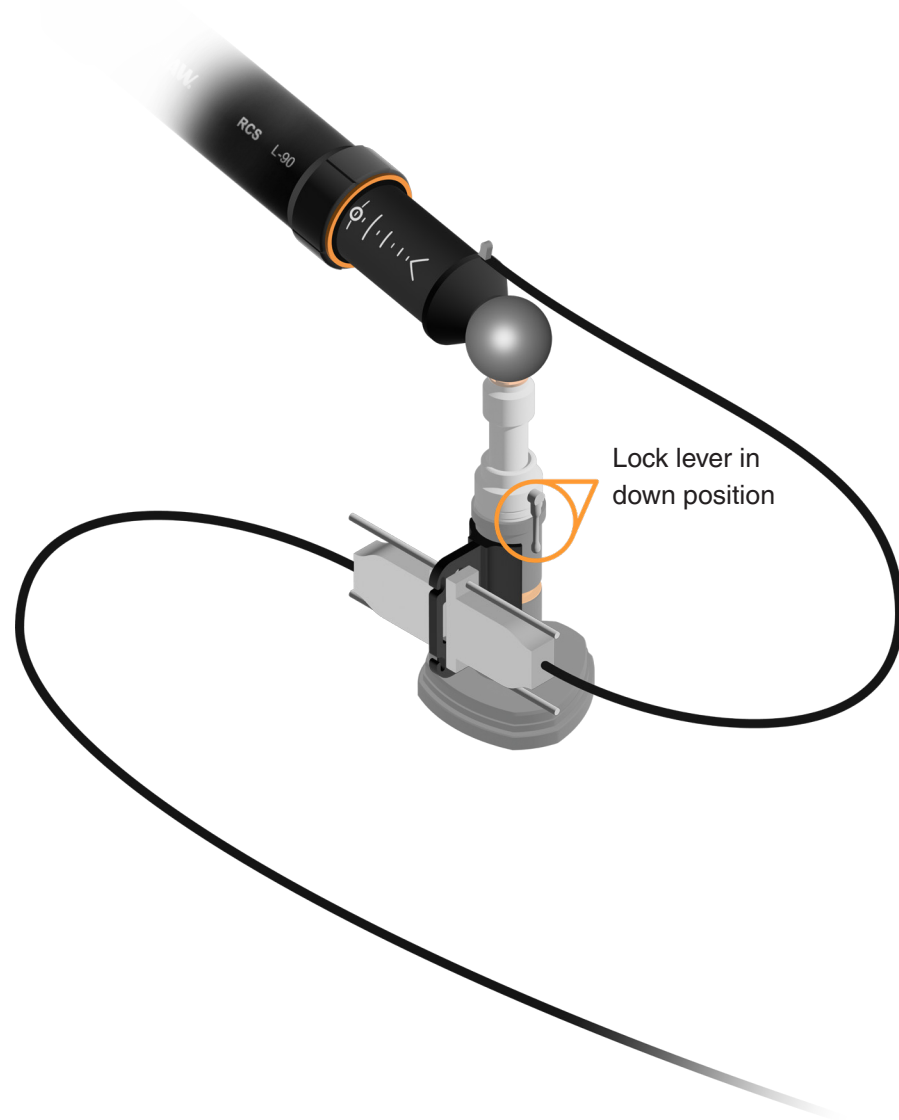
2. Using one of the cable clip hooks, attach to the RCS L-90 tether as illustrated.



Cable positioning prior to volumetric testing

CAUTION: When undertaking a volumetric test, ensure the cable makes a clean 180° loop from the RCS L-90 ballbar in its starting position to a correctly mounted cable clip as illustrated. Failure to do so may lead to snagging of the cable and damage to the equipment.

Prior to running a volumetric test, ensure that the locking lever is in the down position.



RCS product calibration

Calibration certificates

Each RCS L-90 ballbar and calibrator is delivered with a calibration certificate. This demonstrates that the system has been calibrated at the Renishaw factory with traceability to national standards. It is proof of the equipment's performance as tested prior to delivery. Visit the **Calibration product quality and conformance** webpage (www.renishaw.com/en/calibration-product-quality-and-conformance--6872) for more information.

The certificates are important documents which may be required to demonstrate compliance with quality assurance requirements.

Replacement documents can be purchased. Contact Renishaw support for more information.



Certificate content

Each certificate is unique and is identified by a certificate number. All RCS calibration certificates provide the following key information:

- Serial number of calibrated RCS product
- Specific test results
- Statement of accuracy
- Traceability data (calibration details)
- Test conditions and methodology

To enable traceability, details of the test equipment used are given. The date of testing and the date of printing the certificate are separately noted and the results are signed by an authorised Renishaw employee.

Details of the test procedure, test environment, and applicable standards, all in accordance with the requirements of Renishaw's ISO 9001 quality assurance system, are also supplied.

RCS L-90 calibration and homing

Calibration of the RCS L-series system should be completed with the supplied calibrator.

For best results, calibrate the RCS L-90 ballbar using the supplied calibrator regularly and following any notable changes:

- Once every 12 hours
- Before first use in each new location
- After any notable change in room temperature (greater than $\pm 5^{\circ}\text{C}$)

CAUTION: For best results, keep the calibrator in its protective foam tray during use. When removal from the foam tray is required, handle the calibrator with care.

The RCS L-90 ballbar is automatically homed when it passes over a reference mark.



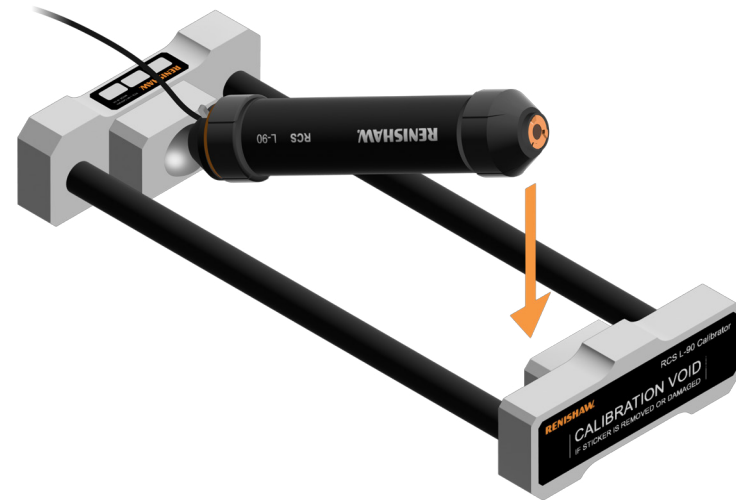
RCS L-90 ballbar calibration procedure

1. To calibrate your RCS L-90, connect it to your computer via the RCS L interface box.
2. Start the RCS Software Suite program.
3. Open or create a robot system.
4. Click the **RCS L-90** icon in the bottom right corner of the screen to check if it needs calibrating.
5. You must home your RCS L-90 before calibrating. For more information, see “RCS L-90 calibration and homing” on page 15.
6. If required, click **Recalibrate** and follow the on-screen instructions. You will need the calibration certificate for your calibrator if you are using it for the first time.

Calibrating your RCS L-90 is recommended for best results. RCS Software Suite will warn you if your ballbar requires calibration before capturing data.

The following instructions ensure best practice is followed when fitting the RCS L-90 ballbar to the calibrator.

1. With the RCS L-90 ballbar closed, carefully attach the cabled end of the RCS L-90 ballbar to one end of the calibrator.



2. Extend the ballbar so that the opposite end of the strut reaches the opposite ball surface of the calibrator. Ensure the RCS L-90 ballbar is magnetically attached to the calibrator.



3. For removal, the process must be reversed. Close the device by retracting the 'non-cable end', before removing from the calibrator.



RCS Software Suite

Software download

Activating a software licence

If you have purchased a software subscription, you will receive an email containing your unique licence details from Renishaw Licensing (licensing@renishaw.com). This email contains your 'Entitlement ID' which is required for the licence activation process.

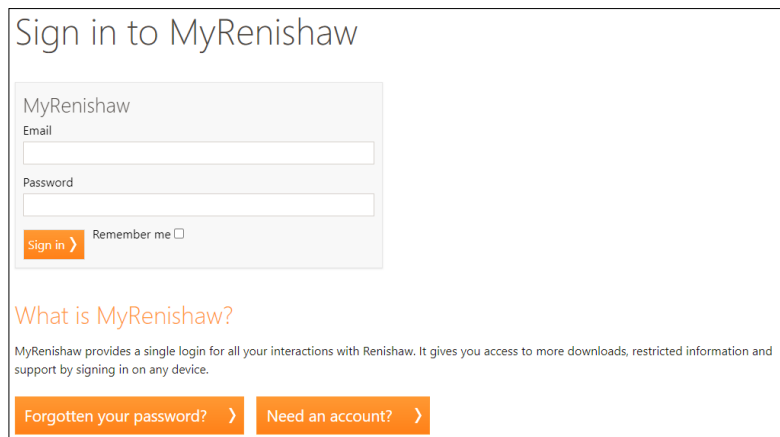
For video guidance on activating a software licence visit www.renishaw.com/rcs-support.

Software download

Visit www.renishaw.com/softwarelicensing/en/software-downloads

If you already have a MyRenishaw account, select the 'Sign in' option. It is important that this step is undertaken first.

1. If you do not have a MyRenishaw account, select 'Need an account?'.
2. Scroll down to 'Robotics' and download the RCS Software Suite.
3. For more information on licensing, visit **Licensing user guides** (www.renishaw.com).

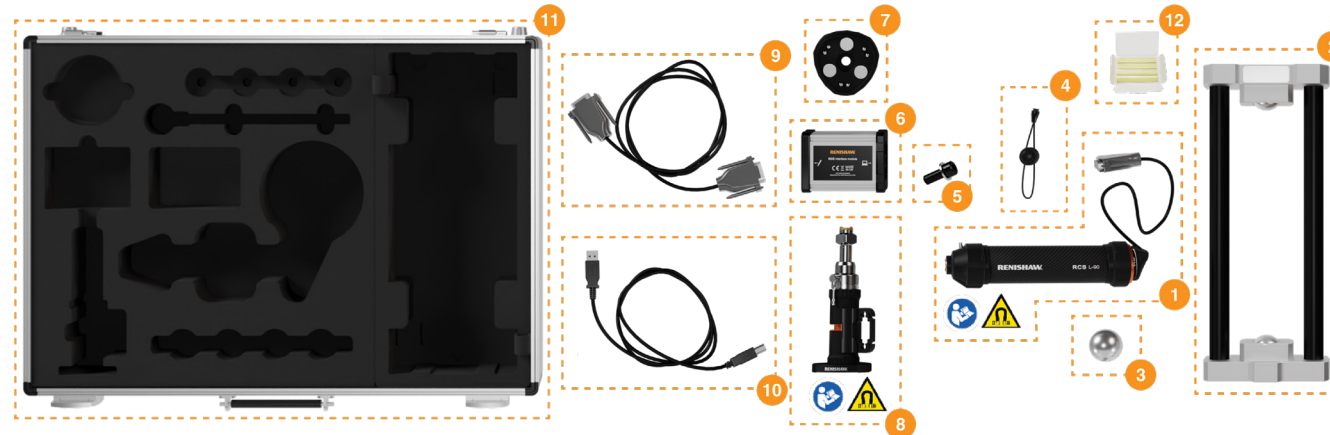


The screenshot shows the 'Sign in to MyRenishaw' page. It features a login form with fields for 'Email' and 'Password'. Below the password field is a 'Remember me' checkbox and a 'Sign in' button with a right-pointing arrow. Underneath the form is a section titled 'What is MyRenishaw?' with a brief description: 'MyRenishaw provides a single login for all your interactions with Renishaw. It gives you access to more downloads, restricted information and support by signing in on any device.' At the bottom of the form area are two buttons: 'Forgotten your password?' and 'Need an account?', both with right-pointing arrows.

Kit contents

RCS L-90 system contents

Kit part number: A-6827-6100



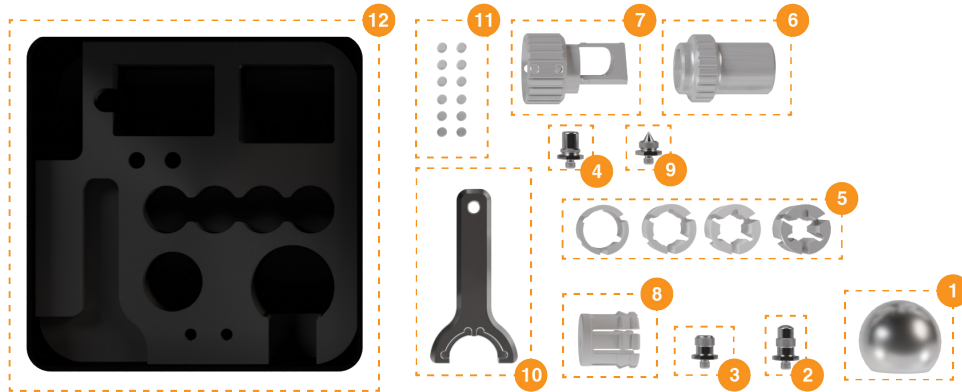
CAUTION: Items identified by this warning label contain magnets and may cause pinch injuries with metal objects or interfere with electronic and implanted medical devices.

	Part name
1	RCS L-90 ballbar
2	RCS L-90 calibrator
3	RCS D-PB35 datum ball
4	RCS tether connector
5	M6, M8 and M10 bolts
6	RCS L interface box
7	RCS base mount
8	RCS L central pillar
9	RCS L-15D extension cable
10	RCS L-USB cable
11	RCS L-90 case
12	RCS cleaning kit

For details of purchasing replacement parts, contact your local Renishaw representative.

Hollow ball clamp kit (metric/imperial) contents

Metric kit part number: A-6827-6110 Imperial kit part number: A-6827-6120



NOTE: Use the TCP clamp tool (10) to avoid injury as some parts contain sharp edges.

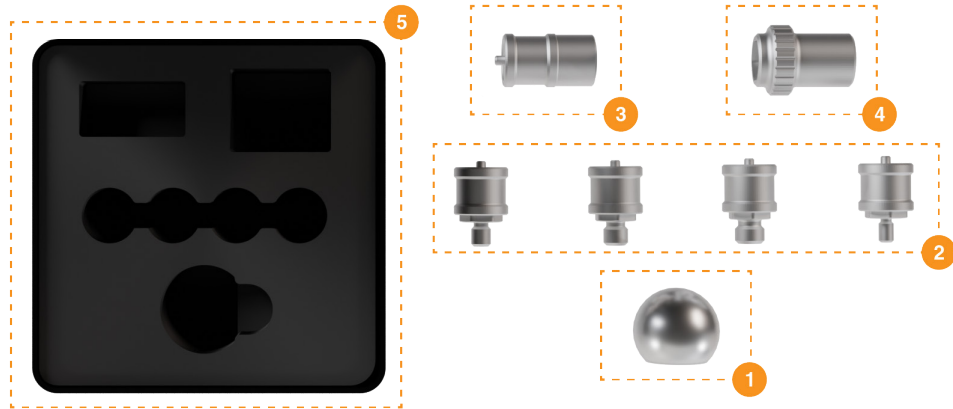
	Part name
1	RCS D-HB35 (hollow ball)
2	TCP setting screw
3	TCP setting screw – flat
4	Universal setting screw cup
5	TCP clamp adaptors – 20 to 16, 20 to 14, 20 to 12 and 20 to 10 (metric)
5	TCP clamp adaptors – 3/4 in to 5/8 in, 3/4 in to 9/16 in, 3/4 in to 1/2 in and 3/4 in to 3/8 in (imperial)
6	RCS hollow ball tool
7	Universal clamp
8	TCP clamp (metric)
8	TCP clamp (imperial)
9	Universal setting screw point
10	TCP clamp tool
11	Grub screws (× 12)
12	Hollow ball kit case

For details of purchasing replacement parts, contact your local Renishaw representative.

Hollow ball threaded kit (metric/imperial) contents

Metric kit part number: A-6827-6160

Imperial kit part number: A-6827-6170

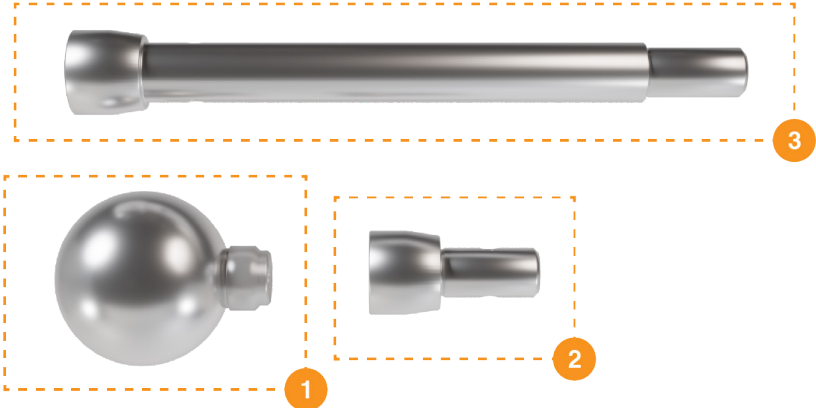


Part name	
1	RCS D-HB35 (hollow ball)
2	Hollow ball adaptors – M6, M8, M10 and M12 (metric)
2	Hollow ball adaptors – 1/4 in, 5/16 in, 3/8 in and 1/2 in (imperial)
3	Hollow ball 50 mm extension
4	Hollow ball tool
5	Hollow ball threaded kit case

For details of purchasing replacement parts, contact your local Renishaw representative.

Solid ball kit contents

Kit part number: A-6827-6130

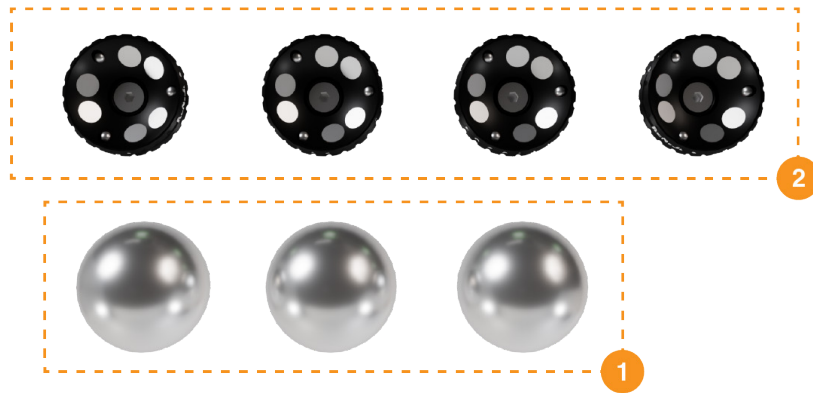


Part name	
1	RCS D-SB35
2	Short connection rod
3	Long connection rod

For details of purchasing replacement parts, contact your local Renishaw representative.

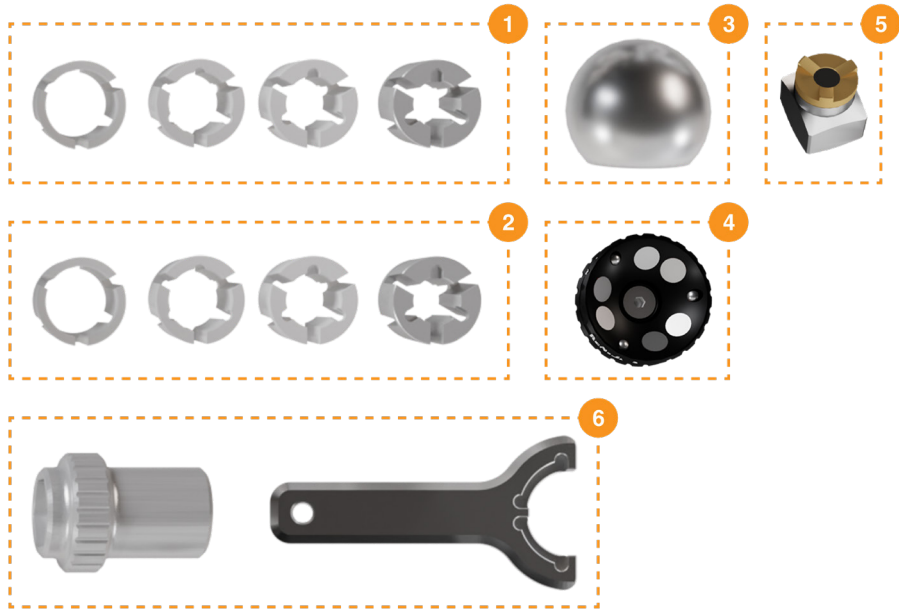
Part frame kit contents

Kit part number: A-6827-6150



Part name	
1	RCS D-PB35 datum ball (× 3)
2	RCS L-BM20 (× 1)
3	Part frame cable tethers
For details of purchasing replacement parts, contact your local Renishaw representative.	

RCS kit spares











	Part number	Part name
1	A-6827-6211	RCS hollow ball clamp spares – 20 to 16, 20 to 14, 20 to 12 and 20 to 10 (metric)
2	A-6827-6212	RCS hollow ball clamp spares – 3/4 in to 5/8 in, 3/4 in to 9/16 in, 3/4 in to 1/2 in and 3/4 in to 3/8 in (imperial)
3	A-6827-6213	RCS D-HB35 hollow ball
4	A-6827-6214	RCS L-BM20 (x1)
5	A-6827-6215	RCS pillar top joint
6	A-6827-6216	RCS universal ball toolkit

For details of purchasing replacement parts, contact your local Renishaw representative.

Interface LED status

On the right panel of the RCS L interface box is a single LED. When the system is powered on this will display red for 10 seconds during boot mode. See the table below for status/indication:

LED status		Description	Actions
Flashes 3 colours once		Start standard mode.	N/A
Red		Error (unseated ballbar, detached ballbar, invalid encoder reading, or invalid encoder signal).	Follow the guidelines in RCS Software Suite to clear the error.
Orange		Requires homing (API connected, no errors).	Extend and collapse the ballbar to find the reference mark.
Cyan		API not connected.	Start the RCS Software Suite.
Cyan flashing		No activity on the USB endpoints.	Ensure RCS Software Suite is connected and running normally, and that the USB cable is not damaged and plugged in fully on both ends. Ensure the RCS L-90 is listed on the device manager (unplug and plug back in the USB cable if necessary).
Blue		Ready (API connected, no errors, homed).	N/A
Green		Streaming.	N/A
Blink		Received a command from the API (except for streaming commands).	N/A

Troubleshooting

Equipment mishandling

Recalibrate the RCS L-90 if it is dropped or mishandled. Particularly if the end joints are exposed to shock loading.



IMPORTANT: Recalibrate the RCS L-90 after any automated (robot-driven) compression beyond its minimum length.

In-test robustness

RCS L-90 has been designed to remain in contact with the datum balls during the specified tests.

If the ballbar detaches from the datum balls during the test process, first check to ensure that the datum balls are undamaged and clean. If this does not resolve the issue, consider reducing the acceleration of the robot.

Further information



For further operational information, refer to the step-by-step guides within the RCS Software Suite. Additional support material is available for download at www.renishaw.com/rcs-support.

If further information is still required please contact the support teams via www.renishaw.com/contact.

This page is intentionally left blank.

www.renishaw.com/contact

 #renishaw

 +44 (0) 1453 524524  uk@renishaw.com

© 2022-2024 Renishaw plc. All rights reserved. This document may not be copied or reproduced in whole or in part, or transferred to any other media or language by any means, without the prior written permission of Renishaw.
RENISHAW® and the probe symbol are registered trade marks of Renishaw plc. Renishaw product names, designations and the mark 'apply innovation' are trade marks of Renishaw plc or its subsidiaries. Other brand, product or company names are trade marks of their respective owners.
Renishaw plc. Registered in England and Wales. Company no: 1106260. Registered office: New Mills, Wotton-under-Edge, Glos, GL12 8JR, UK.

WHILE CONSIDERABLE EFFORT WAS MADE TO VERIFY THE ACCURACY OF THIS DOCUMENT AT PUBLICATION, ALL WARRANTIES, CONDITIONS, REPRESENTATIONS AND LIABILITY, HOWSOEVER ARISING, ARE EXCLUDED TO THE EXTENT PERMITTED BY LAW. RENISHAW RESERVES THE RIGHT TO MAKE CHANGES TO THIS DOCUMENT AND TO THE EQUIPMENT, AND/OR SOFTWARE AND THE SPECIFICATION DESCRIBED HEREIN WITHOUT OBLIGATION TO PROVIDE NOTICE OF SUCH CHANGES.

Part no.: H-6827-8004-02-A
Issued: 06.2024