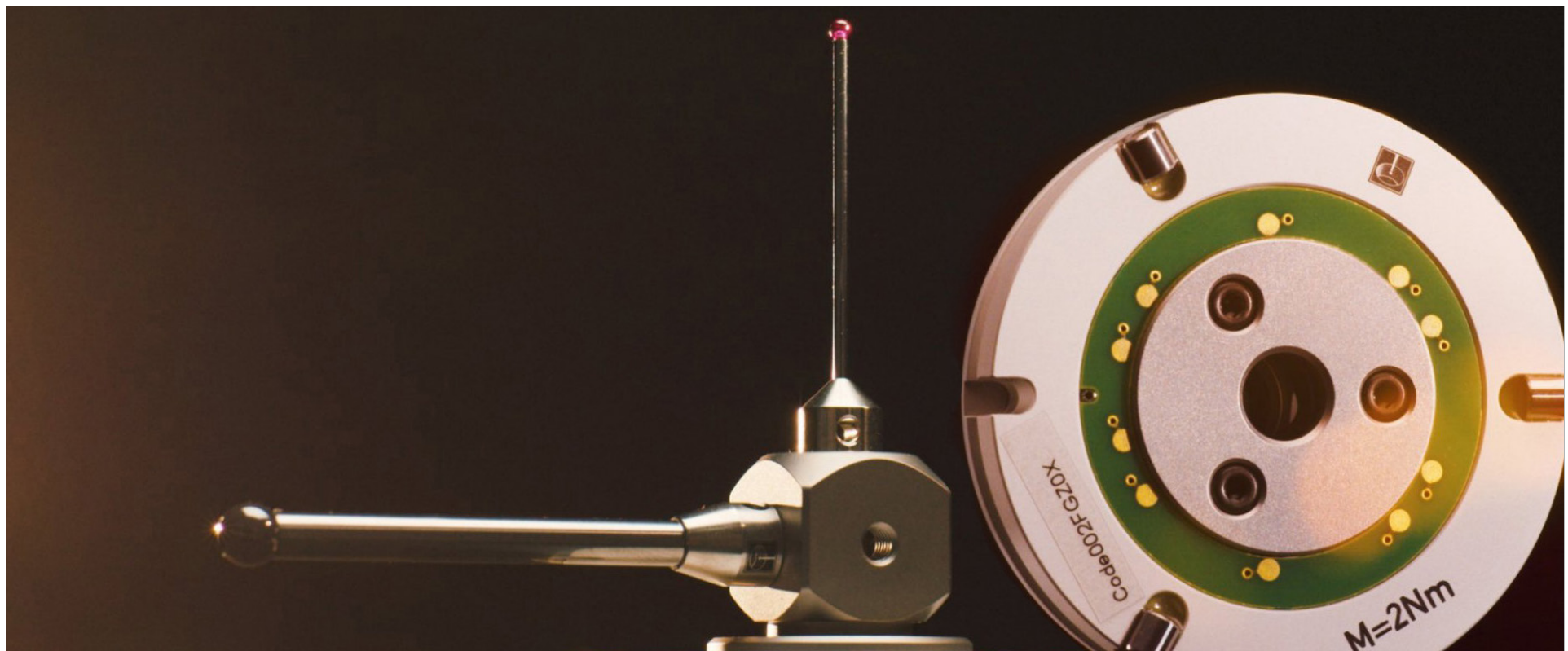


Styli for ZEISS applications



www.renishaw.com/shop/styli

 #renishaw

Contents

Renishaw M5 styli, adaptors and accessories for ZEISS analogue probe systems	7
Carbide styli	7
Styli for ScanMax	9
Tungsten carbide styli with silicon nitride ball	10
Reference styli (red dot)	11
Carbon fibre styli, thermostable	12
Carbon fibre styli, thermostable with silicon nitride ball.	13
Ceramic styli	14
Micro ball styli	15
Cube star.	16
Styli for star configuration, thread length 12.5 mm	17
Long threaded styli, thread length 5 mm.	18
Flat washer for star styli	19
Grooved washer for star styli.	19
Pin for star styli	19
Styli for holder	20
5 way stylus holder	21
Styli for holder 90°.	21
Angle for styli 90°	22
Holder for swivel styli.	22
Styli for swivelling configurations.	22
Spherical disc styli.	23
Spherical disc styli ScanMax.	23
Styli for thread measurement	24
Styli pointer	24
Star styli	25

Spherical disc	26
Rotary adaptor	26
Knuckle, swing range 180°	27
Rotary knuckle, slewing range 360°, swing range 180°	27
Cube	27
4-way cube	28
Cube with angle	29
Double cube	30
Cube extension	30
Extensions	31
Thread measuring gauge	34
Screw for cube and spherical disc	34
Adaptor	35
Adaptor with thread/conical shaft base	35
Holder for digitilisation styli	35
Pin type spanner 2.9	36
Calibration sphere	36
Magnet base for calibration sphere	37
Renishaw adaptor plates for ZEISS probe heads	38
Adaptor plate for measuring systems VAST/MT	38
Adaptor plate for dynamic systems (ST)	38
Adaptor plate for Prismo dynamic systems (ST)	39
Extension for adaptor plate	40
Renishaw M3 styli, adaptors and accessories for ZEISS analogue probe systems	41
Carbide styli XXT	41
Reference styli XXT (red dot)	42
Carbon fibre styli XXT thermostable	43
Carbon fibre styli XXT thermostable with silicon nitride ball	44

Carbon fibre clamping styli XXT thermostable	44
Carbon fibre clamping styli XXT thermostable with silicon nitride ball	45
Carbon fibre styli for 1/4 star styli XXT thermostable	45
Carbon fibre styli for 1/4 star styli carbon fibre XXT thermostable with silicon nitride ball	46
Carbon fibre styli for 1/2 star styli XXT 90° thermostable	46
Carbon fibre styli for 1/2 star styli XXT 90° thermostable with silicon nitride ball	47
Carbon fibre styli for 1/2 star styli XXT 180° thermostable	47
Carbon fibre styli for 1/2 star styli XXT 180° thermostable with silicon nitride ball	48
Carbon fibre extension XXT	48
Adaptor plate VAST XXT TL1	49
Reference adaptor plate VAST XXT TL1	49
Adaptor plate VAST XXT TL1 with star adaptor	49
Adaptor plate for XXT TL2	50
Reference adaptor plate for XXT TL2	50
Adaptor plate VAST XXT TL3	50
Reference adaptor plate VAST XXT TL3	51
Adaptor plate VAST XXT TL3 star	51
Clamping screw XXT	51
Clamping screw XXT with internal M3 thread	52
Cube XXT 90°, 1-way	52
Cube XXT 180°, 2-way	52
Cube XXT star	53
Cube XXT, 6-star	53
Cube XXT, 8-star	53
Knuckle XXT	54
Carbide styli	55
Ceramic styli	56
Cylinder styli	57

Extension	58
5-way styli holder, rotary	58
Holder for styli 90°	58
Rotary knuckle	59
Adaptor	59
Renishaw tools and accessories for assembly of M2, M3 and M5 styli to ZEISS measuring probe heads	59
Stylus tool	59
Stylus assembly tool	60
Allen keys	60
Renishaw M2 styli, adaptors and accessories for ZEISS analogue probe systems	61
Carbide styli	61
Ceramic styli	62
Stainless steel styli	63
Star styli	63
Styli for star configuration	64
Spherical disc styli	64
Spherical disc styli	65
Cylinder styli	65
Extension	66
5-way styli holder, rotary	66
5-way styli holder, small/large	67
Holder for styli 90°	67
Rotary knuckle	67
Rotary knuckle, slewing range 360°, swing range 180°	68

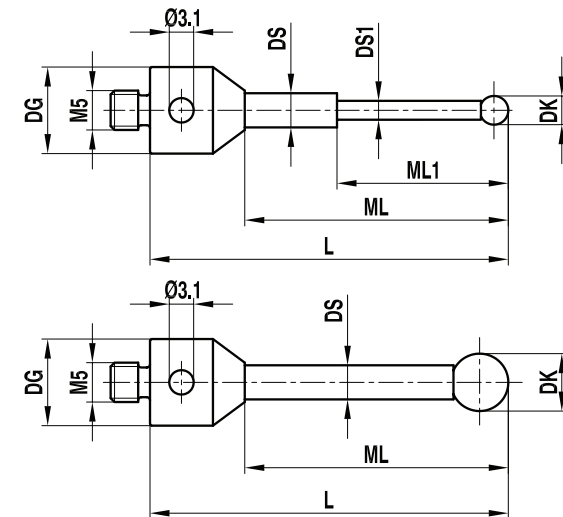
NOTE: Schematics are not shown to scale.

Renishaw M5 styli, adaptors and accessories for ZEISS analogue probe systems

Carbide styli

Thread	M5
Base	Titanium
Stem	Tungsten carbide
Ball diameter up to 12 mm	Ruby
Ball diameter more than 12 mm	Ceramic

Renishaw part number	ZEISS part number	DK (mm)	ML1/ML (mm)	DG/D (mm)	L (mm)	DS1/DS (mm)	Weight (g)
A-5555-2388	–	1.0	10.0	11	20.0	0.8	6.0
A-5555-1495	–	1.0	20.0	11	30.0	0.8	6.0
A-5555-1679	–	1.0	5.0/10.0	11	20.0	0.8/1.0	6.0
A-5555-1054	–	1.0	5.0/15.0	11	25.0	0.8/1.0	6.0
A-5004-4166	–	1.0	5.0/20.0	11	30.0	0.8/1.0	6.0
A-5003-0145	–	1.5	8.0/20.0	11	30.0	1.0/1.5	6.0
A-5555-1077	–	2.0	10.0	11	20.0	1.0	6.0
A-5555-1563	–	2.0	15.0	11	25.0	1.0	6.0
A-5555-1060	–	2.0	20.0	11	30.0	1.5	7.0
A-5555-0952	–	2.0	30.0	11	40.0	1.5	7.0
A-5555-0018	602030-9010-000	3.0	15.0	11	25.0	2.0	4.0
A-5555-0019	600342-8020-000	3.0	23.5	11	33.5	2.0	4.5
A-5555-0020	602030-9011-000	3.0	40.0	11	50.0	2.0	5.2
A-5555-0021	600342-8021-000	3.0	48.0	11	58.0	2.0	5.5
A-5555-1508	–	3.5	48.0	11	58.0	2.0	6.0
A-5003-7499	–	3.5	65.0	11	75.0	2.5	6.5
A-5555-1425	–	3.5	85.0	11	100.0	2.5	7.0
A-5555-0974	–	4.0	20.0	11	30.0	2.0	4.4
A-5555-0022	600342-8025-000	4.0	23.5	11	33.5	2.0	4.5

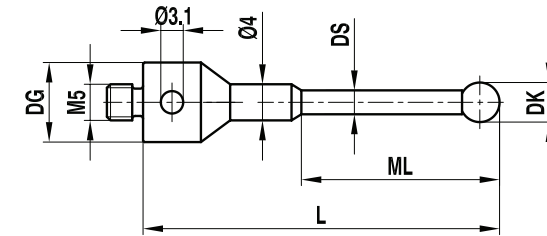


Renishaw part number	ZEISS part number	DK (mm)	ML1/ML (mm)	DG/D (mm)	L (mm)	DS1/DS (mm)	Weight (g)
A-5555-0023	602030-9012-000	4.0	54.0	11	64.0	2.0	5.9
A-5555-0498	612030-9661-000	4.5	43.0	11	53.0	3.5	8.0
A-5555-0805	–	5.0	20.0	11	30.0	3.5	8.0
A-5555-0024	602030-9013-000	5.0	40.0	11	50.0	3.5	9.0
A-5555-0025	600342-8022-000	5.0	43.0	11	53.0	3.5	9.8
A-5555-0026	602030-9015-000	5.0	65.0	11	75.0	3.5	12.5
A-5555-1271	–	5	90.0	11	100.0	3.5	15.0
A-5555-0027	600342-8026-000	6	44.0	11	54.0	3.5	10.0
A-5555-0028	600342-8027-000	7	45.0	11	55.0	3.5	10.0
A-5555-0029	600342-8023-000	8	50.5	11	63.5	6.0	24.8
A-5555-0030	–	8	41.5	19	63.5	6.0	36.7
A-5555-0031	–	8	61.0	11	74.0	6.0	29.5
A-5555-0032	602030-9016-000	8	62.0	11	75.0	6.0	30.0
A-5555-0033	602030-9017-000	8	87.0	11	100.0	6.0	40.0
A-5555-0034	600342-8024-000	8	101.5	11	114.5	6.0	45.8
A-5555-0035	600342-8124-000	8	92.5	19	114.5	6.0	57.5
A-5555-0946	–	8	137.0	11	150.0	6.0	60.0
A-5555-1618	–	8	40.0	11	50.0	5.0	24.0
A-5555-0036	–	9	51.5	11	64.5	6.0	26.3
A-5555-0037	600342-8128-000	9	42.5	19	64.5	6.0	36.8
A-5555-0038	600342-8029-000	10	52.5	11	65.5	6.0	25.8
A-5555-0039	–	10	43.5	19	65.5	6.0	37.8
A-5555-0040	602030-9018-000	10	105.0	11	118.0	6.0	47.3
A-5555-2389	–	10	137.0	11	150.0	6.0	62.0
A-5555-2390	–	10	175.0	11	200.0	6.0	75.0
A-5555-2391	–	12	52.0	11	65.5	6.0	28.0
A-5555-1628	626115-1200-118	12	105.0	11	118.0	6.0	49.0
A-5555-2392	–	12	175.0	11	200.0	6.0	76.0
A-5555-2144	–	15	52.5	11	65.5	6.0	29.0
A-5555-2270	–	15	105.0	11	118.0	6.0	50.0
A-5555-2393	–	15	175.0	11	200.0	6.0	78.0

Styli for ScanMax

Thread	M5
Base	Stainless steel
Stem	Tungsten carbide
Ball	Tungsten carbide

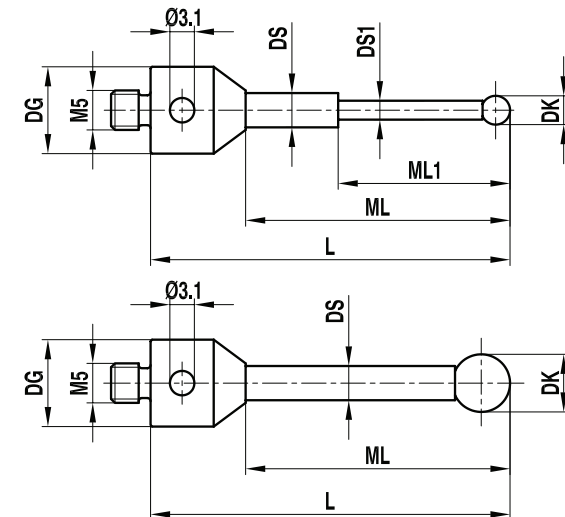
Renishaw part number	ZEISS part number	DK (mm)	ML1/ML (mm)	DG/D (mm)	L (mm)	DS1/DS (mm)	Weight (g)
A-5555-2394	000000-1078-483	3	23.5	11	33.5	2	4.5
A-5555-3949	000000-1073-344	5	95.0	11	105	3.5	15.0
A-5555-2395	612030-9649-000	8	50.5	11	63.0	6.0	25.0



Tungsten carbide styli with silicon nitride ball

Thread	M5
Base	Titanium
Stem	Tungsten carbide
Ball	Silicon nitride
Additional notes	Cup mounted

Renishaw part number	ZEISS part number	DK (mm)	ML1/ML (mm)	DG/D (mm)	L (mm)	DS1/DS (mm)	Weight (g)
A-5555-3777	–	1.0	5.0/10.0	11	20.0	0.8/1.0	3.5
A-5555-3778	–	1.0	5.0/15.0	11	25.0	0.8/1.0	3.5
A-5555-3779	–	1.0	5.0/20.0	11	30.0	0.8/1.0	3.8
A-5555-3780	–	1.5	8.0/20.0	11	30.0	1.0/1.5	3.5
A-5555-3781	–	2.0	10.0	11	20.0	1.0	3.5
A-5555-3782	–	2.0	15.0	11	25.0	1.0	3.5
A-5555-3783	–	2.0	20.0	11	30.0	1.5	3.8
A-5555-3784	–	2.0	30.0	11	40.0	1.5	4.0
A-5555-3785	626115-0303-025	3.0	15.0	11	25.0	2.0	4.0
A-5555-3786	–	3.0	23.5	11	33.5	2.0	4.5
A-5555-3787	626115-0302-050	3.0	40.0	11	50.0	2.0	5.3
A-5555-3734	626115-0300-058	3.0	48.0	11	58.0	2.0	5.5
A-5555-3788	626115-0400-034	4.0	23.5	11	33.5	2.0	4.5
A-5555-3789	–	4.0	54.0	11	64.0	2.0	5.9
A-5555-3790	–	5.0	20.0	11	30.0	3.5	8.0
A-5555-3791	626115-0501-050	5.0	40.0	11	50.0	3.5	9.0
A-5555-3792	–	5.0	43.0	11	53.0	3.5	9.8
A-5555-3793	626115-0500-075	5.0	65.0	11	75.0	3.5	12.5
A-5555-3794	626115-0501-100	5.0	90.0	11	100.0	3.5	18.0
A-5555-3795	–	6.0	44.0	11	54.0	3.5	10.0
A-5555-3796	–	7.0	45.0	11	55.0	3.5	10.0
A-5555-3797	626115-0800-064	8.0	50.5	11	63.5	6.0	36.6
A-5555-3798	626115-0800-075	8.0	62.0	11	75.0	6.0	29.4

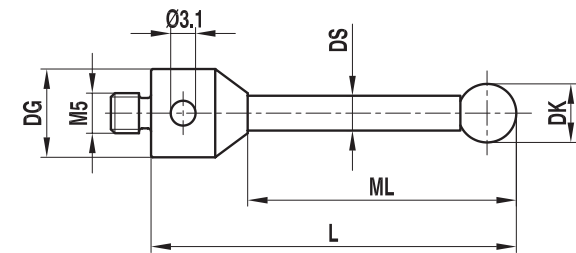


Renishaw part number	ZEISS part number	DK (mm)	ML1/ML (mm)	DG/D (mm)	L (mm)	DS1/DS (mm)	Weight (g)
A-5555-3799	–	8.0	87.0	11	100.0	6.0	39.9
A-5555-3800	626115-0800-115	8.0	101.5	11	114.5	6.0	45.7
A-5555-3801	–	9.0	51.5	11	64.5	6.0	26.3
A-5555-3802	–	10.0	52.5	11	65.5	6.0	25.8
A-5555-3803	–	10.0	105.0	11	118	6.0	47.3
A-5555-3804	–	10.0	135.0	11	150.0	6.0	60.0

Reference styli (red dot)

Thread	M5
Base	Stainless steel
Stem	Stainless steel
Ball	Ruby

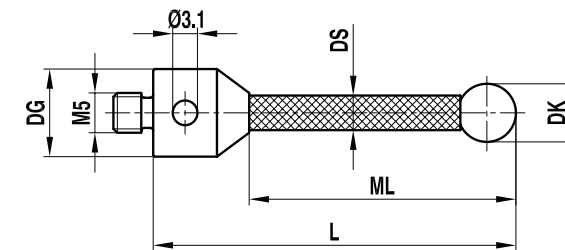
Renishaw part number	ZEISS part number	DK (mm)	ML1/ML (mm)	DG/D (mm)	L (mm)	DS1 DS (mm)	Weight (g)
A-5555-3805	600342-8023-010	8	50.5	11	63.5	6.0	24.8



Carbon fibre styli, thermostable

Thread	M5
Base	Titanium
Stem	Carbon fibre
Ball	Ruby
Additional notes	Thermostable and peg mounted

Renishaw part number	ZEISS part number	DK (mm)	ML1/ML (mm)	DG/D (mm)	L (mm)	DS1/DS (mm)	Weight (g)
A-5555-1916	626105-0300-025	3	15.0	11	25.0	2	4.0
A-5555-1847	626105-0300-033	3	23.5	11	33.5	2	4.2
A-5555-0730	626105-0300-050	3	40.0	11	50.0	2	4.5
A-5555-3806	626105-0300-058	3	48.0	11	58.0	2	4.9
A-5555-1917	626105-0400-033	4	23.5	11	33.5	2	4.2
A-5555-0731	626105-0400-064	4	54.0	11	64.0	2	4.6
A-5555-0732	626105-0510-050	5	40.0	11	50.0	3.5	4.8
A-5555-2013	–	5	43.0	11	53.0	3.5	4.9
A-5555-0735	626105-0510-075	5	65.0	11	75.0	3.5	5.0
A-5555-0410	626105-0510-100	5	90.0	11	100.0	3.5	5.4
A-5555-0733	626105-0610-054	6	44.0	11	54.0	3.5	4.9
A-5555-0734	626105-0710-055	7	45.0	11	55.0	3.5	4.9
A-5555-3807	626105-0820-063	8	50.5	11	63.5	6	7.0
A-5555-3997	626105-0820-075	8	62.0	11	75.0	6	7.3
A-5555-1918	626105-0820-100	8	87.0	11	100.0	6	7.5
A-5555-3808	626105-0820-114	8	101.5	11	114.5	6	9.5
A-5555-9361	626105-0820-150	8	137.0	11	150.0	6	11
A-5555-1112	626105-0820-200	8	187.0	11	200.0	6	13
A-5555-3809	–	9	51.5	11	64.5	6	7.2
A-5555-1027	626105-1020-065	10	52.5	11	65.5	6	8.0

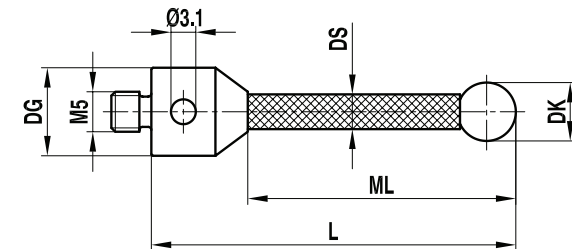


Renishaw part number	ZEISS part number	DK (mm)	ML1/ML (mm)	DG/D (mm)	L (mm)	DS1/DS (mm)	Weight (g)
A-5555-3998	626105-1020-118	10	105.0	11	118.0	6	14.5
A-5555-0643	626105-1020-150	10	137.0	11	150.0	6	16.0
A-5555-0644	626105-1020-200	10	187.0	11	200.0	6	19.0

Carbon fibre styli, thermostable with silicon nitride ball

Thread	M5
Base	Titanium
Stem	Carbon fibre
Ball	Silicon nitride
Additional notes	Peg mounted up to 6 mm diameter

Renishaw part number	ZEISS part number	DK (mm)	ML1/ML (mm)	DG/D (mm)	L (mm)	DS1/DS (mm)	Weight (g)
A-5555-3812	626105-0301-025	3	15.0	11	25.0	2	4.0
A-5555-1828	626105-0301-033	3	23.5	11	33.5	2	4.2
A-5555-3813	626105-0301-050	3	40.0	11	5.00	2	4.5
A-5555-3814	626105-0301-058	3	48.0	11	58.0	2	4.9
A-5555-3815	626105-0301-033	4	23.5	11	33.5	2	4.2
A-5555-2396	626105-0401-064	4	54.0	11	64.0	2	4.6
A-5555-3817	626105-0511-050	5	40.0	11	50.0	3.5	4.8
A-5555-2397	-	5	43.0	11	53.0	3.5	4.9
A-5555-2012	626105-0511-075	5	65.0	11	75.0	3.5	5.0
A-5555-1065	626105-0511-100	5	90.0	11	100.0	3.5	5.4
A-5555-2398	-	6	44.0	11	54.0	3.5	4.9
A-5555-2399	-	7	45.0	11	55.0	3.5	4.9
A-5555-0720	626105-0821-063	8	50.5	11	63.5	6	7.0
A-5555-2400	-	8	62.0	11	75.0	6	7.3
A-5555-3820	626105-0821-100	8	87.0	11	100.0	6	7.5
A-5555-3821	626105-0821-114	8	101.5	11	114.5	6	9.5

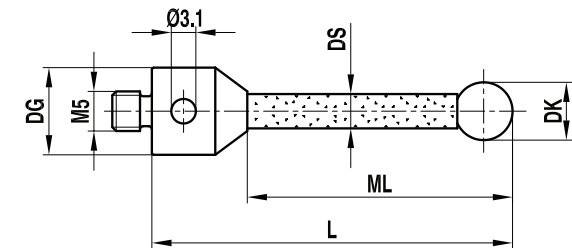


Renishaw part number	ZEISS part number	DK (mm)	ML1/ML (mm)	DG/D (mm)	L (mm)	DS1/DS (mm)	Weight (g)
A-5555-1169	626105-0821-150	8	137.0	11	150.0	6	11.0
A-5555-1179	626105-0821-200	8	187.0	11	200.0	6	13.0
A-5555-2402	–	9	51.5	11	64.5	6	7.2
A-5555-2403	626105-1021-065	10	52.5	11	65.5	6	8.0
A-5555-3824	626105-1021-118	10	105.0	11	118.0	6	14.5
A-5555-3825	626105-1021-150	10	137.0	11	150.0	6	16.0
A-5555-1171	626105-1021-200	10	187.0	11	200.0	6	19.0

Ceramic styli

Thread	M5
Base	Titanium
Stem	Ceramic
Ball	Ruby
Additional notes	Cup mounted

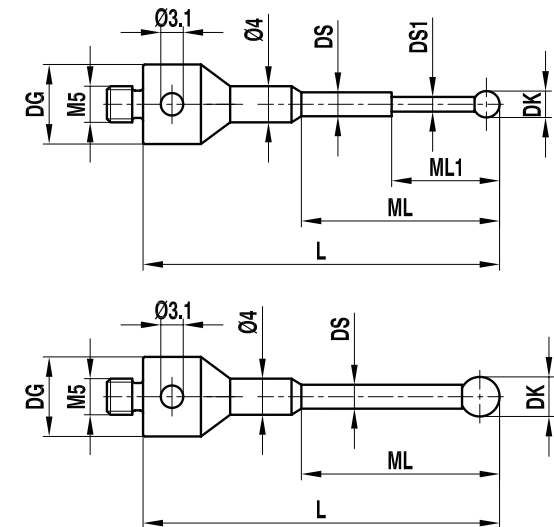
Renishaw part number	ZEISS part number	DK (mm)	ML1/ML (mm)	DG/D (mm)	L (mm)	DS1/DS (mm)	EAL/B (mm)	Weight (g)
A-5555-0041	600342-8013-000	5	43.0	11	53.0	3.5		4.6
A-5555-0042	600342-8016-000	6	44.0	11	54.0	3.5		4.7
A-5555-0043	600342-8017-000	7	45.0	11	55.0	3.5		5.0
A-5555-0044	600342-8014-000	8	50.5	11	63.5	6.0		8.3
A-5555-0049	–	8	41.5	19	63.5	6.0		33.0
A-5555-0050	600342-8015-000	8	101.5	11	114.5	6.0		11.8
A-5555-0051	–	8	92.5	19	114.5	6.0		38.0
A-5555-0045	600342-8018-000	9	51.5	11	64.5	6.0		8.4
A-5555-0046	–	9	42.5	19	64.5	6.0		21.0
A-5555-0047	600342-8019-000	10	52.5	11	65.5	6.0		9.0
A-5555-0048	–	10	43.5	19	65.5	6.0		38.0



Micro ball styli

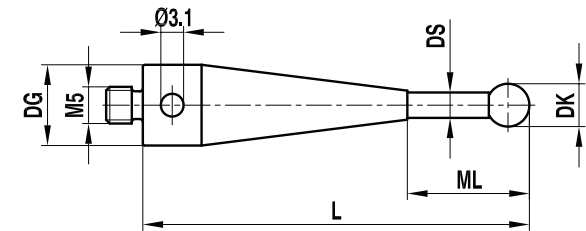
Thread	M5
Base	Stainless steel
Stem	Tungsten carbide
Ball	Ruby
Additional notes	Peg mounted except for ball diameters 0.2 mm - 0.6 mm

Renishaw part number	ZEISS part number	DK (mm)	ML1/ML (mm)	DG/D (mm)	L (mm)	DS1/DS (mm)	Weight (g)
A-5555-2404	-	0.2	2.3/12.0	11	32	0.18/1.0	6.5
A-5555-2405	-	0.25	2.3/12.0	11	32	0.18/1.0	6.5
A-5555-2407	-	0.3	2.3/12.0	11	32	0.2/1.0	6.5
A-5555-1773	-	0.5	2.5/12.0	11	32	0.3/1.0	6.5
A-5555-1095	000000-1120-407	0.6	4.6/12.0	11	32	0.4/1.0	6.5
A-5555-0052	602030-8060-000	0.8	4.8/12.0	11	32	0.6/1.0	6.8
A-5555-0053	602030-8061-000	1.0	5.0/12.0	11	32	0.8/1.0	6.8
A-5555-0054	602030-8062-000	1.35	12.0	11	32	1.0	6.9
A-5555-0055	602030-8063-000	1.35	19.0	11	44	1.0	7.5
A-5555-0056	602030-8064-000	1.5	12.0	11	32	1.0	6.5
A-5555-0057	602030-8065-000	1.5	19.0	11	44	1.0	7.5
A-5555-0058	602030-8066-000	2.0	12.0	11	32	1.5	7.3
A-5555-0059	602030-8067-000	2.0	19.0	11	44	1.5	8.0
A-5555-0060	602030-8068-000	2.0	33.0	11	58	1.5	8.0
A-5555-0061	602030-8069-000	2.5	12.0	11	32	1.5	7.3
A-5555-0062	602030-8070-000	2.5	19.0	11	44	1.5	8.0
A-5555-0063	602030-8071-000	2.5	33.0	11	58	1.5	8.0



Thread	M5
Base	Titanium (conic)
Stem	Tungsten carbide
Ball	Ruby
Additional notes	Peg mounted

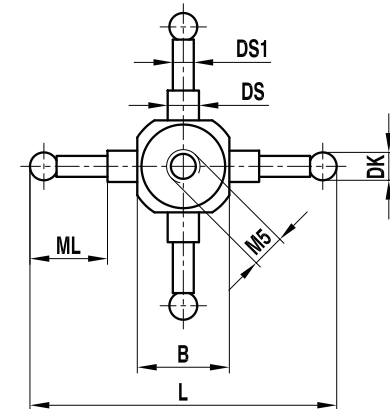
Renishaw part number	ZEISS part number	DK (mm)	ML1/ML (mm)	DG/D (mm)	L (mm)	DS1/DS (mm)	Weight (g)
A-5555-0064	602030-9019-000	1.0	5	11	55	0.8	11.9
A-5555-0065	602030-9020-000	1.5	5	11	55	1.0	11.9
A-5555-0066	602030-9021-000	2.0	5	11	55	1.5	11.9
A-5555-0067	–	2.5	5	11	55	2.0	11.9
A-5555-0068	602030-9023-000	3.5	10	11	55	2.5	11.9



Cube star

Thread	M5
Base	Titanium
Stem	Tungsten carbide
Ball	Ruby

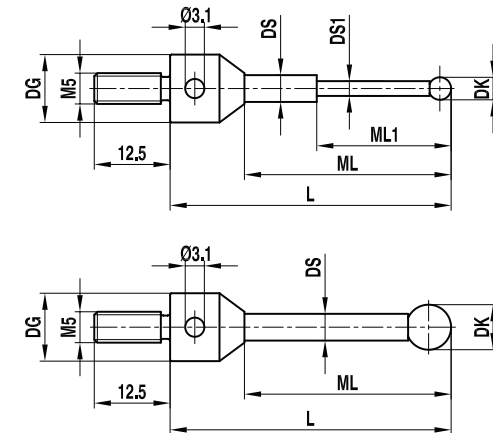
Renishaw part number	ZEISS part number	DK (mm)	ML1/ML (mm)	DG/D (mm)	L (mm)	DS1/DS (mm)	EAL/B (mm)	Weight (g)
A-5555-0069	–	1.0	7.0		45	0.8/2.0	15	17.3
A-5555-0070	602030-9025-000	1.5	7.5		45	1.0/2.0	15	17.3
A-5555-0071	–	2.0	7.5		45	1.5/2.0	15	17.3
A-5555-0072	602030-9027-000	2.5	8.0		45	1.5/2.0	15	17.3
A-5555-0073	–	3.5	15.0		45	2.0	15	17.3



Styli for star configuration, thread length 12.5 mm

Thread	M5
Base	Stainless steel
Stem	Tungsten carbide
Ball	Ruby
Additional notes	Peg mounted except for ball diameters 0.3 mm – 0.6 mm

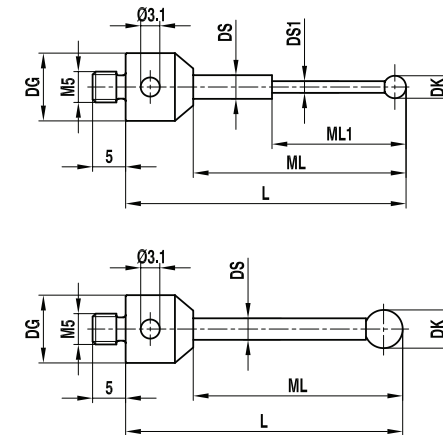
Renishaw part number	ZEISS part number	DK (mm)	ML1/ML (mm)	DG/D (mm)	L (mm)	DS1/DS (mm)	Weight (g)
A-5555-0084	600342-8250-000	0.3	2.3/12.8	11	21.8	0.2/1.0	6
A-5555-0085	600342-8251-000	0.5	2.5/13.0	11	22.0	0.3/1.0	6
A-5555-0086	600342-8252-000	0.6	4.6/13.1	11	22.1	0.4/1.0	6
A-5555-0087	600342-8253-000	0.8	4.8/13.3	11	22.3	0.6/1.0	6
A-5555-0088	600342-8254-000	1.0	5.0/13.5	11	22.5	0.8/1.0	6
A-5555-0078	600342-8200-000	1.35	23.85	11	32.85	1.0	6
A-5555-0079	600342-8201-000	1.5	24.0	11	33.0	1.0	7
A-5555-0080	600342-8202-000	2.0	24.5	11	33.5	1.5	7
A-5555-0081	600342-8203-000	2.5	25.0	11	34.0	1.5	7
A-5555-2408	–	3.0	16.5	11	25.5	2.0	7
A-5555-0082	600342-8221-000	3.0	16.5	19	34.5	2.0	20
A-5555-2409	–	5.0	25.5	11	34.5	3.5	9
A-5555-0083	600342-8222-000	5.0	25.5	19	43.5	3.5	23



Long threaded styli, thread length 5 mm

Thread	M5
Base	Stainless steel
Stem	Tungsten carbide
Ball	Ruby
Additional notes	Peg mounted except for ball diameters 0.3 mm – 0.6 mm

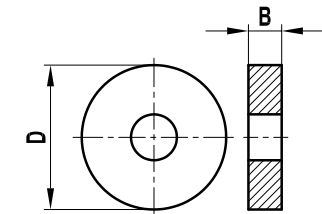
Renishaw part number	ZEISS part number	DK (mm)	ML1/ML (mm)	DG/D (mm)	L (mm)	DS1/DS (mm)	Weight (g)
A-5555-0331	626115-0030-022	0.3	2.3/12.8	11	21.8	0.2/1.0	6
A-5555-1157	626115-0050-022	0.5	2.5/13.0	11	22.0	0.3/1.0	6
A-5555-1842	626115-0060-022	0.6	4.6/13.1	11	22.1	0.4/1.0	6
A-5555-1844	626115-0080-022	0.8	4.8/13.3	11	22.3	0.6/1.0	6
A-5555-1843	626115-0100-022	1.0	5.0/13.5	11	22.5	0.8/1.0	6
A-5555-0799	626115-0140-033	1.35	23.85	11	32.85	1.0	6
A-5555-0329	626115-0150-033	1.5	24.0	11	33.0	1.0	7
A-5555-0965	–	1.5	7.0/24.0	11	33.0	1.0/1.5	7
A-5555-3826	–	2.0	24.5	11	33.5	1.0	7
A-5555-9325	626115-0200-034	2.0	24.5	11	33.5	1.5	7
A-5555-3827	–	2.5	25.0	11	34.0	1.0	7
A-5555-0686	626115-0250-034	2.5	25.0	11	34.0	1.5	7
A-5555-3828	–	3.0	16.5	11	25.5	2.0	9
A-5555-2444	–	5.0	25.5	11	34.5	3.5	9



Flat washer for star styli

Thread	M5
Washer	Stainless steel

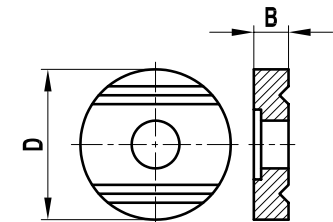
Renishaw part number	ZEISS part number	DG/D (mm)	EAL/B (mm)	Weight (g)
A-5555-0089	600341-0140-000	11	1.5	1
A-5555-0090	600341-0141-000	19	2.0	4



Grooved washer for star styli

Thread	M5
Washer	Stainless steel

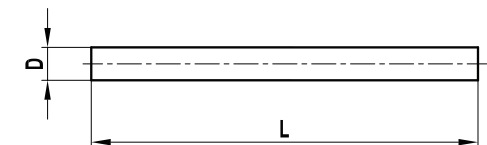
Renishaw part number	ZEISS part number	DG/D (mm)	EAL/B (mm)	Weight (g)
A-5555-0091	600341-0150-000	11	2	1
A-5555-0092	600341-0151-000	19	4	7



Pin for star styli

Thread	M5
Pin	Tungsten carbide

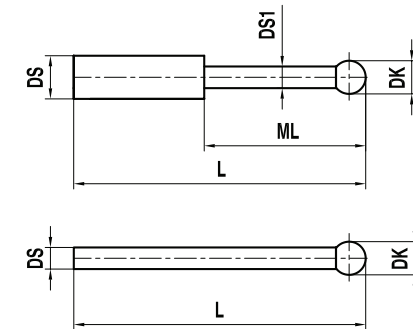
Renishaw part number	ZEISS part number	DG/D (mm)	L (mm)	Weight (g)
A-5555-0093	600341-0520-000	1.0	10	1
A-5555-0094	600341-0521-000	1.5	10	1
A-5555-0095	600341-0522-000	2.0	18	1
A-5555-0096	600341-0523-000	3.5	18	3



Styli for holder

Stem	Tungsten carbide
Ball	Ruby
Additional notes	Peg mounted except for ball diameters 0.2 mm – 0.6 mm

Renishaw part number	ZEISS part number	DK (mm)	ML1/ML (mm)	L (mm)	DS1/DS (mm)	Weight (g)
A-5555-1141	–	0.2	2.3	15.2	0.18/1.0	1
A-5555-2410	–	0.25	2.35	15.25	0.18/1.0	1
A-5555-0108	600341-8450-000	0.3	2.3	15.3	0.2/1.0	1
A-5555-2411	–	0.4	2.5	15.4	0.3/1.0	1
A-5555-0109	600341-8451-000	0.5	2.5	15.5	0.3/1.0	1
A-5555-0110	600341-8452-000	0.6	4.6	15.6	0.4/1.0	1
A-5555-1277	–	0.7	4.6	15.7	0.4/1.0	1
A-5555-0111	600341-8453-000	0.8	4.8	15.8	0.6/1.0	1
A-5555-0107	600341-8454-000	1.0	5.0	16.0	0.8/1.0	1
A-5555-0112	600341-8500-000	1.35	–	26.35	1.0	1
A-5555-0113	600341-8501-000	1.5	–	26.5	1.0	1
A-5555-2412	–	2.0	–	27.0	1.0	1
A-5555-0114	600341-8502-000	2.0	–	27.0	1.5	1
A-5555-2413	–	2.5	–	27.5	1.0	1
A-5555-0115	600341-8503-000	2.5	–	27.5	1.5	1
A-5555-0116	600341-8510-000	3.0	–	38.0	2.0	2
A-5555-0117	600341-8511-000	5.0	–	45.0	3.5	6

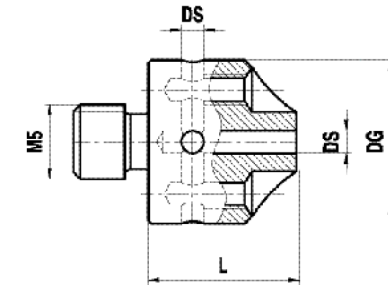


5 way stylus holder

Thread	M5
Holder	Stainless steel

Renishaw part number	ZEISS part number	DG/D (mm)	L (mm)	DS1/DS (mm)	Weight (g)
A-5555-0105	600341-8367-000	11	10	1.0	3.2
A-5555-0106	600341-8368-000	11	10	1.5	3.2
A-5555-1245	626115-5000-199	11	10	2.0	3.2

NOTE: Fits with styli A-5555-0116 (See “Styli for holder” on page 20)

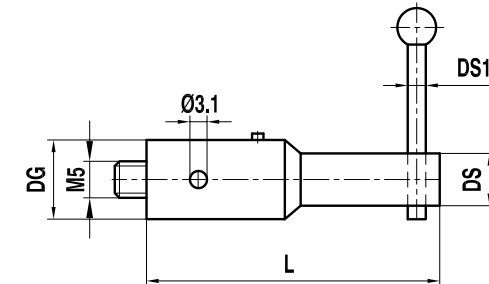


Styli for holder 90°

Thread	M5
Pin	Tungsten carbide

Renishaw part number	ZEISS part number	DG/D (mm)	L (mm)	DS1/DS (mm)	Weight (g)
A-5555-0104	600341-8160-000	11	45	1-1.5/6	16

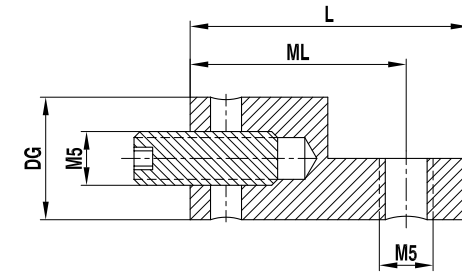
NOTE: Fits with styli A-5555-0116 (See “Styli for holder” on page 20)



Angle for styli 90°

Thread	M5
Angle	Titanium

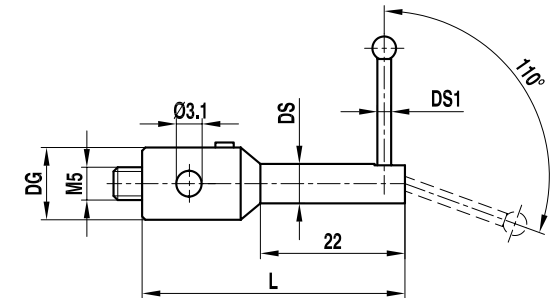
Renishaw part number	ZEISS part number	ML1/ML (mm)	DG/D (mm)	L (mm)	Weight (g)
A-5555-1097	626105-6901-001	17	11	22.5	6



Holder for swivel styli

Thread	M5
Holder	Stainless steel

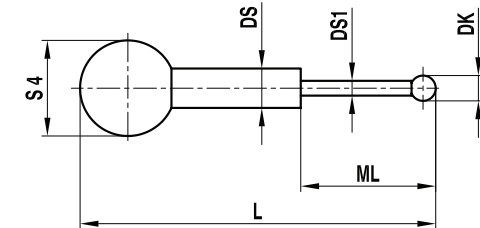
Renishaw part number	ZEISS part number	DG/D (mm)	L (mm)	DS1/DS (mm)	Weight (g)
A-5555-0118	600341-8180-000	11	40	1-1.5/6	15



Styli for swivelling configurations

Thread	M5
S4 Ball	Steel
Stem	Tungsten carbide
Ball	Ruby
Additional notes	Peg mounted

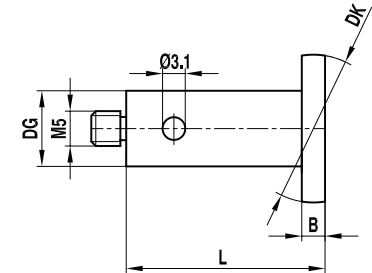
Renishaw part number	ZEISS part number	DK (mm)	ML1/ML (mm)	DG/D (mm)	L (mm)	DS1/DS (mm)	Weight (g)
A-5555-0119	600341-8183-000	1	5.0	1.0	17.5	0.8/1.0	1
A-5555-0120	600341-8185-000	2	24.5	1.5	28.5	1.5	1



Spherical disc styli

Thread	M5
Base	Aluminium
Disc	Steel

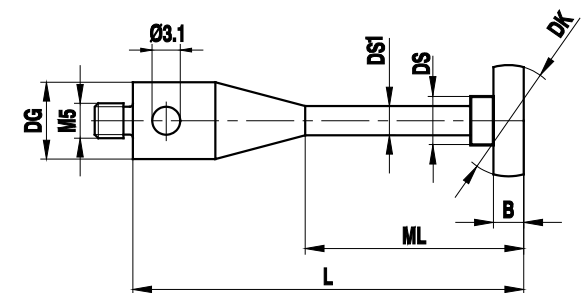
Renishaw part number	ZEISS part number	DK (mm)	DG/D (mm)	L (mm)	EAL/B (mm)	Weight (g)
A-5555-0121	600341-8090-000	10	7	21.5	1.5	3
A-5555-0122	600341-8095-000	15	10	21.5	1.5	6
A-5555-0124	000000-1165-629	15	7	40.0	1.0	5
A-5555-0123	602030-8091-000	20	7	60.0	1.0	8



Spherical disc styli ScanMax

Thread	M5
Base	Titanium
Disc	Steel

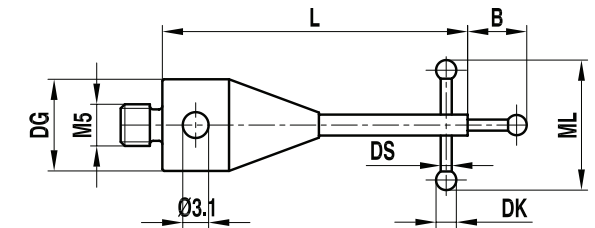
Renishaw part number	ZEISS part number	DK (mm)	ML1/ML (mm)	DG/D (mm)	L (mm)	DS1/DS (mm)	EAL/B (mm)	Weight (g)
A-5555-2415	632001-8209-000	10	55	11	65	3.5/5.5	1	11
A-5555-2416	626115-1505-065	15	55	11	65	3.5/5.5	1	18
A-5555-2417	632001-8207-000	20	55	11	65	3.5/5.5	1	19
A-5555-2418	632001-8208-000	25	55	11	65	3.5/10.0	1	22
A-5555-2419	632001-8210-000	30	55	11	65	3.5/10.0	2	39
A-5555-2420	632001-8213-000	40	55	11	65	3.5/10.0	2	57
A-5555-2421	000000-1019-819	10	55	11	65	3.5/5.5	2	17
A-5555-2422	000000-1019-820	15	55	11	65	3.5/5.5	2	20
A-5555-2423	000000-1019-822	20	55	11	65	3.5/5.5	2	25
A-5555-2424	000000-1019-824	25	55	11	65	3.5/10.0	2	32



Styli for thread measurement

Thread	M5
Base	Stainless steel
Stem	Tungsten carbide
Ball	Ruby
Additional notes	Peg mounted except for ball diameters 0.5 mm

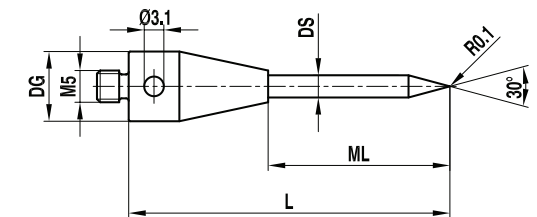
Renishaw part number	ZEISS part number	DK (mm)	ML1/ML (mm)	DG/D (mm)	L (mm)	DS1/DS (mm)	EAL/B (mm)	Weight (g)
A-5555-3999	–	0.5	3.5	11	40	0.4	1.9	7
A-5555-0077	–	0.8	5	11	40	0.6	1.9	7
A-5555-0074	–	1.35	9	11	40	1.0	2.0	11
A-5555-0076	–	1.8	10	11	40	1.0	2.0	12
A-5555-0075	–	2.3	12	11	40	1.0	2.5	13



Styli pointer

Thread	M5
Base	Titanium
Stem	Tungsten carbide

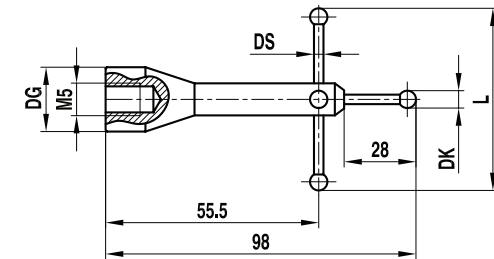
Renishaw part number	ZEISS part number	DK (mm)	ML1/ML (mm)	DG/D (mm)	L (mm)	DS1/DS (mm)	Weight (g)
A-5555-0216	600342-8051-000	30°	39	11	61	3.5	12



Star styli

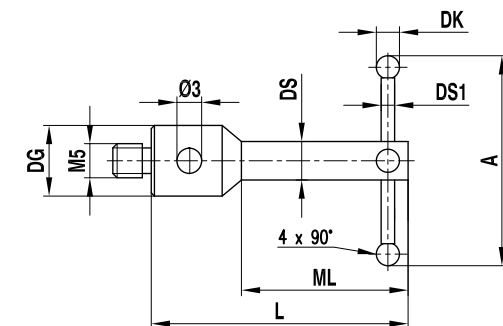
Thread	M5
Base	Aluminium
Stem	Tungsten carbide
Ball	Ruby
Additional notes	Peg mounted

Renishaw part number	ZEISS part number	DK (mm)	DG/D (mm)	L (mm)	DS1/DS (mm)	Weight (g)
A-5555-0215	600331-8093-000	5	19	80	3.5	70



Thread	M5
Base	Stainless steel
Stem	Tungsten carbide
Ball	Ruby
Additional notes	Thermostable and peg mounted except for 0.6 mm ball diameters

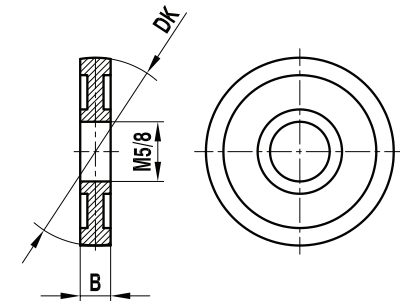
Renishaw part number	ZEISS part number	DK (mm)	ML1/ML (mm)	DG/D (mm)	L (mm)	DS1/DS (mm)	A (mm)	Weight (g)
A-5555-1153	–	0.6	30	11	40	0.4/4.0	8	9
A-5555-1135	–	0.8	30	11	40	0.6/4.0	8	9
A-5555-3839	–	1.0	30	11	40	0.8/4.0	8	9



Spherical disc

Thread	M5
Disc	Stainless steel

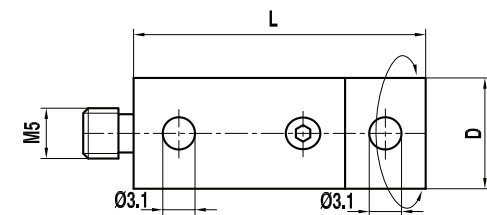
Renishaw part number	ZEISS part number	DK (mm)	Thread/bore hole (mm)	EAL/B (mm)	Weight (g)
A-5555-0196	602030-0004-000	15	M5	4	5
A-5555-0197	602030-0005-000	20	M5	4	9
A-5555-0198	602030-0006-000	30	M5	4	21
A-5555-0199	602030-0007-000	40	M5	5	42
A-5555-0200	602030-0008-000	50	M5	5	64
A-5555-0201	602030-0009-000	60	M5	5	89
A-5555-0203	602030-0011-000	20	8	4	8
A-5555-0204	600341-0200-000	20	8	2	4
A-5555-0205	600341-0203-000	30	8	4	10
A-5555-0206	600341-0204-000	40	8	4	21
A-5555-0207	600341-0205-000	50	8	5	36
A-5555-0208	600341-0206-000	60	8	6	59



Rotary adaptor

Thread	M5
Adaptor	Titanium

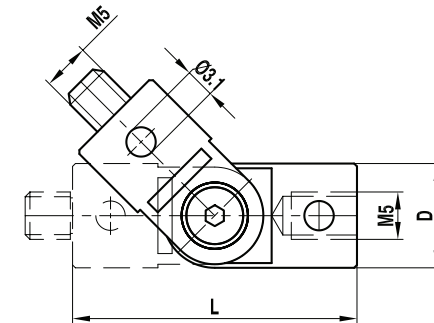
Renishaw part number	ZEISS part number	DG/D (mm)	L (mm)	Weight (g)
A-5555-0713	-	11	29	13
A-5555-0099	-	18	30	43



Knuckle, swing range 180°

Thread	M5
Knuckle	Titanium

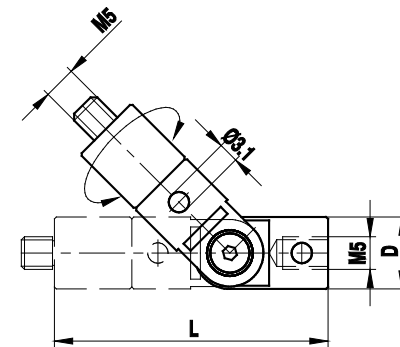
Renishaw part number	ZEISS part number	DG/D (mm)	L (mm)	Weight (g)
A-5555-0218	600342-9002-000	11	30	11.2
A-5555-0219	–	18	36	37.2



Rotary knuckle, slewing range 360°, swing range 180°

Thread	M5
Knuckle	Titanium

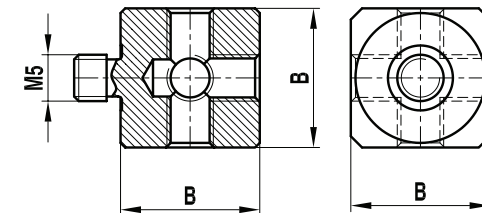
Renishaw part number	ZEISS part number	DG/D (mm)	L (mm)	Weight (g)
A-5555-1093	–	11	51	19
A-5555-3841	–	18	58	58



Cube

Thread	M5
Cube	Titanium

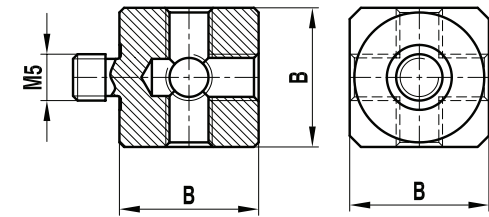
Renishaw part number	ZEISS part number	EAL/B (mm)	Weight (g)
A-5555-0189	600341-8361-000	15	12.6
A-5555-1478*	626115-6110-001	15	12.6
A-5555-0190	600341-8002-000	20	31.5
A-5004-2109*	626115-6110-003	20	31.5



NOTE: Screwset enclosed.

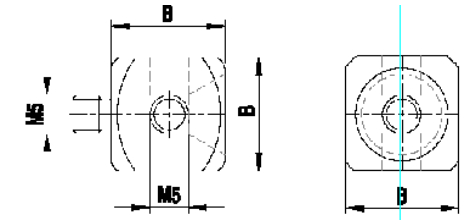
Thread	M5
Cube	Aluminium

Renishaw part number	ZEISS part number	EAL/B (mm)	Weight (g)
A-5555-0191	602030-8363-000	15	7.5
A-5555-0192	602030-8362-000	20	20.0



Thread	M5
Cube	Titanium

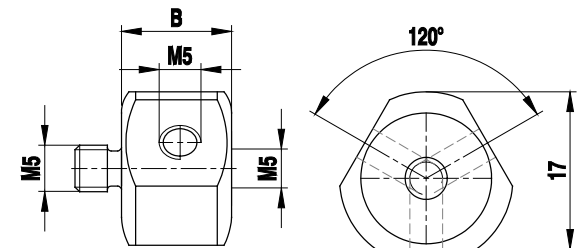
Renishaw part number	ZEISS part number	EAL/B (mm)	Weight (g)
A-5555-1892	626115-6110-002	15	13



4-way cube

Thread	M5
Cube	Titanium

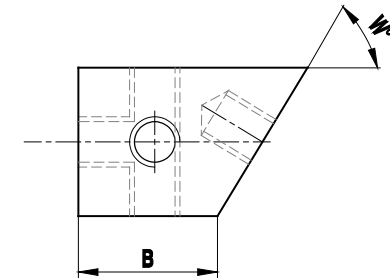
Renishaw part number	ZEISS part number	EAL/B (mm)	Weight (g)
A-5555-1551	-	15	13



Cube with angle

Thread	M5
Cube	Titanium

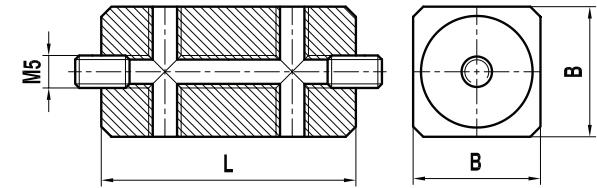
Renishaw part number	ZEISS part number	W (°)	EAL/B (mm)	Weight (g)
A-5555-2425	–	87.5	15	13.0
A-5555-2426	–	85.0	15	13.4
A-5555-2427	–	82.5	15	13.8
A-5555-2428	–	80.0	15	14.2
A-5555-2429	–	77.5	15	14.6
A-5555-2430	–	75.0	15	15.0
A-5555-2431	–	72.5	15	15.4
A-5555-2432	–	70.0	15	15.8
A-5555-2433	–	67.5	15	16.2
A-5555-2434	–	65.0	15	16.6
A-5555-2435	–	62.5	15	17.0
A-5555-2436	–	60.0	15	17.4
A-5555-2437	–	57.5	15	17.8
A-5555-2438	–	55.0	15	18.2
A-5555-2439	–	52.5	15	18.6
A-5555-2440	–	50.0	15	19.0
A-5555-2441	–	47.5	15	19.4
A-5555-2442	–	45.0	15	19.8



Double cube

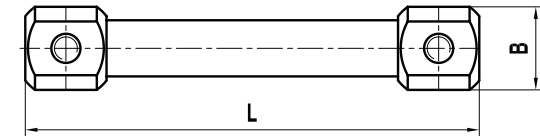
Thread	M5
Cube	Titanium

Renishaw part number	ZEISS part number	L (mm)	EAL/B (mm)	Weight (g)
A-5555-0194	-	40	20	64



Cube extension

Thread	M5
Cube	Titanium



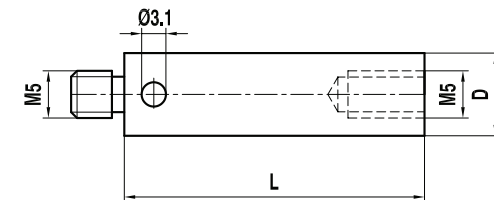
Renishaw part number	ZEISS part number	L (mm)	EAL/B (mm)	Weight (g)
A-5555-0217	–	120	20	87

Extensions

Thread	M5
Extension	Titanium

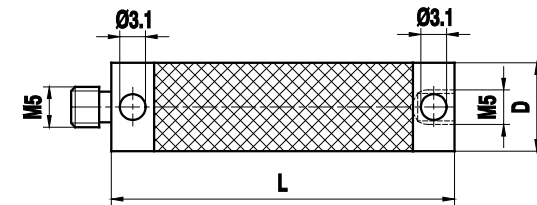
Renishaw part number	ZEISS part number	DG/D (mm)	L (mm)	Weight (g)
A-5555-0143	602030-9044-000	11	10	3.6
A-5555-0144	602030-9045-000	11	15	5.7
A-5555-0145	602030-9046-000	11	20	7.8
A-5555-0146	602030-9047-000	11	25	9.7
A-5555-0950	000000-1251-674	11	30	12.1
A-5555-0619	–	11	35	13.9
A-5555-0148	602030-9049-000	11	40	16.1
A-5555-0150	602030-9051-000	11	50	12.7
A-5555-0152	602030-9053-000	11	60	13.6
A-5555-0154	602030-9055-000	11	75	15.0
A-5555-0156	602030-9057-000	11	80	15.6
A-5555-0158	602030-9059-000	11	90	16.2
A-5555-0160	602030-9061-000	11	100	17.3
A-5555-0162	602030-9063-000	11	120	19.4
A-5555-0164	602030-9065-000	11	150	22.4
A-5555-0147	602030-9048-000	18	25	27.3
A-5555-0149	602030-9050-000	18	40	44.7
A-5555-0151	602030-9052-000	18	50	36.3
A-5555-0153	602030-9054-000	18	60	38.3
A-5555-0155	602030-9056-000	18	75	42.8

Renishaw part number	ZEISS part number	DG/D (mm)	L (mm)	Weight (g)
A-5555-0157	602030-9058-000	18	80	44.2
A-5555-0159	602030-9060-000	18	90	47.3
A-5555-0161	602030-9062-000	18	100	49.4
A-5555-0163	602030-9064-000	18	120	55.1
A-5555-0165	602030-9066-000	18	150	65.0
A-5555-0166	602030-9067-000	18	200	79.3
A-5555-0167	602030-9068-000	18	250	92.4
A-5555-0168	602030-9069-000	18	300	107.0



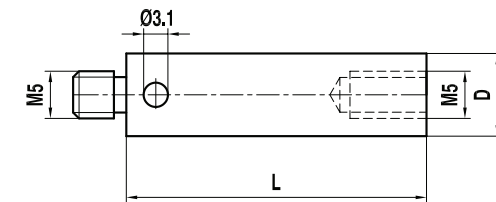
Thread	M5
Extension	Thermostable carbon fibre, titanium ends

Renishaw part number	ZEISS part number	DG/D (mm)	L (mm)	Weight (g)
A-5555-0647	626107-1040-100	11	40	9
A-5555-0648	626107-1050-100	11	50	10
A-5555-0649	626107-1060-100	11	60	11
A-5555-0623	626107-1070-100	11	70	11
A-5555-0650	626107-1080-100	11	80	12
A-5555-0651	626107-1090-100	11	90	13
A-5555-0652	626107-1100-100	11	100	14
A-5555-0425	626107-1120-100	11	120	15
A-5555-0424	626107-1150-100	11	150	17
A-5555-0653	626107-1180-100	11	180	19
A-5555-0654	626107-1200-100	11	200	21
A-5555-0655	626107-1250-100	11	250	24
A-5555-0642	626107-1300-100	11	300	27
A-5555-0656	626107-1400-100	11	400	34
A-5555-0620	626107-2040-100	20	40	26
A-5555-0657	626107-2050-100	20	50	28
A-5555-0658	626107-2060-100	20	60	29
A-5555-0621	626107-2080-100	20	80	32
A-5555-0659	626107-2100-100	20	100	34
A-5555-0660	626107-2120-100	20	120	37
A-5555-0661	626107-2150-100	20	150	41
A-5555-0662	626107-2180-100	20 </tr		



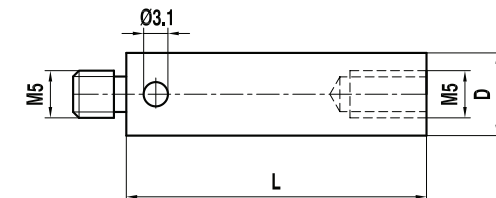
Thread	M5
Extension	Aluminium, stainless steel ends

Renishaw part number	ZEISS part number	DG/D (mm)	L (mm)	Weight (g)
A-5003-0850	–	11	20	5.7
A-5555-0135	600341-8261-000	11	40	10.3
A-5555-0134	600341-8262-000	11	60	15.4
A-5555-0133	600341-8263-000	11	80	20.6
A-5555-0132	600341-8264-000	11	100	25.6
A-5555-0131	600341-8265-000	11	120	30.9
A-5555-0130	600341-8425-000	20	40	29.0
A-5555-0671	–	20	50	33.3
A-5555-0129	600341-8424-000	20	60	37.7
A-5555-0128	600341-8423-000	20	80	44.8
A-5555-0127	600341-8422-000	20	100	50.7
A-5555-0126	600341-8421-000	20	150	67.4
A-5555-0125	600341-8420-000	20	200	84.7



Thread	M5
Extension	Stainless steel

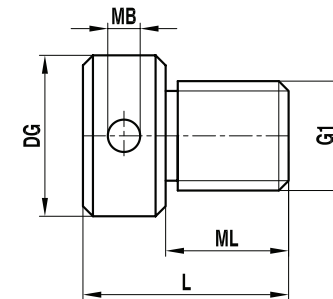
Renishaw part number	ZEISS part number	DG/D (mm)	L (mm)	Weight (g)
A-5555-0142	600341-0250-000	11	10	6
A-5555-0141	600341-0251-000	11	15	9
A-5555-0140	600341-0252-000	11	20	13
A-5555-0139	600341-0254-000	11	40	28
A-5555-0138	600341-0256-000	11	60	42
A-5555-0137	600341-0258-000	11	80	58
A-5555-0136	600341-0260-000	11	100	73



Thread measuring gauge

Thread	M5
Guage	Stainless steel

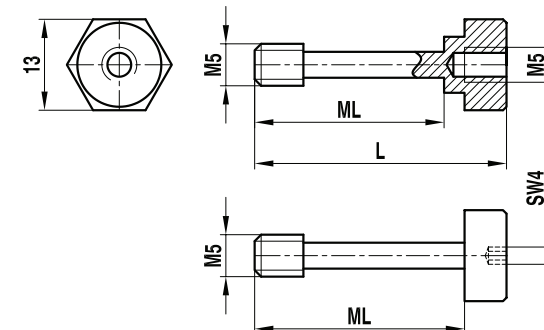
Renishaw part number	ZEISS part number	ML1/ML (mm)	DG/D (mm)	L (mm)	MB (mm)	G1 (mm)	Weight (g)
A-5555-0209	–	10	10	16	1.8	M4	4
A-5555-0210	–	10	10	16	1.8	M5	4
A-5555-0211	–	12	12	18	1.8	M6	7
A-5555-0212	–	12	15	20	3.0	M8	13
A-5555-0213	–	15	18	25	3.0	M10	25
A-5555-0214	–	15	20	25	3.0	M12	33



Screw for cube and spherical disc

Thread	M5
Extension	Thermostable carbon fibre, titanium ends

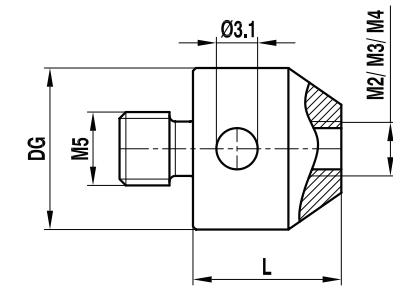
Renishaw part number	ZEISS part number	ML1/ML (mm)	L (mm)	Weight (g)
A-5555-0223	600341-0212	9	17.5	7
A-5555-0222	600341-0211	21	30.0	9
A-5555-0221	600341-0210	26	35.0	9
A-5555-0225	–	21	–	3
A-5555-0224	–	26	–	4



Adaptor

Thread	M5
Adaptor	Stainless steel

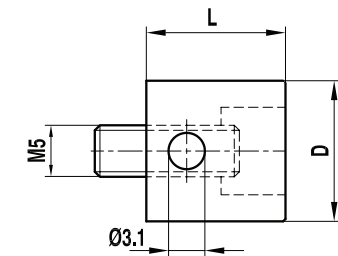
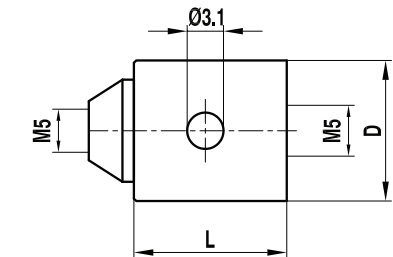
Renishaw part number	ZEISS part number	DG/D (mm)	L (mm)	From/to (mm)	Weight (g)
A-5555-0226	602030-0215-000	11	10	M5/M2	5.2
A-5555-0227	602030-0315-000	11	10	M5/M3	5.2
A-5555-0228	–	11	10	M5/M4	5.2



Adaptor with thread/conical shaft base

Thread	M5
Adaptor	Stainless steel

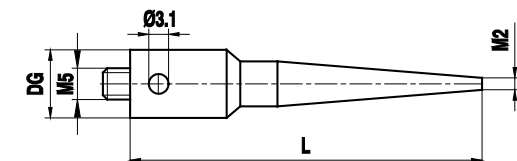
Renishaw part number	ZEISS part number	DG/D (mm)	L (mm)	Weight (g)
A-5555-0013	600331-0001-000	18	10	12
A-5555-0014	602030-0018-000	18	12	10



Holder for digitilisation styli

Thread	M5
Holder	Stainless steel

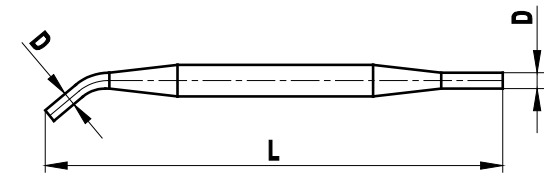
Renishaw part number	ZEISS part number	DG/D (mm)	L (mm)	Thread (mm)	Weight (g)
A-5555-0231	–	15.81	119	M2	126
A-5555-0232	602030-9115-000	9.52	127	M2	87



Pin type spanner 2.9

Thread	M5
Spanner	Stainless steel

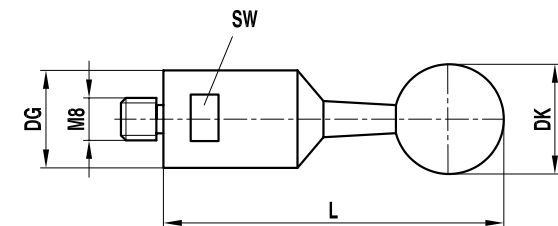
Renishaw part number	ZEISS part number	DG/D (mm)	L (mm)	Qty
A-5555-0240	602030-0222-000	2.9	70	1 off
A-5555-0238	600341-8596-000	2.9	70	2 off



Calibration sphere

Thread	M8
Material	Stainless steel
Ball	Ceramic
Additional notes	Includes an internal certificate

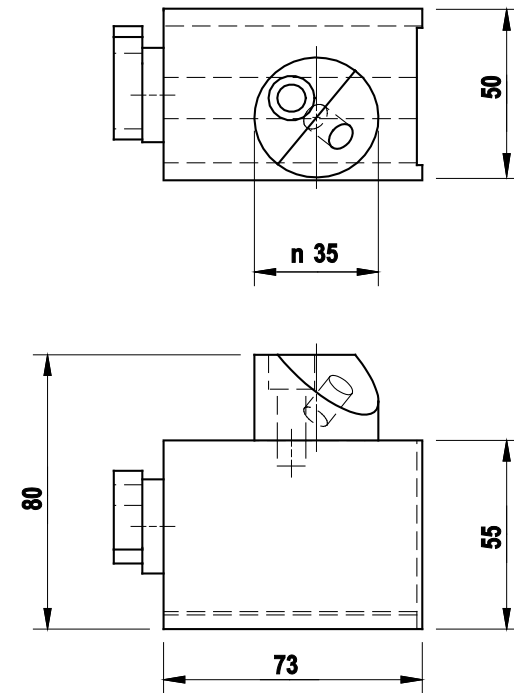
Renishaw part number	ZEISS part number	DK (mm)	DG/D (mm)	L (mm)	SW (mm)
A-5555-3842	-	15	24	130	22
A-5555-3843	-	20	24	135	22
A-5555-3844	-	25	24	140	22
A-1034-0124	-	30	24	145	22



Magnet base for calibration sphere

Thread	M8
Additional notes	For calibration below 45°

Renishaw part number	ZEISS part number
A-5555-2443	—

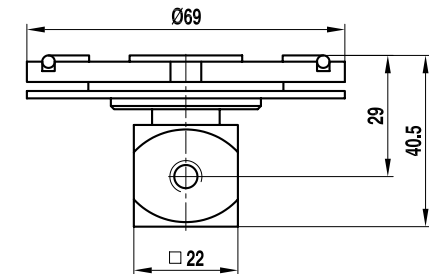


Renishaw adaptor plates for ZEISS probe heads

Adaptor plate for measuring systems VAST/MT

Thread	M5
Material	Aluminium
Additional notes	With active ID chip and engraved 15° scale

Renishaw part number	ZEISS part number	Number of pieces	Weight (g)
A-5555-0255	600667-9601-000	1	153
A-5555-0256	600667-9611-000	2	306
*A-5555-0258	626107-2000-940	1	130

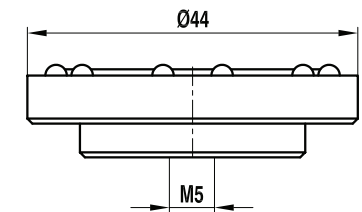


NOTE: * Adaptor plate instead of cube.

Adaptor plate for dynamic systems (ST)

Thread	M5
Material	Aluminium

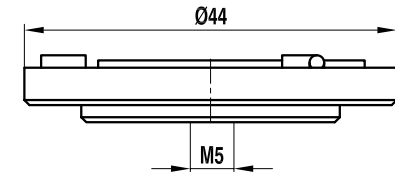
Renishaw part number	ZEISS part number	Number of pieces	Weight (g)
A-5555-0322	–	1	72
A-5555-0251	600660-8251-000	2	144



Adaptor plate for Prismo dynamic systems (ST)

Thread	M5
Material	Aluminium

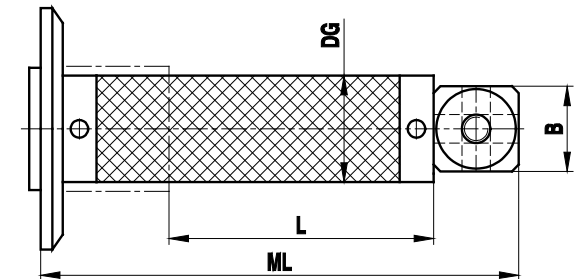
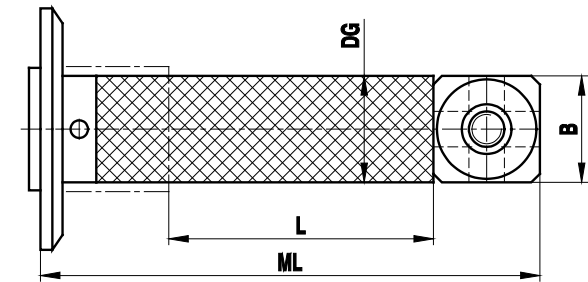
Renishaw part number	ZEISS part number	Number of pieces	Weight (g)
A-5555-3900	–	1	72
A-5555-0253	620660-8251-000	2	144



Extension for adaptor plate

Thread	M5
Material	Thermostable carbon fibre
Cube and plate	Titanium

Renishaw part number	ZEISS part number	ML1/ML (mm)	DG/D (mm)	L (mm)	EAL/B (mm)	Weight (g)
A-5555-3845	–	66.5	11	25	15	60
A-5555-3846	–	81.5	11	40	15	62
A-5555-3847	–	91.5	11	50	15	64
A-5555-3848	–	101.5	11	60	15	66
A-5555-3849	–	121.5	11	80	15	68
A-5555-3850	–	141.5	11	100	15	70
A-5555-3851	–	161.5	11	120	15	72
A-5555-3740	–	191.5	11	150	15	77
A-5555-3852	–	241.5	11	200	15	84
A-5555-0699	626107-2025-130	66.5	20	25	15	60
A-5555-1985	626107-2040-130	81.5	20	40	15	62
A-5555-1986	626107-2050-130	91.5	20	50	15	64
A-5555-1987	626107-2060-130	101.5	20	60	15	66
A-5555-0700	626107-2080-130	121.5	20	80	15	68
A-5555-1988	626107-2100-130	141.5	20	100	15	70
A-5555-1989	626107-2120-130	161.5	20	120	15	72
A-5555-0701	626107-2150-130	191.5	20	150	15	77
A-5555-1990	626107-2200-130	241.5	20	200	15	84
A-5555-1979	626107-2025-110	71.5	20	25	20	74
A-5555-1980	626107-2040-110	86.5	20	40	20	76
A-5555-1855	626107-2050-110	96.5	20	50	20	78
A-5555-1981	626107-2060-110	106.5	20	60	20	80
A-5555-1982	626107-2080-110	126.5	20	80	20	82
A-5555-1983	626107-2100-110	146.5	20	100	20	84
A-5555-1938	626107-2120-110	166.5	20	120	20	86
A-5555-1937	626107-2150-110	196.5	20	150	20	91
A-5555-1984	626107-2200-110	246.5	20	200	20	98

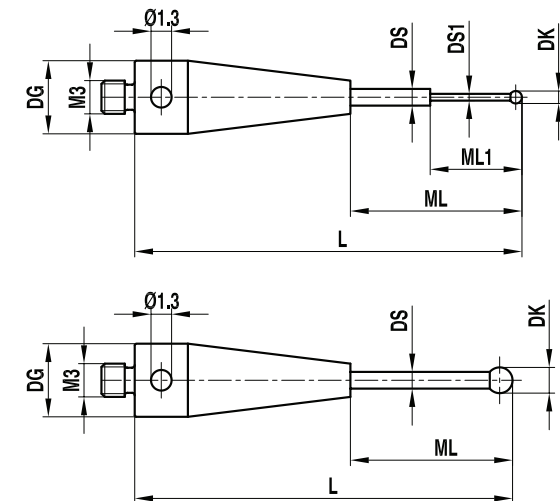


Renishaw M3 styli, adaptors and accessories for ZEISS analogue probe systems

Carbide styli XXT

Thread	M3
Base	Titanium
Stem	Tungsten carbide
Ball	Ruby
Additional notes	Peg mounted except for ball diameters 0.3 mm – 0.6 mm

Renishaw part number	ZEISS part number	DK (mm)	ML1/ML (mm)	DG/D (mm)	L (mm)	DS1/DS (mm)	Weight (g)
A-5004-3176	626113-0030-013	0.3	2.3/4.0	5	13	0.2/1.0	0.62
A-5004-2185	626113-0030-020	0.3	2.3/11	5	20	0.2/1.0	0.69
A-5004-1702	626113-0050-013	0.5	2.3/4.0	5	13	0.3/1.0	0.61
A-5004-2186	626113-0050-020	0.5	2.3/11	5	20	0.3/1.0	0.69
A-5555-3853	626113-0060-014	0.6	4.6/5.0	5	14	0.4/1.0	0.61
A-5004-3179	626113-0060-020	0.6	4.6/11.0	5	20	0.4/1.0	0.68
A-5004-3273	626113-0080-014	0.8	5.0	5	14	0.6	0.62
A-5004-3274	626113-0080-020	0.8	4.8/11.0	5	20	0.6/1.0	0.69
A-5004-1883	626113-0080-034	0.8	4.1/25.0	5	34	0.6/1.0	0.8
A-5004-3187	626113-0100-014	1.0	5.0	5	14	0.8	0.63
A-5555-3854	626113-0101-020	1.0	5.1/11.0	5	20	0.6/1.0	0.7
A-5004-1863	626113-0100-020	1.0	5.0/11.0	5	20	0.8/1.0	0.69
A-5004-3519	626113-0103-020	1.0	11.0	5	20	0.8	0.7
A-5004-3427	626113-0100-030	1.0	5.0/21.0	5	30	0.8/1.0	0.8
A-5555-9341	626113-0100-040	1.0	5.0/31.0	5	40	0.8/1.0	1.5

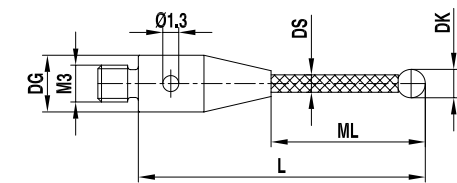


Renishaw part number	ZEISS part number	DK (mm)	ML1/ML (mm)	DG/D (mm)	L (mm)	DS1/DS (mm)	Weight (g)
A-5004-3272	626113-0150-014	1.5	5.0	5	14	1.0	0.65
A-5004-4653	626113-0150-020	1.5	11.0	5	20	1.0	0.72
A-5555-9339	626113-0151-030	1.5	21.0	5	30	1.0	0.84
A-5555-9340	626113-0150-030	1.5	22.5	5	30	1.0	0.9
A-5004-1779	626113-0151-040	1.5	31.0	5	40	1.0	1.6
A-5004-3188	626113-0200-014	2.0	5.0	5	14	1.0	0.66
A-5004-1861	626113-0200-020	2.0	11.0	5	20	1.0	0.72
A-5004-0656	626113-0200-030	2.0	21.0	5	30	1.0	0.83
A-5555-3855	626113-0201-040	2.0	31.0	5	40	1.5	1.7
A-5555-3856	626113-0250-020	2.5	11.0	5	20	1.5	1.0
A-5555-3857	626113-0250-030	2.5	21.0	5	30	1.5	1.5
A-5004-3428	626113-0250-040	2.5	31.0	5	40	1.5	2.0

Reference styli XXT (red dot)

Thread	M3
Base	Titanium
Stem	Thermostable carbon fibre
Ball	Ruby

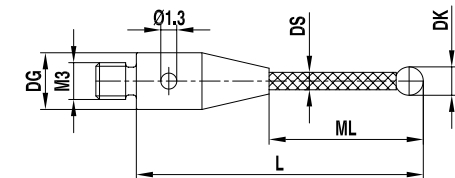
Renishaw part number	ZEISS part number	DK (mm)	ML1/ML (mm)	DG/D (mm)	L (mm)	DS1/DS (mm)	Weight (g)
A-5555-2033	626103-0501-030	5	21	5	30	3.5	1.1
A-5555-3858	626103-0501-050	5	41	5	50	3.5	1.4



Carbon fibre styli XXT thermostable

Thread	M3
Base	Titanium
Stem	Thermostable carbon fibre
Ball	Ruby
Additional notes	Peg mounted

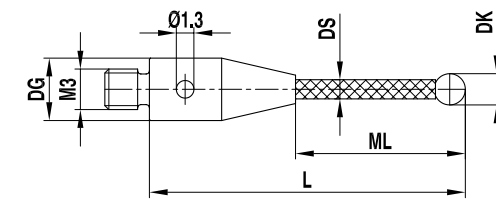
Renishaw part number	ZEISS part number	DK (mm)	ML1/ML (mm)	DG/D (mm)	L (mm)	DS1/DS (mm)	Weight (g)
A-5555-3859	626103-0300-025	3	16	5	25	2.0	0.65
A-5004-0802	626103-0300-033	3	24	5	33	2.0	0.7
A-5555-1251	626103-0300-040	3	31	5	40	2.0	0.8
A-5004-1884	626103-0300-042	3	33	5	42	2.0	0.8
A-5004-0803	626103-0300-050	3	41	5	50	2.0	0.8
A-5555-3860	626103-0300-058	3	49	5	58	2.0	1.0
A-5555-3861	626103-0300-059	3	50	5	59	2.0	1.0
A-5555-3862	626103-0300-075	3	66	5	75	2.0	1.0
A-5004-2786	626103-0401-050	4	41	5	50	2.0	1.0
A-5004-2108	626103-0500-030	5	21	5	30	3.5	1.1
A-5555-3863	626103-0500-040	5	31	5	40	3.5	1.2
A-5004-0806	626103-0500-050	5	41	5	50	3.5	1.4
A-5555-3864	626103-0500-060	5	51	5	60	3.5	1.5
A-5555-1114	626103-0501-075	5	66	5	75	3.5	1.8
A-5004-3429	626103-0600-050	6	40	5	50	3.5	1.5
A-5555-3865	626103-0610-070	6	61	5	70	3.5	1.8
A-5555-1115	626103-0600-100	6	91	5	100	3.5	2.4
A-5555-3866	626103-0800-030	8	30	5	30	5.0	1.86
A-5555-3867	626103-0830-050	8	50	5	50	5.0	2.1
A-5555-3868	626103-0830-070	8	70	5	70	5.0	2.6
A-5555-3869	626103-0830-100	8	100	5	100	5.0	2.7
A-5004-0808	626103-0800-125	8	125	5	125	5.0	2.9



Carbon fibre styli XXT thermostable with silicon nitride ball

Thread	M3
Base	Titanium
Stem	Thermostable carbon fibre
Ball	Silicon nitride
Additional notes	Cup mounted

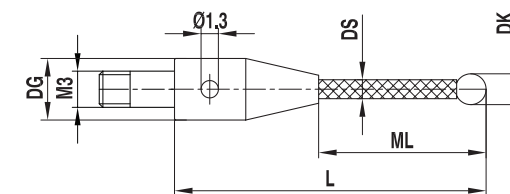
Renishaw part number	ZEISS part number	DK (mm)	ML1/ML (mm)	DG/D (mm)	L (mm)	DS1/DS (mm)	Weight (g)
A-5555-3870	626103-0301-033	3	24	5	33	2.0	0.7
A-5555-3871	626103-0301-050	3	41	5	50	2.0	0.8
A-5555-3872	626103-0502-050	5	41	5	50	3.5	1.4
A-5004-1858	626103-0500-075	5	66	5	75	3.5	1.8
A-5004-4635	626103-0801-070	8	70	5	70	5.0	2.6
A-5555-3874	626103-0801-125	8	125	5	125	5.0	2.9



Carbon fibre clamping styli XXT thermostable

Thread	M3
Base	Titanium
Stem	Thermostable carbon fibre
Ball	Ruby
Additional notes	Peg mounted

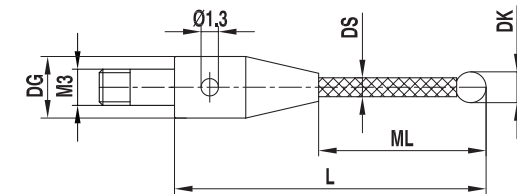
Renishaw part number	ZEISS part number	DK (mm)	ML1/ML (mm)	DG/D (mm)	L (mm)	DS1/DS (mm)	Weight (g)
A-5555-3875	626103-0301-020	3	11	5	20	2	0.7
A-5555-3876	626103-0301-030	3	21	5	30	2	0.75
A-5004-3282	626103-0301-040	3	31	5	40	2	0.8



Carbon fibre clamping styli XXT thermostable with silicon nitride ball

Thread	M3
Base	Titanium
Stem	Thermostable carbon fibre
Ball	Silicon nitride
Additional notes	Cup mounted

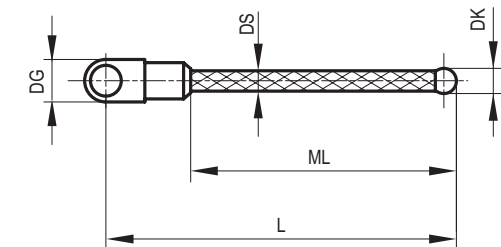
Renishaw part number	ZEISS part number	DK (mm)	ML1/ML (mm)	DG/D (mm)	L (mm)	DS1/DS (mm)	Weight (g)
A-5555-3877	626103-0311-020	3	11	5	20	2	0.7
A-5555-2445	626103-0311-030	3	21	5	30	2	0.75
A-5004-4546	626103-0311-040	3	31	5	40	2	0.8



Carbon fibre styli for 1/4 star styli XXT thermostable

Thread	M3
Base	Titanium
Stem	Thermostable carbon fibre
Ball	Ruby
Additional notes	Peg mounted

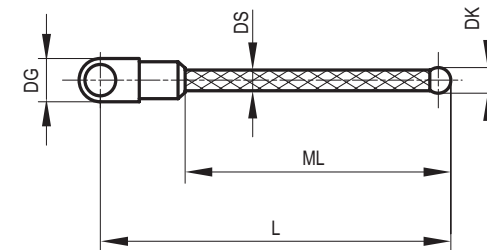
Renishaw part number	ZEISS part number	DK (mm)	ML1/ML (mm)	DG/D (mm)	L (mm)	DS1/DS (mm)	Weight (g)
A-5555-1273	626103-0302-020	3	11	5	20	2	0.8
A-5555-1274	626103-0302-030	3	21	5	30	2	0.9
A-5555-1275	626103-0302-040	3	31	5	40	2	1.0



Carbon fibre styli for 1/4 star styli carbon fibre XXT thermostable with silicon nitride ball

Thread	M3
Base	Titanium
Stem	Thermostable carbon fibre
Ball	Silicon nitride
Additional notes	Cup mounted

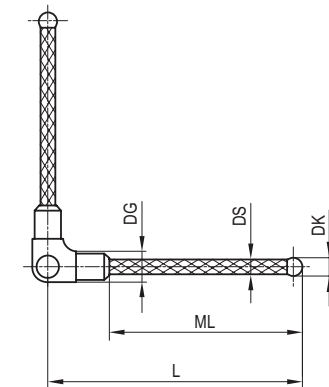
Renishaw part number	ZEISS part number	DK (mm)	ML1/ML (mm)	DG/D (mm)	L (mm)	DS1/DS (mm)	Weight (g)
A-5555-3880	626103-0312-020	3	11	5	20	2	0.8
A-5555-3881	626103-0312-030	3	21	5	30	2	0.9
A-5555-3901	626103-0312-040	3	31	5	40	2	1.0



Carbon fibre styli for 1/2 star styli XXT 90° thermostable

Thread	M3
Base	Titanium
Stem	Thermostable carbon fibre
Ball	Ruby
Additional notes	Peg mounted

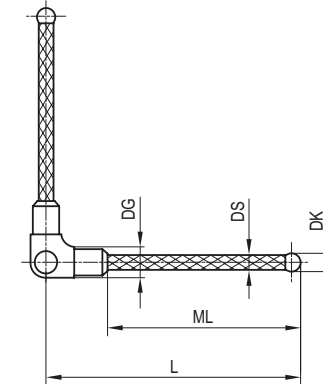
Renishaw part number	ZEISS part number	DK (mm)	ML1/ML (mm)	DG/D (mm)	L (mm)	DS1/DS (mm)	Weight (g)
A-5555-3882	626103-0303-020	3	11	5	20	2	1.4
A-5555-3883	626103-0303-030	3	21	5	30	2	1.5
A-5004-3284	626103-0303-040	3	31	5	40	2	1.6



Carbon fibre styli for 1/2 star styli XXT 90° thermostable with silicon nitride ball

Thread	M3
Base	Titanium
Stem	Thermostable carbon fibre
Ball	Silicon nitride
Additional notes	Cup mounted

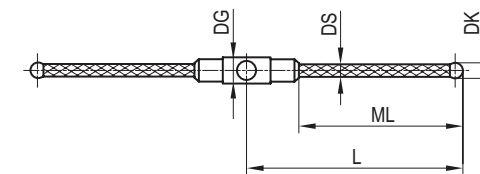
Renishaw part number	ZEISS part number	DK (mm)	ML1/ML (mm)	DG/D (mm)	L (mm)	DS1/DS (mm)	Weight (g)
A-5555-3884	626103-0313-020	3	11	5	20	2	1.4
A-5555-3885	626103-0313-030	3	21	5	30	2	1.5
A-5555-3886	626103-0313-040	3	31	5	40	2	1.6



Carbon fibre styli for 1/2 star styli XXT 180° thermostable

Thread	M3
Base	Titanium
Stem	Thermostable carbon fibre
Ball	Ruby
Additional notes	Peg mounted

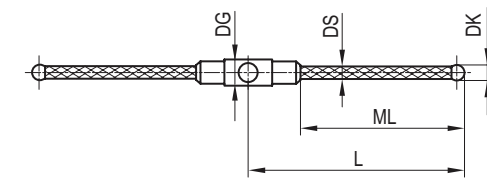
Renishaw part number	ZEISS part number	DK (mm)	ML1/ML (mm)	DG/D (mm)	L (mm)	DS1/DS (mm)	Weight (g)
A-5555-3887	626103-0304-020	3	11	5	20	2	1.4
A-5555-3888	626103-0304-030	3	21	5	30	2	1.5
A-5004-0654	626103-0304-040	3	31	5	40	2	1.6



Carbon fibre styli for 1/2 star styli XXT 180° thermostable with silicon nitride ball

Thread	M3
Base	Titanium
Stem	Thermostable carbon fibre
Ball	Silicon nitride
Additional notes	Cup mounted

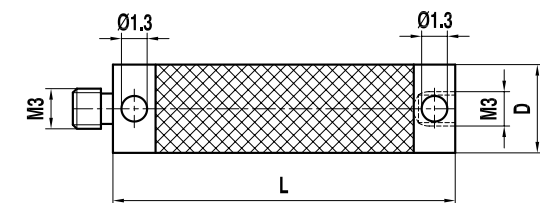
Renishaw part number	ZEISS part number	DK (mm)	ML1/ML (mm)	DG/D (mm)	L (mm)	DS1/DS (mm)	Weight (g)
A-5555-3889	626103-0314-020	3	11	5	20	2	1.4
A-5555-3890	626103-0314-030	3	21	5	30	2	1.5
A-5555-3891	626103-0314-040	3	31	5	40	2	1.6



Carbon fibre extension XXT

Thread	M3
Extension	Thermostable carbon fibre

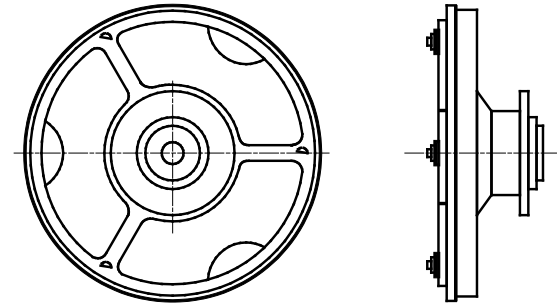
Renishaw part number	ZEISS part number	DG/D (mm)	L (mm)	Weight (g)
A-5555-3892	626103-5020-000	5	20	1.2
A-5555-1947	626103-5025-000	5	25	1.25
A-5004-3430	626103-5030-000	5	30	1.3
A-5555-3893	626103-5040-000	5	40	1.4
A-5004-0002	626103-5050-000	5	50	1.5
A-5555-3894	626103-5060-000	5	60	1.7
A-5555-1948	626103-5075-000	5	75	1.7
A-5004-2001	626103-5080-000	5	80	1.8
A-5004-1859	626103-5100-000	5	100	2.0
A-5555-3895	626103-5130-000	5	130	2.5
A-5555-1276	626103-5150-000	5	150	2.7



Adaptor plate VAST XXT TL1

Thread	M3
Material	Aluminium
Additional notes	TL1 has two adjacent carbide spheres and fits TL1 probe heads

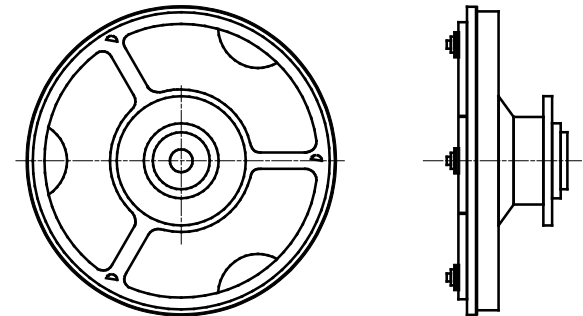
Renishaw part number	ZEISS part number	Number of pieces
A-5555-1235	620161-8055-000	1



Reference adaptor plate VAST XXT TL1

Thread	M3
Material	Aluminium

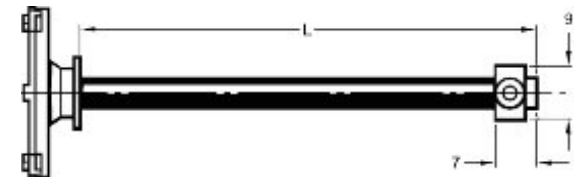
Renishaw part number	ZEISS part number	Number of pieces
A-5555-1236	620161-8058-000	1



Adaptor plate VAST XXT TL1 with star adaptor

Thread	M3
Material	Aluminium

Renishaw part number	ZEISS part number	L (mm)	Number of pieces	Weight (g)
A-5555-1241	626103-8031-055	55	1	6.3



Adaptor plate for XXT TL2

Thread	M3
Material	Aluminium

Renishaw part number	ZEISS part number	L (mm)	Number of pieces	Weight (g)
A-5555-1237	620161-8065-000	75	1	5.4



Reference adaptor plate for XXT TL2

Thread	M3
Material	Aluminium

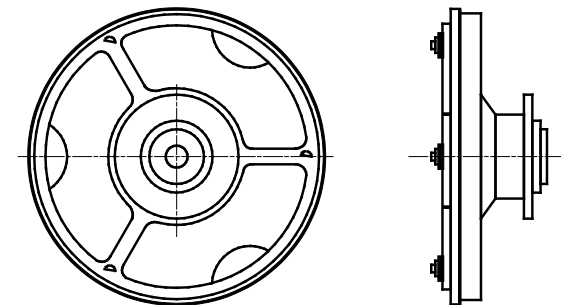
Renishaw part number	ZEISS part number	L (mm)	Number of pieces	Weight (g)
A-5555-1238	620161-8068-000	75	1	5.4



Adaptor plate VAST XXT TL3

Thread	M3
Material	Aluminium
Additional notes	TL3 plate has two separated carbide spheres and fits TL3 probe head

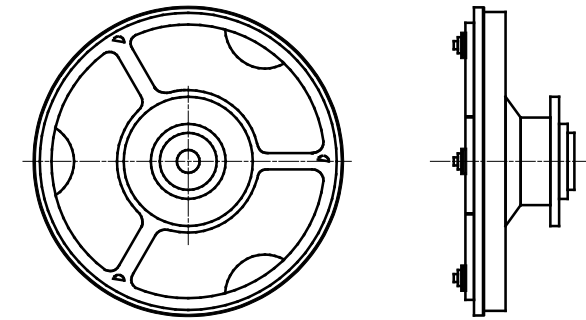
Renishaw part number	ZEISS part number	Number of pieces
A-5555-1239	620161-8075-000	1



Reference adaptor plate VAST XXT TL3

Thread	M3
Material	Aluminium

Renishaw part number	ZEISS part number	Number of pieces
A-5555-1240	620161-8078-000	1



Adaptor plate VAST XXT TL3 star

Thread	M3
Material	Aluminium

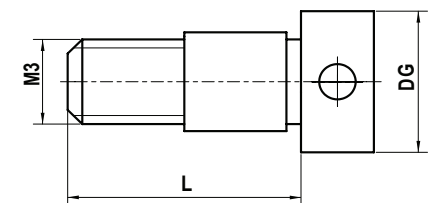
Renishaw part number	ZEISS part number	L (mm)	Number of pieces	Weight (g)
A-5555-1242	626103-8033-055	55	1	6.3



Clamping screw XXT

Thread	M3
Material	Titanium

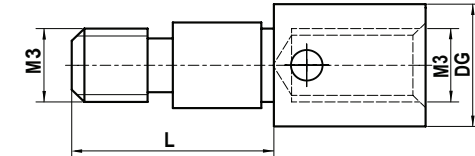
Renishaw part number	ZEISS part number	DG/D (mm)	L (mm)	Weight (g)
A-5004-1856	626103-6110-004	5	8	0.5



Clamping screw XXT with internal M3 thread

Thread	M3
Material	Titanium

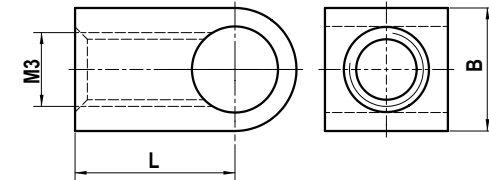
Renishaw part number	ZEISS part number	DG/D (mm)	L (mm)	Weight (g)
A-5004-1857	626103-6110-005	5	8	0.7



Cube XXT 90°, 1-way

Thread	M3
Material	Titanium

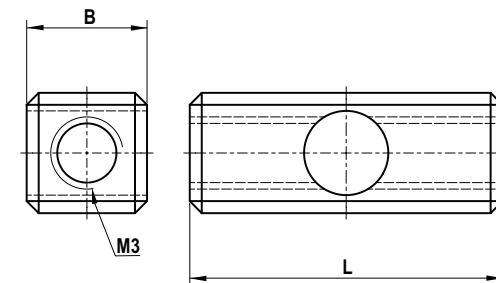
Renishaw part number	ZEISS part number	L (mm)	EAL/B (mm)	Weight (g)
A-5004-3437	626103-6110-001	6.5	5	0.64



Cube XXT 180°, 2-way

Thread	M3
Material	Titanium

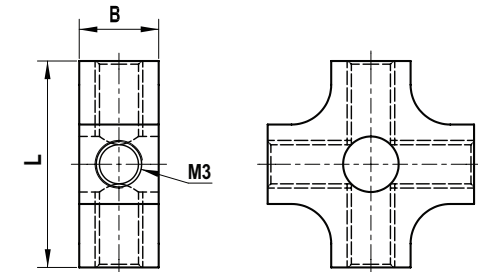
Renishaw part number	ZEISS part number	L (mm)	EAL/B (mm)	Weight (g)
A-5555-3896	626103-6110-002	13	5	1.05



Cube XXT star

Thread	M3
Material	Titanium

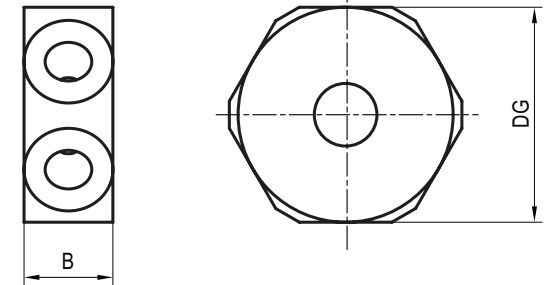
Renishaw part number	ZEISS part number	L (mm)	EAL/B (mm)	Weight (g)
A-5004-3185	626103-6110-003	13	5	1.8



Cube XXT, 6-star

Thread	M3
Material	Titanium

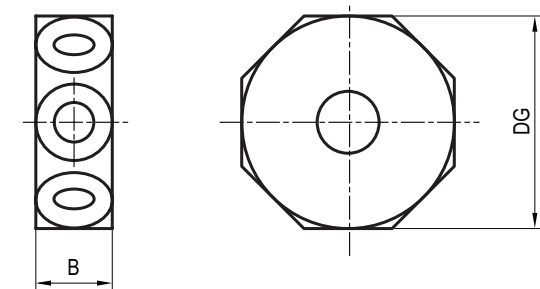
Renishaw part number	ZEISS part number	DG/D (mm)	EAL/B (mm)	Weight (g)
A-5555-3898	626103-6110-006	12	5	1.79



Cube XXT, 8-star

Thread	M3
Material	Titanium

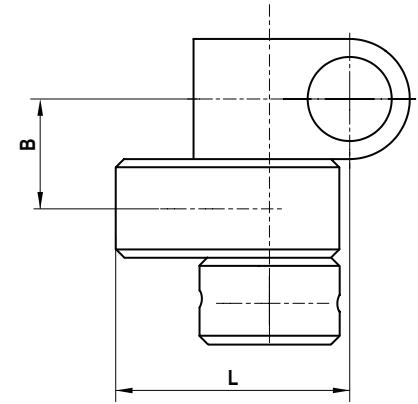
Renishaw part number	ZEISS part number	DG/D (mm)	EAL/B (mm)	Weight (g)
A-5555-3899	626103-6110-007	14	5	2.31



Knuckle XXT

Thread	M3
Material	Titanium

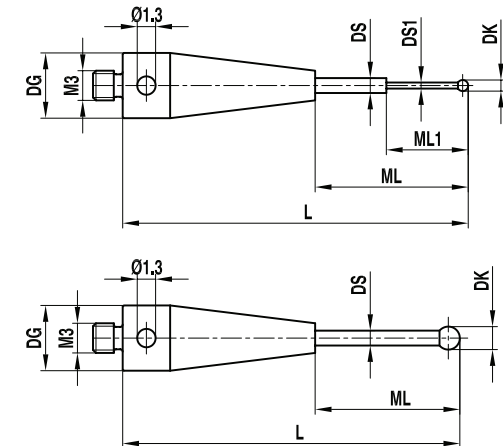
Renishaw part number	ZEISS part number	L (mm)	EAL/B (mm)	Weight (g)
A-5004-3285	626103-6180-001	10	5	1.65



Carbide styli

Thread	M3
Base	Stainless steel
Stem	Tungsten carbide
Ball	Ruby
Additional notes	Peg mounted

Renishaw part number	ZEISS part number	DK (mm)	ML1/ML (mm)	DG/D (mm)	L (mm)	DS1/DS (mm)	Weight (g)
A-5555-2446	–	0.2	2.3/9.0	4.0	22.0	0.18/1.0	1.0
A-5555-2447	–	0.25	2.3/9.0	4.0	22.0	0.18/1.0	1.0
A-5555-0273	602030-8121-000	0.3	2.3/9.0	4.0	22.0	0.2/1.0	1.0
A-5555-0267	602030-8115-000	0.5	2.5/11.25	4.0	21.25	0.3/1.0	1.0
A-5555-0268	602030-8116-000	0.6	4.6/9.0	4.0	22.0	0.4/1.0	1.0
A-5555-0269	602030-8117-000	0.8	4.8/9.0	4.0	22.0	0.6/1.0	1.0
A-5555-0272	602030-8120-000	1.0	5.0/5.5	4.0	10.5	0.8/1.0	1.0
A-5555-0270	602030-8118-000	1.0	5.0/9.0	4.0	22.0	0.8/1.0	1.0
A-5555-0271	602030-8119-000	1.5	9.0	4.0	22.0	1.0	1.0
A-5555-0274	602030-8023-000	2.0	15.0	4.0	21.0	1.0	1.0
A-5555-0261	602030-8104-000	2.0	14.0	4.0	22.0	1.0	1.0
A-5555-2448	–	2.0	34.0	4.0	40.0	1.5	1.0
A-5555-0277	602030-8106-000	3.0	13.0	4.0	21.0	2.0	1.0
A-5555-0276	602030-8021-000	3.0	15.5	4.0	21.5	1.5	1.0
A-5555-0262	602030-8113-000	3.0	21.5	5.5	40.0	2.0	4.0
A-5004-4513	–	3.0	31.5	5.5	50.0	2.0	4.5

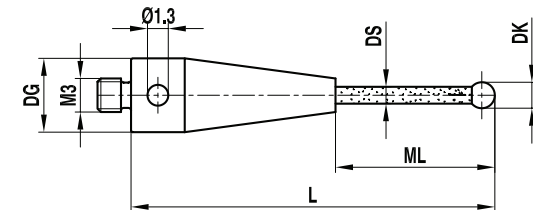


Renishaw part number	ZEISS part number	DK (mm)	ML1/ML (mm)	DG/D (mm)	L (mm)	DS1/DS (mm)	Weight (g)
A-5555-2449	–	4.0	22.0	4.0	30.0	2.0	2.0
A-5004-2785	–	4.0	32.0	4.0	40.0	2.0	2.0
A-5004-1008	–	4.0	42.0	4.0	50.0	2.0	2.9
A-5555-2450	–	5.0	22.0	4.0	30.0	2.0	2.1
A-5555-2451	–	5.0	32.0	4.0	40.0	2.0	2.0
A-5555-2452	–	5.0	42.0	4.0	50.0	2.0	3.0
A-5555-2453	–	5.0	52.0	4.0	60.0	2.0	3.5
A-5555-2454	–	6.0	22.0	4.0	30.0	2.0	2.3
A-5004-6728	–	6.0	32.0	4.0	40.0	2.0	2.7
A-5555-1118	–	6.0	42.0	4.0	50.0	2.0	3.2

Ceramic styli

Thread	M3
Base	Stainless steel
Stem	Ceramic
Ball	Ruby
Additional notes	Peg mounted

Renishaw part number	ZEISS part number	DK (mm)	ML1/ML (mm)	DG/D (mm)	L (mm)	DS1/DS (mm)	Weight (g)
A-5555-0264	602030-8102-000	4	26.0	4	32.0	2	1.0
A-5555-0266	602030-8101-000	5	24.5	4	32.5	2	1.0
A-5555-0275	602030-8020-000	6	9.0	4	13.0	2	1.0
A-5004-4757	–	6	30.5	4	43.5	2	1.2
A-5004-2741	–	6	50.5	4	63.5	2	1.5
A-5555-2455	–	8	18.5	4	31.5	2	1.3



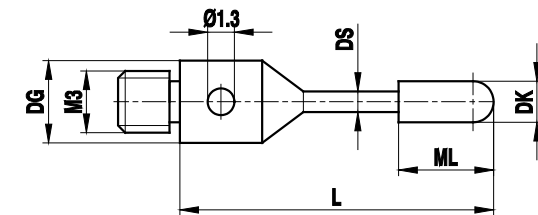
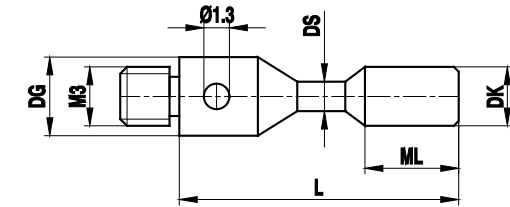
Cylinder styli

Thread	M3
Base	Stainless steel
Stem	Tungsten carbide
Cylinder	Carbide

Renishaw part number	ZEISS part number	DK (mm)	ML1/ML (mm)	DG/D (mm)	L (mm)	DS1/DS (mm)	Weight (g)
A-5004-0254	602030-8097-000	1.5	1.5	4	11	1.0	0.4
A-5004-0255	602030-8099-000	3.0	4.0	4	13	1.5	0.7

Thread	M3
Base	Stainless steel
Stem	Tungsten carbide
Cylinder	Ruby

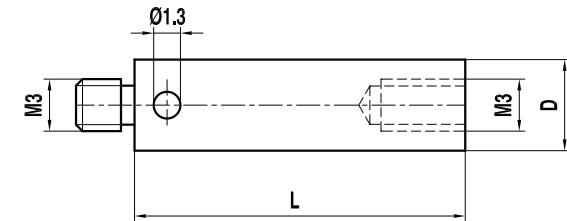
Renishaw part number	ZEISS part number	DK (mm)	ML1/ML (mm)	DG/D (mm)	L (mm)	DS1/DS (mm)	Weight (g)
A-5004-0256	602030-8107-000	2	7	4	21	1	0.7



Extension

Thread	M3
Material	Stainless steel

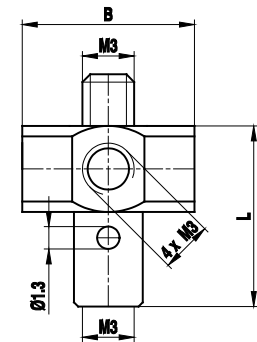
Renishaw part number	ZEISS part number	DG/D (mm)	L (mm)	Weight (g)
A-5004-7609	602030-8301-000	4	10	0.7
A-5004-7583	602030-8302-000	4	20	1.6
A-5555-0286	602030-8303-000	4	30	2.6
A-5555-0287	602030-8304-000	4 <td 40	3.7	
A-5555-0288	602030-8305-000	4	50	4.7



5-way styli holder, rotary

Thread	M3
Material	Stainless steel

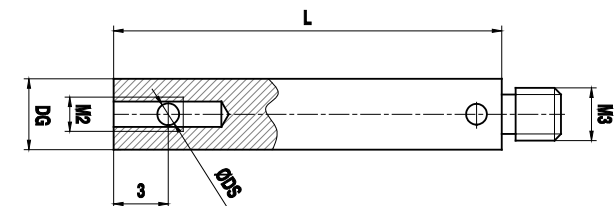
Renishaw part number	ZEISS part number	L (mm)	EAL/B (mm)	Weight (g)
A-5555-0303	602030-8382-000	11.5	12	4.2



Holder for styli 90°

Thread	M3
Material	Stainless steel

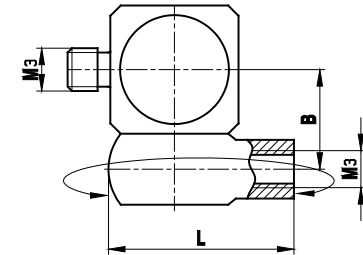
Renishaw part number	ZEISS part number	DG/D (mm)	L (mm)	DS1/DS (mm)	Weight (g)
A-5004-4561	–	4	30	1.0	2.9
A-5555-2456	–	4	30	1.5	2.9



Rotary knuckle

Thread	M3
Material	Stainless steel

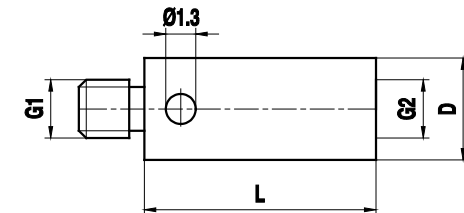
Renishaw part number	ZEISS part number	L (mm)	EAL/B (mm)	Weight (g)
A-5000-7616	602030-9102-000	12	6	3.6



Adaptor

Thread	M3/M2
Material	Stainless steel

Renishaw part number	ZEISS part number	DG/D (mm)	L (mm)	Thread from/to	Weight (g)
A-5004-7592	602030-8341-000	4	5	M3/M2	0.5
A-5555-0306	602030-8345-000	4	5	M2/M3	0.5
A-5555-2457	000000-1049-178	4	7	M2/M3	0.5

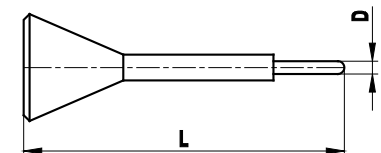


Renishaw tools and accessories for assembly of M2, M3 and M5 styli to ZEISS measuring probe heads

Stylus tool

Thread	M2 and M3
Material	Stainless steel

Renishaw part number	ZEISS part number	DG/D (mm)	L (mm)	Weight (g)
A-5555-0233	602030-0001-000	1.2	23	1



Stylus assembly tool

Thread	M3
Material	Stainless steel

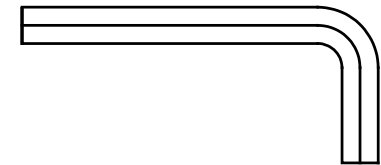
Renishaw part number	ZEISS part number
A-5555-0307	000000-1018-201



Allen keys

Material	Steel
----------	-------

Renishaw part number	ZEISS part number	EAL/B (mm)
A-5555-0235	602030-0042-000	0.9
A-5555-0234	602030-0002-000	1.5
A-5555-0328	000000-0015-245	2.0
A-5555-0236	602030-0021-000	2.5
A-5555-2458	000000-0015-247	3.0
A-5555-2459	000000-0015-248	4.0
A-5555-2460	–	5.0
A-5555-2461	–	10.0

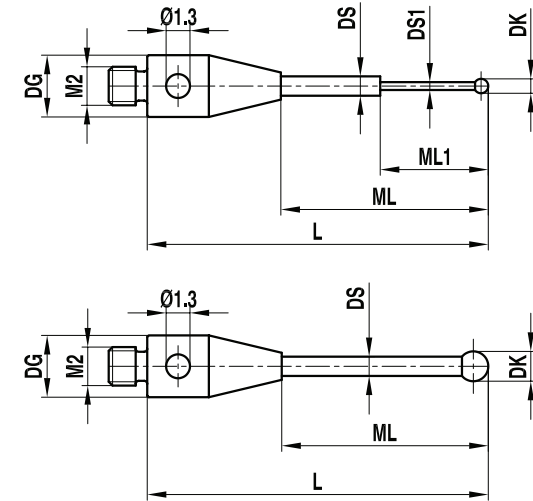


Renishaw M2 styli, adaptors and accessories for ZEISS analogue probe systems

Carbide styli

Thread	M2
Base	Stainless steel
Stem	Tungsten carbide
Ball	Ruby
Additional notes	Peg mounted except for ball diameters 0.2 mm – 0.6 mm

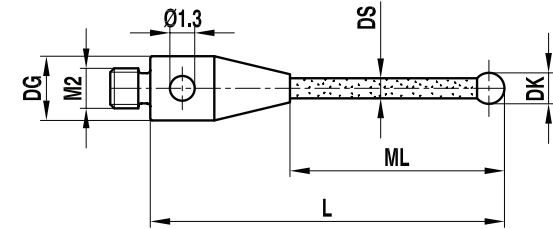
Renishaw part number	ZEISS part number	DK (mm)	ML1/ML (mm)	DG/D (mm)	L (mm)	DS1/DS (mm)	Weight (g)
A-5004-5753	–	0.2	2.3/12.5	3	17.0	0.18/1.0	0.4
A-5555-2462	–	0.25	2.3/12.5	3	17.0	0.18/1.0	0.4
A-5555-9159	–	0.3	2.3/13.5	3	18.0	0.2/1.0	0.4
A-5555-1101	–	0.5	2.5/13.5	3	18.0	0.3/1.0	0.4
A-5555-9161	–	0.6	4.6/13.8	3	18.3	0.4/1.0	0.4
A-5555-9162	–	0.8	4.8/13.5	3	18.0	0.6/1.0	0.4
A-5555-0308	602030-8006-000	1.0	6.5	3	10.5	0.8	0.3
A-5555-0309	–	1.0	11.5	3	15.5	0.8	0.3
A-5555-2463	–	1.0	5.0/14.0	3	18.5	0.8/1.0	0.4
A-5555-0282	602030-8001-000	2.0	5.0	3	11.0	1.0	1.0
A-5555-0310	602030-8008-000	2.0	7.0	3	11.0	1.0	1.0
A-5555-0311	602030-8009-000	2.0	12.0	3	16.0	1.0	1.0
A-5003-3822	602030-8005-000	2.0	15.0	3	21.0	1.0	1.0
A-5555-2465	–	2.5	6.0	3	12.0	1.5	1.0
A-5555-2466	–	3.0	6.0	3	12.0	2.0	1.0
A-5003-0938	602030-8003-000	3.0	15.5	3	21.5	1.5	1.0
A-5555-0312	602030-8015-000	4.0	6.0	3	12.0	2.0	1.0
A-5555-0313	602030-8016-000	4.0	16.0	3	22.0	2.0	1.0
A-5555-0283	602030-8034-000	5.0	16.5	3	22.5	2.0	1.0



Ceramic styli

Thread	M2
Base	Stainless steel
Stem	Ceramic
Ball	Ruby
Additional notes	Peg mounted

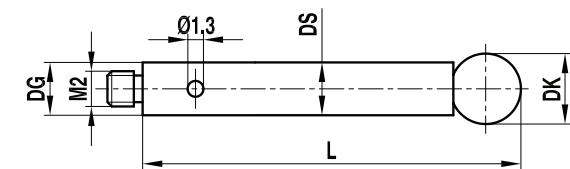
Renishaw part number	ZEISS part number	DK (mm)	ML1/ML (mm)	DG/D (mm)	L (mm)	DS1/DS (mm)	Weight (g)
A-5555-2467	–	4	12.0	3	16.0	2	0.8
A-5555-2468	–	4	30.0	3	36.0	2	1.0
A-5555-2469	–	5	10.0	3	14.0	2	0.8
A-5555-0279	–	5	16.5	3	22.5	2	1.0
A-5555-2470	–	5	32.0	3	38.0	2	1.0
A-5555-0278	602030-8002-000	6	9.0	3	13.0	2	1.0



Stainless steel styli

Thread	M2
Base	Stainless steel
Stem	Stainless steel
Ball	Ruby
Additional notes	Peg mounted

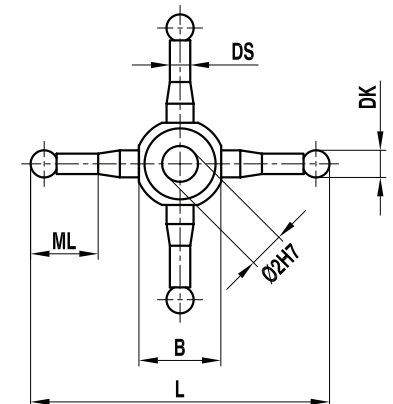
Renishaw part number	ZEISS part number	DK (mm)	ML1/ML (mm)	DG/D (mm)	L (mm)	DS1/DS (mm)	Weight (g)
A-5555-2471	-	4	32.0	3	32.0	3	1.7
A-5555-2472	-	4	42.0	3	42.0	3	2.4
A-5555-2473	-	4	52.0	3	52.0	3	2.9
A-5555-2474	-	5	22.0	3	22.0	3	1.3
A-5555-2475	-	5	32.0	3	32.0	3	1.9
A-5555-2476	-	5	42.5	3	42.5	3	2.5
A-5555-2477	-	5	52.5	3	52.5	3	3.1
A-5555-0314	-	6	13.0	3	13.0	3	0.9
A-5555-0315	-	6	28.0	3	28.0	3	1.8
A-5555-0316	-	8	13.0	3	1.03	3	2.0



Star styli

Thread	M2
Base	Stainless steel
Stem	Stainless steel
Ball	Ruby
Additional notes	Peg mounted

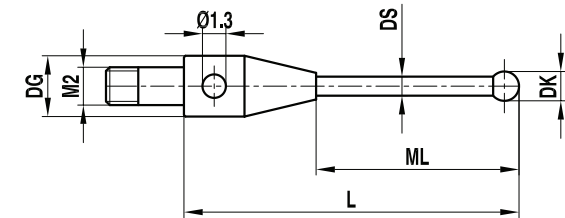
Renishaw part number	ZEISS part number	DK (mm)	ML1/ML (mm)	L (mm)	DS1/DS (mm)	EAL/B (mm)	Weight (g)
A-5555-0295	602030-8010-000	2	4.5	22	1.4	5.5	1
A-5555-0294	602030-8011-000	2	9.5	32	1.4	5.5	1



Styli for star configuration

Thread	M2
Base	Stainless steel
Stem	Stainless steel
Ball	Ruby
Additional notes	Peg mounted

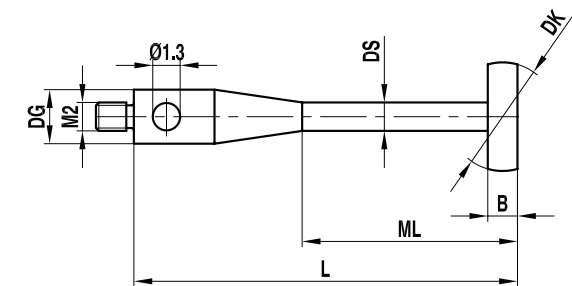
Renishaw part number	ZEISS part number	DK (mm)	ML1/ML (mm)	DG/D (mm)	L (mm)	DS1/DS (mm)	Weight (g)
A-5555-0296	602030-8012-000	2	13.5	3	19.5	1.5	1



Spherical disc styli

Thread	M2
Base	Stainless steel
Stem	Tungsten carbide
Disc	Ceramic

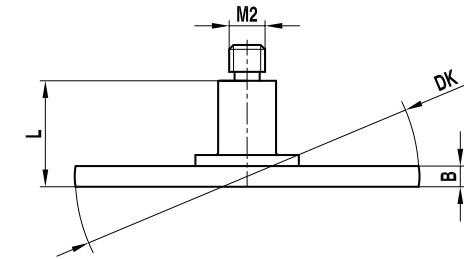
Renishaw part number	ZEISS part number	DK (mm)	ML1/ML (mm)	DG/D (mm)	L (mm)	DS1/DS (mm)	EAL/B (mm)	Weight (g)
A-5555-0298	602030-8202-000	4	19	3	32	1.0	1.0	1
A-5555-0297	602030-8201-000	8	19	3	32	1.5	1.5	1



Spherical disc styli

Thread	M2
Base	Stainless steel
Stem	Stainless steel
Disc	Ceramic

Renishaw part number	ZEISS part number	DK (mm)	L (mm)	EAL/B (mm)	Weight (g)
A-5555-0299	602030-8203-000	14	5.5	2.0	1
A-5555-0300	602030-8204-000	20	5.5	2.5	3



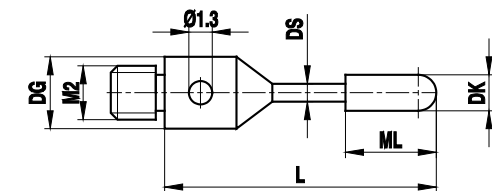
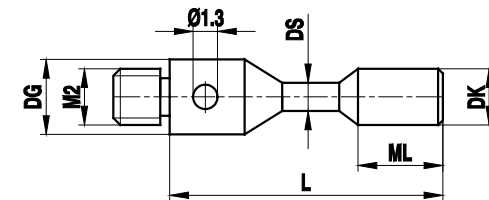
Cylinder styli

Thread	M2
Base	Stainless steel
Stem	Tungsten carbide
Cylinder	Tungsten carbide

Renishaw part number	ZEISS part number	DK (mm)	ML1/ML (mm)	DG/D (mm)	L (mm)	DS1/DS (mm)	Weight (g)
A-5004-0936	602030-8096-000	1.5	1.5	3	11	1.0	0.3
A-5004-0937	602030-8098-000	3.0	4.0	3	13	1.5	0.6

Thread	M2
Base	Stainless steel
Stem	Tungsten carbide
Cylinder	Ruby

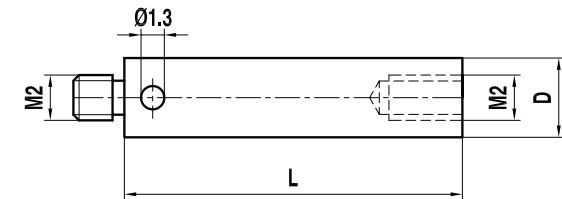
Renishaw part number	ZEISS part number	DK (mm)	ML1/ML (mm)	DG/D (mm)	L (mm)	DS1/DS (mm)	Weight (g)
A-5004-0182	602030-8100-000	2	7	3	21	1	0.6



Extension

Thread	M2
Material	Stainless steel

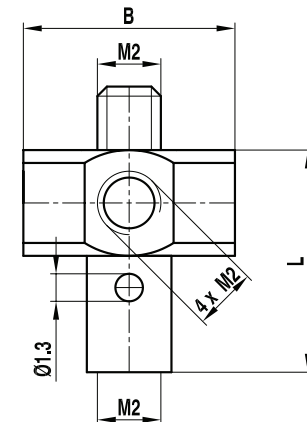
Renishaw part number	ZEISS part number	DG/D (mm)	L (mm)	Weight (g)
A-5004-7610	602030-8321-000	3	5	0.2
A-5004-7585	602030-8322-000	3	10	0.5
A-5004-7586	602030-8323-000	3	20	1.0
A-5004-7591	602030-8324-000	3	30	1.4
A-5555-1308	–	3	35	1.8
A-5004-7611	602030-8325-000	3	40	2.2
A-5555-2481	–	3	50	2.7



5-way styli holder, rotary

Thread	M2
Material	Stainless steel

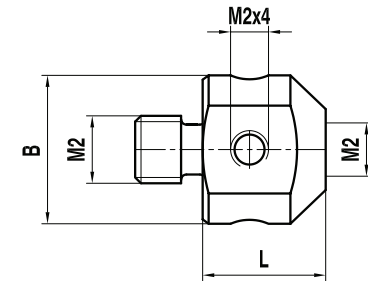
Renishaw part number	ZEISS part number	L (mm)	EAL/B (mm)	Weight (g)
A-5000-3627	602030-8381-000	7.5	7	1.2



5-way styli holder, small/large

Thread	M2
Material	Stainless steel

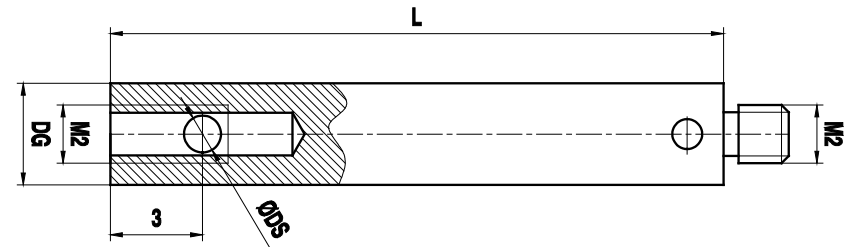
Renishaw part number	ZEISS part number	L (mm)	EAL/B (mm)	Weight (g)
A-5555-0320	602030-9103-000	5.4	7.0	1.0
A-5555-0319	602030-9104-000	9.1	10.5	3.4



Holder for styli 90°

Thread	M2
Material	Stainless steel

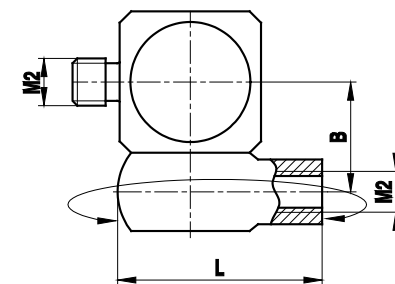
Renishaw part number	ZEISS part number	DG/D (mm)	L (mm)	DS1/DS (mm)	Weight (g)
A-5555-2478	-	3	30	1.0	2.9
A-5555-2479	-	3	30	1.5	2.9



Rotary knuckle

Thread	M2
Material	Stainless steel

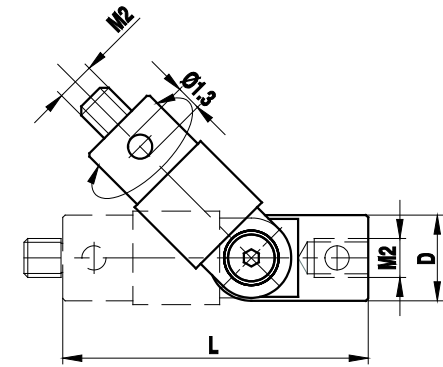
Renishaw part number	ZEISS part number	L (mm)	EAL/B (mm)	Weight (g)
A-5000-7534	602030-9101-000	8	4.5	2



Rotary knuckle, slewing range 360°, swing range 180°

Thread	M2
Material	Stainless steel

Renishaw part number	ZEISS part number	DG/D (mm)	L (mm)	Weight (g)
A-5000-9902	602030-9105-000	4	16.5	1.5



Index

Renishaw part no.	ZEISS part no.	DK (mm)	ML1/ML (mm)	DG/D (mm)	L (mm)	DS1/DS (mm)	EAL/B (mm)	Weight (g)	A (mm)	Thread/bore (mm)	Thread (from/to)	MB (mm)	G1 (mm)	SW (mm)	Page no.
A-1034-0124	–	30	–	24	145	–	–	–	–	–	–	–	–	22	36
A-5000-3627	602030-8381-000	–	–	–	7.5	–	7	1.2	–	–	–	–	–	–	66
A-5000-7534	602030-9101-000	–	–	–	8	–	4.5	2	–	–	–	–	–	–	67
A-5000-7616	602030-9102-000	–	–	–	12	–	6	3.6	–	–	–	–	–	–	59
A-5000-9902	602030-9105-000	–	–	4	16.5	–	–	1.5	–	–	–	–	–	–	68
A-5003-0145	–	1.5	8.0/20.0	11	30	1.0/1.5	–	6	–	–	–	–	–	–	7
A-5003-0850	–	–	–	11	20	–	–	5.7	–	–	–	–	–	–	33
A-5003-0938	602030-8003-000	3	15.5	3	21.5	1.5	–	1	–	–	–	–	–	–	61
A-5003-3822	602030-8005-000	2	15	3	21	1	–	1	–	–	–	–	–	–	61
A-5003-7499	–	3.5	65	11	75	2.5	–	6.5	–	–	–	–	–	–	7
A-5004-0002	626103-5050-000	–	–	5	50	–	–	1.5	–	–	–	–	–	–	48
A-5004-0182	602030-8100-000	2	7	3	21	1	–	0.6	–	–	–	–	–	–	65
A-5004-0254	602030-8097-000	1.5	1.5	4	11	1	–	0.4	–	–	–	–	–	–	57
A-5004-0255	602030-8099-000	3	4	4	13	1.5	–	0.7	–	–	–	–	–	–	57
A-5004-0256	602030-8107-000	2	7	4	21	1	–	0.7	–	–	–	–	–	–	57
A-5004-0654	626103-0304-040	3	31	5	40	2	–	1.6	–	–	–	–	–	–	47
A-5004-0656	626113-0200-030	2	21	5	30	1	–	0.83	–	–	–	–	–	–	42
A-5004-0802	626103-0300-033	3	24	5	33	2	–	0.7	–	–	–	–	–	–	43
A-5004-0803	626103-0300-050	3	41	5	50	2	–	1	–	–	–	–	–	–	43
A-5004-0806	626103-0500-050	5	41	5	50	3.5	–	1.4	–	–	–	–	–	–	43
A-5004-0808	626103-0800-125	8	125	5	125	5	–	2.9	–	–	–	–	–	–	43
A-5004-0936	602030-8096-000	1.5	1.5	3	11	1	–	0.3	–	–	–	–	–	–	65
A-5004-0937	602030-8098-000	3	4	3	13	1.5	–	0.6	–	–	–	–	–	–	65
A-5004-1008	–	4	42	4	50	2	–	2.9	–	–	–	–	–	–	56
A-5004-1702	626113-0050-013	0.5	2.3/4.0	5	13	0.3/1.0	–	0.61	–	–	–	–	–	–	41
A-5004-1779	626113-0151-040	1.5	31	5	40	1	–	1.6	–	–	–	–	–	–	42
A-5004-1856	626103-6110-004	–	–	5	8	–	–	0.5	–	–	–	–	–	–	51
A-5004-1857	626103-6110-005	–	–	5	8	–	–	0.7	–	–	–	–	–	–	52
A-5004-1858	626103-0500-075	5	68	5	75	3.5	–	1.8	–	–	–	–	–	–	44
A-5004-1859	626103-5100-000	–	–	5	100	–	–	2	–	–	–	–	–	–	48
A-5004-1861	626113-0200-020	2	11	5	20	1	–	0.72	–	–	–	–	–	–	42
A-5004-1863	626113-0100-020	1	5.0/11	5	20	0.8/1.0	–	0.69	–	–	–	–	–	–	41
A-5004-1883	626113-0080-034	0.8	4.1/25	5	34	0.6/1.0	–	0.8	–	–	–	–	–	–	41

Renishaw part no.	ZEISS part no.	DK (mm)	ML1/ML (mm)	DG/D (mm)	L (mm)	DS1/DS (mm)	EAL/B (mm)	Weight (g)	A (mm)	Thread/bore (mm)	Thread (from/to)	MB (mm)	G1 (mm)	SW (mm)	Page no.
A-5004-1884	626103-0300-042	3	33	5	42	2	–	0.8	–	–	–	–	–	–	43
A-5004-2001	626103-5080-000	–	–	5	80	–	–	1.8	–	–	–	–	–	–	48
A-5004-2108	626103-0500-030	5	21	5	30	3.5	–	1.1	–	–	–	–	–	–	43
A-5004-2109	626115-6110-003	–	–	–	–	–	20	31.5	–	–	–	–	–	–	27
A-5004-2185	626113-0030-020	0.3	2.3/11	5	20	0.2/1.0	–	0.69	–	–	–	–	–	–	41
A-5004-2186	626113-0050-013	0.5	2.3/11	5	20	0.3/1.0	–	0.69	–	–	–	–	–	–	41
A-5004-2741	–	6	50.5	4	63.5	2	–	1.5	–	–	–	–	–	–	56
A-5004-2785	–	4	32	4	40	2	–	2	–	–	–	–	–	–	56
A-5004-2786	626103-0401-050	4	41	5	50	2	–	1	–	–	–	–	–	–	43
A-5004-3176	626113-0030-013	0.3	2.3/4.0	5	13	0.2/1.0	–	0.62	–	–	–	–	–	–	41
A-5004-3179	626113-0060-020	0.6	4.6/11	5	20	0.4/1.0	–	0.68	–	–	–	–	–	–	41
A-5004-3185	626103-6110-003	–	–	–	13	–	5	1.8	–	–	–	–	–	–	53
A-5004-3187	626113-0100-014	1	5	5	14	0.8	–	0.63	–	–	–	–	–	–	41
A-5004-3188	626113-0200-014	2	5	5	14	1	–	0.66	–	–	–	–	–	–	42
A-5004-3272	626113-0150-014	1.5	5	5	14	1	–	0.65	–	–	–	–	–	–	42
A-5004-3273	626113-0080-014	0.8	5	5	14	0.6	–	0.62	–	–	–	–	–	–	41
A-5004-3274	626113-0080-020	0.8	4.8/11	5	14	0.6/1.0	–	0.69	–	–	–	–	–	–	41
A-5004-3282	626103-0301-040	3	31	5	40	2	–	0.8	–	–	–	–	–	–	44
A-5004-3284	626103-0303-040	3	31	5	40	2	–	1.6	–	–	–	–	–	–	46
A-5004-3285	626103-6180-001	–	–	–	10	–	5	1.65	–	–	–	–	–	–	54
A-5004-3427	626113-0100-030	1	5.0/21	5	30	0.8/1.0	–	0.8	–	–	–	–	–	–	41
A-5004-3428	626113-0250-040	2.5	31	5	40	1.5	–	2	–	–	–	–	–	–	42
A-5004-3429	626103-0600-050	6	40	5	50	3.5	–	1.5	–	–	–	–	–	–	43
A-5004-3430	626103-5030-000	–	–	5	30	–	–	1.3	–	–	–	–	–	–	48
A-5004-3437	626103-6110-001	–	–	–	6.5	–	5	0.64	–	–	–	–	–	–	52
A-5004-3519	626113-0103-020	1	11	5	20	0.8	–	0.7	–	–	–	–	–	–	41
A-5004-4166	–	1	5.0/20.0	11	30	0.8/1.0	–	6	–	–	–	–	–	–	7
A-5004-4513	–	3	31.5	5.5	50	2	–	4.5	–	–	–	–	–	–	55
A-5004-4546	626103-0311-040	3	31	5	40	2	–	0.8	–	–	–	–	–	–	45
A-5004-4561	–	–	–	4	30	1	–	2.9	–	–	–	–	–	–	58
A-5004-4635	626103-0801-070	8	70	5	70	5	–	2.6	–	–	–	–	–	–	44
A-5004-4653	626113-0150-020	1.5	11	5	20	1	–	0.72	–	–	–	–	–	–	42
A-5004-4757	–	6	30.5	4	43.5	2	–	1.2	–	–	–	–	–	–	56
A-5004-5753	–	0.2	2.3/12.5	3	17	0.18/1.0	–	0.4	–	–	–	–	–	–	61
A-5004-6728	–	6	32	4	40	2	–	2.7	–	–	–	–	–	–	56

Renishaw part no.	ZEISS part no.	DK (mm)	ML1/ML (mm)	DG/D (mm)	L (mm)	DS1/DS (mm)	EAL/B (mm)	Weight (g)	A (mm)	Thread/bore (mm)	Thread (from/to)	MB (mm)	G1 (mm)	SW (mm)	Page no.
A-5004-7583	602030-8302-000	–	–	4	20	–	–	1.6	–	–	–	–	–	–	58
A-5004-7585	602030-8322-000	–	–	3	10	–	–	0.5	–	–	–	–	–	–	66
A-5004-7586	602030-8323-000	–	–	3	20	–	–	1	–	–	–	–	–	–	66
A-5004-7591	602030-8324-000	–	–	3	30	–	–	1.4	–	–	–	–	–	–	66
A-5004-7592	602030-8341-000	–	–	4	5	–	–	0.5	–	–	M3/M2	–	–	–	59
A-5004-7609	602030-8301-000	–	–	4	10	–	–	0.7	–	–	–	–	–	–	58
A-5004-7610	602030-8321-000	–	–	3	5	–	–	0.2	–	–	–	–	–	–	66
A-5004-7611	602030-8325-000	–	–	3	40	–	–	2.2	–	–	–	–	–	–	66
A-5555-0013	600331-0001-000	–	–	18	10	–	–	12	–	–	–	–	–	–	35
A-5555-0014	602030-0018-000	–	–	18	12	–	–	10	–	–	–	–	–	–	35
A-5555-0018	602030-9010-000	3	15	11	25	2	–	4	–	–	–	–	–	–	7
A-5555-0019	600342-8020-000	3	23.5	11	33.5	2	–	4.5	–	–	–	–	–	–	7
A-5555-0020	602030-9011-000	3	40	11	50	2	–	5.2	–	–	–	–	–	–	7
A-5555-0021	600342-8021-000	3	48	11	58	2	–	5.5	–	–	–	–	–	–	7
A-5555-0022	600342-8025-000	4	23.5	11	33.5	2	–	4.5	–	–	–	–	–	–	7
A-5555-0024	602030-9013-000	5	40	11	50	3.5	–	9	–	–	–	–	–	–	8
A-5555-0025	600342-8022-000	5	43	11	53	3.5	–	9.8	–	–	–	–	–	–	8
A-5555-0026	602030-9015-000	5	65	11	75	3.5	–	12.5	–	–	–	–	–	–	8
A-5555-0027	600342-8026-000	6	44	11	54	3.5	–	10	–	–	–	–	–	–	8
A-5555-0028	600342-8027-000	7	45	11	55	3.5	–	10	–	–	–	–	–	–	8
A-5555-0029	600342-8023-000	8	50.5	11	63.5	6	–	24.8	–	–	–	–	–	–	8
A-5555-0030	–	8	41.5	19	63.5	6	–	36.7	–	–	–	–	–	–	8
A-5555-0031	–	8	61	11	74	6	–	29.5	–	–	–	–	–	–	8
A-5555-0032	602030-9016-000	8	62	11	75	6	–	30	–	–	–	–	–	–	8
A-5555-0033	602030-9017-000	8	87	11	100	6	–	40	–	–	–	–	–	–	8
A-5555-0034	600342-8024-000	8	101.5	11	114.5	6	–	45.8	–	–	–	–	–	–	8
A-5555-0035	600342-8124-000	8	92.5	19	114.5	6	–	57.5	–	–	–	–	–	–	8
A-5555-0036	–	9	51.5	11	64.5	6	–	26.3	–	–	–	–	–	–	8
A-5555-0037	600342-8128-000	9	42.5	19	64.5	6	–	36.8	–	–	–	–	–	–	8
A-5555-0038	600342-8029-000	10	52.5	11	65.5	6	–	25.8	–	–	–	–	–	–	8
A-5555-0039	–	10	43.5	19	65.5	6	–	37.8	–	–	–	–	–	–	8
A-5555-0040	602030-9018-000	10	105	11	118	6	–	47.3	–	–	–	–	–	–	8
A-5555-0041	600342-8013-000	5	43	11	53	3.5	–	4.6	–	–	–	–	–	–	14
A-5555-0042	600342-8016-000	6	44	11	54	3.5	–	4.7	–	–	–	–	–	–	14
A-5555-0043	600342-8017-000	7	45	11	55	3.5	–	5	–	–	–	–	–	–	14

Renishaw part no.	ZEISS part no.	DK (mm)	ML1/ML (mm)	DG/D (mm)	L (mm)	DS1/DS (mm)	EAL/B (mm)	Weight (g)	A (mm)	Thread/bore (mm)	Thread (from/to)	MB (mm)	G1 (mm)	SW (mm)	Page no.
A-5555-0044	600342-8014-000	8	50.5	11	63.5	6	–	8.3	–	–	–	–	–	–	14
A-5555-0045	600342-8018-000	9	51.5	11	64.5	6	–	8.4	–	–	–	–	–	–	14
A-5555-0046	–	9	42.5	19	64.5	6	–	21	–	–	–	–	–	–	14
A-5555-0047	600342-8019-000	10	52.5	11	65.5	6	–	9	–	–	–	–	–	–	14
A-5555-0048	–	10	43.5	19	65.5	6	–	38	–	–	–	–	–	–	14
A-5555-0049	–	8	41.5	19	63.5	6	–	33	–	–	–	–	–	–	14
A-5555-0050	600342-8015-000	8	101.5	11	114.5	6	–	11.8	–	–	–	–	–	–	14
A-5555-0051	–	8	92.5	19	114.5	6	–	38	–	–	–	–	–	–	14
A-5555-0052	602030-8060-000	0.8	4.8/12.0	11	32	0.6/1.0	–	6.8	–	–	–	–	–	–	15
A-5555-0053	602030-8061-000	1	5.0/12.0	11	32	0.8/1.0	–	6.8	–	–	–	–	–	–	15
A-5555-0054	602030-8062-000	1.35	12	11	32	1	–	6.9	–	–	–	–	–	–	15
A-5555-0055	602030-8063-000	1.35	19	11	44	1	–	7.5	–	–	–	–	–	–	15
A-5555-0056	602030-8064-000	1.5	12	11	32	1	–	6.5	–	–	–	–	–	–	15
A-5555-0057	602030-8065-000	1.5	19	11	44	1	–	7.5	–	–	–	–	–	–	15
A-5555-0058	602030-8066-000	2	12	11	32	1.5	–	7.3	–	–	–	–	–	–	15
A-5555-0059	602030-8067-000	2	19	11	44	1.5	–	8	–	–	–	–	–	–	15
A-5555-0060	602030-8068-000	2	33	11	58	1.5	–	8	–	–	–	–	–	–	15
A-5555-0061	602030-8069-000	2.5	12	11	32	1.5	–	7.3	–	–	–	–	–	–	15
A-5555-0062	602030-8070-000	2.5	19	11	44	1.5	–	8	–	–	–	–	–	–	15
A-5555-0063	602030-8071-000	2.5	33	11	58	1.5	–	8	–	–	–	–	–	–	15
A-5555-0064	602030-9019-000	1	5	11	55	0.8	–	11.9	–	–	–	–	–	–	16
A-5555-0065	602030-9020-000	1.5	5	11	55	1	–	11.9	–	–	–	–	–	–	16
A-5555-0066	602030-9021-000	2	5	11	55	1.5	–	11.9	–	–	–	–	–	–	16
A-5555-0067	–	2.5	5	11	55	2	–	11.9	–	–	–	–	–	–	16
A-5555-0068	602030-9023-000	3.5	10	11	55	2.5	–	11.9	–	–	–	–	–	–	16
A-5555-0069	–	1	7	–	45	0.8/2.0	15	17.3	–	–	–	–	–	–	16
A-5555-0070	602030-9025-000	1.5	7.5	–	45	1.0/2.0	15	17.3	–	–	–	–	–	–	16
A-5555-0071	–	2	7.5	–	45	1.5/2.0	15	17.3	–	–	–	–	–	–	16
A-5555-0072	602030-9027-000	2.5	8	–	45	1.5/2.0	15	17.3	–	–	–	–	–	–	16
A-5555-0073	–	3.5	15	–	45	2	15	17.3	–	–	–	–	–	–	16
A-5555-0074	–	1.35	9	11	40	1	2	11	–	–	–	–	–	–	24
A-5555-0075	–	2.3	12	11	40	1	2.5	13	–	–	–	–	–	–	24
A-5555-0076	–	1.8	10	11	40	1	2	12	–	–	–	–	–	–	24
A-5555-0077	–	0.8	5	11	40	0.6	1.9	7	–	–	–	–	–	–	24
A-5555-0078	600342-8200-000	1.35	23.85	11	32.85	1	–	6	–	–	–	–	–	–	17

Renishaw part no.	ZEISS part no.	DK (mm)	ML1/ML (mm)	DG/D (mm)	L (mm)	DS1/DS (mm)	EAL/B (mm)	Weight (g)	A (mm)	Thread/bore (mm)	Thread (from/to)	MB (mm)	G1 (mm)	SW (mm)	Page no.
A-5555-0079	600342-8201-000	1.5	24	11	33	1	–	7	–	–	–	–	–	–	17
A-5555-0080	600342-8202-000	2	24.5	11	33.5	1	–	7	–	–	–	–	–	–	17
A-5555-0081	600342-8203-000	2.5	25	11	34	1.5	–	7	–	–	–	–	–	–	17
A-5555-0082	600342-8221-000	3	16.5	19	34.5	2	–	20	–	–	–	–	–	–	17
A-5555-0083	600342-8222-000	5	25.5	19	43.5	3.5	–	23	–	–	–	–	–	–	17
A-5555-0084	600342-8250-000	0.3	2.3/12.8	11	21.8	0.2/1.0	–	6	–	–	–	–	–	–	17
A-5555-0085	600342-8251-000	0.5	2.5/13.0	11	22	0.3/1.0	–	6	–	–	–	–	–	–	17
A-5555-0086	600342-8252-000	0.6	4.6/13.1	11	22.1	0.4/1.0	–	6	–	–	–	–	–	–	17
A-5555-0087	600342-8253-000	0.8	4.8/13.3	11	22.3	0.6/1.0	–	6	–	–	–	–	–	–	17
A-5555-0088	600342-8254-000	1	5.0/13.5	11	22.5	0.8/1.0	–	6	–	–	–	–	–	–	17
A-5555-0089	600341-0140-000	–	–	11	–	–	1.5	1	–	–	–	–	–	–	19
A-5555-0090	600341-0141-000	–	–	19	–	–	2	4	–	–	–	–	–	–	19
A-5555-0091	600341-0150-000	–	–	11	–	–	2	1	–	–	–	–	–	–	19
A-5555-0092	600341-0151-000	–	–	19	–	–	4	7	–	–	–	–	–	–	19
A-5555-0093	600341-0520-000	–	–	1	10	–	–	1	–	–	–	–	–	–	19
A-5555-0094	600341-0521-000	–	–	1.5	10	–	–	1	–	–	–	–	–	–	19
A-5555-0095	600341-0522-000	–	–	2	18	–	–	1	–	–	–	–	–	–	19
A-5555-0096	600341-0523-000	–	–	3.5	18	–	–	3	–	–	–	–	–	–	19
A-5555-0099	–	–	–	18	30	–	–	43	–	–	–	–	–	–	26
A-5555-0104	600341-8160-000	–	–	11	45	1-1.5/6	–	16	–	–	–	–	–	–	21
A-5555-0105	600341-8367-000	–	–	11	10	1	–	3.2	–	–	–	–	–	–	21
A-5555-0106	600341-8368-000	–	–	11	10	1.5	–	3.2	–	–	–	–	–	–	21
A-5555-0107	600341-8454-000	1	5	–	16	0.8/1.0	–	1	–	–	–	–	–	–	20
A-5555-0108	600341-8450-000	0.3	2.3	–	15.3	0.2/1.0	–	1	–	–	–	–	–	–	20
A-5555-0109	600341-8451-000	0.5	2.5	–	15.5	0.3/1.0	–	1	–	–	–	–	–	–	20
A-5555-0110	600341-8452-000	0.6	4.6	–	15.6	0.4/1.0	–	1	–	–	–	–	–	–	20
A-5555-0111	600341-8453-000	0.8	4.8	–	15.8	0.6/1.0	–	1	–	–	–	–	–	–	20
A-5555-0112	600341-8500-000	1.35	–	–	26.35	1	–	1	–	–	–	–	–	–	20
A-5555-0113	600341-8501-000	1.5	–	–	26.5	1	–	1	–	–	–	–	–	–	20
A-5555-0114	600341-8502-000	2	–	–	27	1.5	–	1	–	–	–	–	–	–	20
A-5555-0115	600341-8503-000	2.5	–	–	27.5	1.5	–	1	–	–	–	–	–	–	20
A-5555-0116	600341-8510-000	3	–	–	38	2	–	2	–	–	–	–	–	–	20
A-5555-0117	600341-8511-000	5	–	–	45	3.5	–	6	–	–	–	–	–	–	20
A-5555-0118	600341-8180-000	–	–	11	40	1-1.5/6	–	15	–	–	–	–	–	–	22
A-5555-0118	626105-6901-001	–	–	11	40	1-1.5/6	–	15	–	–	–	–	–	–	22

Renishaw part no.	ZEISS part no.	DK (mm)	ML1/ML (mm)	DG/D (mm)	L (mm)	DS1/DS (mm)	EAL/B (mm)	Weight (g)	A (mm)	Thread/bore (mm)	Thread (from/to)	MB (mm)	G1 (mm)	SW (mm)	Page no.
A-5555-0119	600341-8183-000	1	5	1	17.5	0.8/1.0	–	1	–	–	–	–	–	–	22
A-5555-0120	600341-8185-000	2	24.5	1.5	28.5	1.5	–	1	–	–	–	–	–	–	22
A-5555-0121	600341-8090-000	10	–	7	21.5	–	1.5	3	–	–	–	–	–	–	23
A-5555-0122	600341-8095-000	15	–	10	21.5	–	1.5	6	–	–	–	–	–	–	23
A-5555-0123	602030-8091-000	20	–	7	60	–	1	8	–	–	–	–	–	–	23
A-5555-0124	000000-1165-629	15	–	7	40	–	1	5	–	–	–	–	–	–	23
A-5555-0125	600341-8423-000	–	–	20	200	–	–	84.7	–	–	–	–	–	–	33
A-5555-0126	600341-8421-000	–	–	20	150	–	–	67.4	–	–	–	–	–	–	33
A-5555-0127	600341-8422-000	–	–	20	100	–	–	50.7	–	–	–	–	–	–	33
A-5555-0128	600341-8423-000	–	–	20	80	–	–	44.8	–	–	–	–	–	–	33
A-5555-0129	600341-8424-000	–	–	20	60	–	–	37.7	–	–	–	–	–	–	33
A-5555-0130	600341-8425-000	–	–	20	40	–	–	29	–	–	–	–	–	–	33
A-5555-0131	600341-8265-000	–	–	11	120	–	–	30.9	–	–	–	–	–	–	33
A-5555-0132	600341-8264-000	–	–	11	100	–	–	25.6	–	–	–	–	–	–	33
A-5555-0133	600341-8263-000	–	–	11	80	–	–	20.6	–	–	–	–	–	–	33
A-5555-0134	600341-8262-000	–	–	11	60	–	–	15.4	–	–	–	–	–	–	33
A-5555-0135	600341-8261-000	–	–	11	40	–	–	10.3	–	–	–	–	–	–	33
A-5555-0136	600341-0260-000	–	–	11	100	–	–	73	–	–	–	–	–	–	33
A-5555-0137	600341-0258-000	–	–	11	80	–	–	58	–	–	–	–	–	–	33
A-5555-0138	600341-0256-000	–	–	11	60	–	–	42	–	–	–	–	–	–	33
A-5555-0139	600341-0254-000	–	–	11	40	–	–	28	–	–	–	–	–	–	33
A-5555-0140	600341-0252-000	–	–	11	20	–	–	13	–	–	–	–	–	–	33
A-5555-0141	600341-0251-000	–	–	11	15	–	–	9	–	–	–	–	–	–	33
A-5555-0142	600341-0250-000	–	–	11	10	–	–	6	–	–	–	–	–	–	33
A-5555-0143	602030-9044-000	–	–	11	10	–	–	3.6	–	–	–	–	–	–	31
A-5555-0144	602030-9045-000	–	–	11	15	–	–	5.7	–	–	–	–	–	–	31
A-5555-0145	602030-9046-000	–	–	11	20	–	–	7.8	–	–	–	–	–	–	31
A-5555-0146	602030-9047-000	–	–	11	25	–	–	9.7	–	–	–	–	–	–	31
A-5555-0147	602030-9048-000	–	–	18	25	–	–	27.3	–	–	–	–	–	–	31
A-5555-0148	602030-9049-000	–	–	11	40	–	–	16.1	–	–	–	–	–	–	31
A-5555-0149	602030-9050-000	–	–	18	40	–	–	44.7	–	–	–	–	–	–	31
A-5555-0150	602030-9051-000	–	–	11	50	–	–	12.7	–	–	–	–	–	–	31
A-5555-0151	602030-9052-000	–	–	18	50	–	–	36.3	–	–	–	–	–	–	31
A-5555-0152	602030-9051-000	–	–	11	60	–	–	12.7	–	–	–	–	–	–	31
A-5555-0153	602030-9054-000	–	–	18	60	–	–	38.3	–	–	–	–	–	–	31

Renishaw part no.	ZEISS part no.	DK (mm)	ML1/ML (mm)	DG/D (mm)	L (mm)	DS1/DS (mm)	EAL/B (mm)	Weight (g)	A (mm)	Thread/bore (mm)	Thread (from/to)	MB (mm)	G1 (mm)	SW (mm)	Page no.
A-5555-0154	602030-9055-000	–	–	11	75	–	–	15	–	–	–	–	–	–	31
A-5555-0155	602030-9056-000	–	–	18	75	–	–	42.8	–	–	–	–	–	–	31
A-5555-0156	602030-9057-000	–	–	11	80	–	–	15.6	–	–	–	–	–	–	31
A-5555-0157	602030-9058-000	–	–	18	80	–	–	44.2	–	–	–	–	–	–	31
A-5555-0158	602030-9059-000	–	–	11	90	–	–	16.2	–	–	–	–	–	–	31
A-5555-0159	602030-9060-000	–	–	18	90	–	–	47.3	–	–	–	–	–	–	31
A-5555-0160	602030-9061-000	–	–	11	100	–	–	17.3	–	–	–	–	–	–	31
A-5555-0161	602030-9062-000	–	–	18	100	–	–	49.4	–	–	–	–	–	–	31
A-5555-0162	602030-9063-000	–	–	11	120	–	–	19.4	–	–	–	–	–	–	31
A-5555-0163	602030-9064-000	–	–	18	120	–	–	55.1	–	–	–	–	–	–	31
A-5555-0164	602030-9065-000	–	–	11	150	–	–	22.4	–	–	–	–	–	–	31
A-5555-0165	602030-9066-000	–	–	18	150	–	–	65	–	–	–	–	–	–	31
A-5555-0166	602030-9067-000	–	–	18	200	–	–	79.3	–	–	–	–	–	–	31
A-5555-0167	602030-9068-000	–	–	18	250	–	–	92.4	–	–	–	–	–	–	31
A-5555-0168	602030-9069-000	–	–	18	300	–	–	107	–	–	–	–	–	–	31
A-5555-0189	600341-8361-000	–	–	–	–	–	15	12.6	–	–	–	–	–	–	27
A-5555-0190	600341-8002-000	–	–	–	–	–	20	31.5	–	–	–	–	–	–	27
A-5555-0191	602030-8363-000	–	–	–	–	–	15	7.5	–	–	–	–	–	–	28
A-5555-0192	602030-8362-000	–	–	–	–	–	20	20	–	–	–	–	–	–	28
A-5555-0194	–	–	–	–	40	–	20	64	–	–	–	–	–	–	30
A-5555-0196	602030-0004-000	15	–	–	–	–	4	5	–	M5	–	–	–	–	26
A-5555-0197	602030-0005-000	20	–	–	–	–	4	9	–	M5	–	–	–	–	26
A-5555-0198	602030-0006-000	30	–	–	–	–	4	21	–	M5	–	–	–	–	26
A-5555-0199	602030-0007-000	40	–	–	–	–	5	42	–	M5	–	–	–	–	26
A-5555-0200	602030-0008-000	50	–	–	–	–	5	64	–	M5	–	–	–	–	26
A-5555-0201	602030-0009-000	60	–	–	–	–	5	89	–	M5	–	–	–	–	26
A-5555-0203	602030-0011-000	20	–	–	–	–	4	8	–	8	–	–	–	–	26
A-5555-0204	600341-0200-000	20	–	–	–	–	2	4	–	8	–	–	–	–	26
A-5555-0205	600341-0203-000	30	–	–	–	–	4	10	–	8	–	–	–	–	26
A-5555-0206	600341-0204-000	40	–	–	–	–	4	21	–	8	–	–	–	–	26
A-5555-0207	600341-0205-000	50	–	–	–	–	5	36	–	8	–	–	–	–	26
A-5555-0208	600341-0206-000	60	–	–	–	–	6	59	–	8	–	–	–	–	26
A-5555-0209	–	–	10	10	16	–	–	4	–	–	–	1.8	M4	–	34
A-5555-0210	–	–	10	10	16	–	–	4	–	–	–	1.8	M5	–	34
A-5555-0211	–	–	12	12	18	–	–	7	–	–	–	1.8	M6	–	34

Renishaw part no.	ZEISS part no.	DK (mm)	ML1/ML (mm)	DG/D (mm)	L (mm)	DS1/DS (mm)	EAL/B (mm)	Weight (g)	A (mm)	Thread/bore (mm)	Thread (from/to)	MB (mm)	G1 (mm)	SW (mm)	Page no.
A-5555-0212	–	–	12	15	20	–	–	13	–	–	–	3	M8	–	34
A-5555-0213	–	–	15	18	25	–	–	25	–	–	–	3	M10	–	34
A-5555-0214	–	–	15	20	25	–	–	33	–	–	–	3	M12	–	34
A-5555-0215	600331-8093-000	5	–	19	80	3.5	–	70	–	–	–	–	–	–	25
A-5555-0216	600342-8051-000	30°	39	11	61	3.5	–	12	–	–	–	–	–	–	24
A-5555-0217	–	–	–	–	120	–	20	87	–	–	–	–	–	–	30
A-5555-0218	600342-9002-000	–	–	11	30	–	–	11.2	–	–	–	–	–	–	27
A-5555-0219	–	–	–	18	36	–	–	37.2	–	–	–	–	–	–	27
A-5555-0221	600341-0210	–	26	–	35	–	–	9	–	–	–	–	–	–	34
A-5555-0222	600341-0211	–	21	–	30	–	–	9	–	–	–	–	–	–	34
A-5555-0223	600341-0212	–	9	–	17.5	–	–	7	–	–	–	–	–	–	34
A-5555-0224	–	–	26	–	–	–	–	4	–	–	–	–	–	–	34
A-5555-0225	–	–	21	–	–	–	–	3	–	–	–	–	–	–	34
A-5555-0226	602030-0215-000	–	–	11	10	–	–	5.2	–	–	M5/M2	–	–	–	35
A-5555-0227	602030-0315-000	–	–	11	10	–	–	5.2	–	–	M5/M3	–	–	–	35
A-5555-0228	–	–	–	11	10	–	–	5.2	–	–	M5/M4	–	–	–	35
A-5555-0231	–	–	–	15.81	119	–	–	126	M2	–	–	–	–	–	35
A-5555-0232	602030-9115-000	–	–	9.52	127	–	–	87	M2	–	–	–	–	–	35
A-5555-0233	602030-0001-000	–	–	1.2	23	–	–	1	–	–	–	–	–	–	59
A-5555-0234	602030-0002-000	–	–	–	–	–	1.5	–	–	–	–	–	–	–	60
A-5555-0235	602030-0042-000	–	–	–	–	–	0.9	–	–	–	–	–	–	–	60
A-5555-0236	602030-0021-000	–	–	–	–	–	2.5	–	–	–	–	–	–	–	60
A-5555-0238	600341-8596-000	–	–	2.9	70	–	–	–	–	–	–	–	–	–	36
A-5555-0240	000000-0015-323	–	–	2.9	70	–	–	–	–	–	–	–	–	–	36
A-5555-0251	600660-8251-000	–	–	–	–	–	–	144	–	–	–	–	–	–	38
A-5555-0253	620660-8251-000	–	–	–	–	–	–	144	–	–	–	–	–	–	39
A-5555-0255	600667-9601-000	–	–	–	–	–	–	153	–	–	–	–	–	–	38
A-5555-0256	600667-9611-000	–	–	–	–	–	–	306	–	–	–	–	–	–	38
A-5555-0258	626107-2000-940	–	–	–	–	–	–	130	–	–	–	–	–	–	38
A-5555-0261	602030-8104-000	2	14	4	22	1	–	1	–	–	–	–	–	–	55
A-5555-0262	602030-8113-000	3	21.5	5.5	40	2	–	4	–	–	–	–	–	–	55
A-5555-0264	602030-8102-000	4	26	4	32	2	–	1	–	–	–	–	–	–	56
A-5555-0266	602030-8101-000	5	24.5	4	32.5	2	–	1	–	–	–	–	–	–	56
A-5555-0267	602030-8115-000	0.5	2.5/11.25	4	21.25	0.3/1.0	–	1	–	–	–	–	–	–	55
A-5555-0268	602030-8116-000	0.6	4.6/9.0	4	22	0.4/1.0	–	1	–	–	–	–	–	–	55

Renishaw part no.	ZEISS part no.	DK (mm)	ML1/ML (mm)	DG/D (mm)	L (mm)	DS1/DS (mm)	EAL/B (mm)	Weight (g)	A (mm)	Thread/bore (mm)	Thread (from/to)	MB (mm)	G1 (mm)	SW (mm)	Page no.
A-5555-0269	602030-8117-000	0.8	4.8/9.0	4	22	0.4/1.0	–	1	–	–	–	–	–	–	55
A-5555-0270	602030-8118-000	1	5.0/9.0	4	22	0.8/1.0	–	1	–	–	–	–	–	–	55
A-5555-0271	602030-8119-000	1.5	9	4	22	1	–	1	–	–	–	–	–	–	55
A-5555-0272	602030-8120-000	1	5.0/5.5	4	10.5	0.8/1.0	–	1	–	–	–	–	–	–	55
A-5555-0273	602030-8121-000	0.3	2.3/9.0	4	22	0.2/1.0	–	1	–	–	–	–	–	–	55
A-5555-0274	602030-8023-000	2	15	4	21	1	–	1	–	–	–	–	–	–	55
A-5555-0275	602030-8020-000	6	9	4	13	2	–	1	–	–	–	–	–	–	56
A-5555-0276	602030-8021-000	3	15.5	4	21.5	1.5	–	1	–	–	–	–	–	–	55
A-5555-0277	602030-8106-000	3	13	4	21	2	–	1	–	–	–	–	–	–	55
A-5555-0278	602030-8002-000	6	9	3	13	2	–	1	–	–	–	–	–	–	62
A-5555-0279	–	5	16.5	3	22.5	2	–	1	–	–	–	–	–	–	62
A-5555-0282	602030-8001-000	2	5	3	11	1	–	1	–	–	–	–	–	–	61
A-5555-0283	602030-8034-000	5	16.5	3	22.5	2	–	1	–	–	–	–	–	–	61
A-5555-0286	602030-8303-000	–	–	4	30	–	–	2.6	–	–	–	–	–	–	58
A-5555-0287	602030-8304-000	–	–	4	40	–	–	3.7	–	–	–	–	–	–	58
A-5555-0288	602030-8305-000	–	–	4	50	–	–	4.7	–	–	–	–	–	–	58
A-5555-0294	602030-8011-000	2	9.5	–	32	1.4	5.5	1	–	–	–	–	–	–	63
A-5555-0295	602030-8010-000	2	4.5	–	22	1.4	5.5	1	–	–	–	–	–	–	63
A-5555-0296	602030-8012-000	2	13.5	3	19.5	1.5	–	1	–	–	–	–	–	–	64
A-5555-0297	602030-8201-000	8	19	3	32	1.5	1.5	1	–	–	–	–	–	–	64
A-5555-0298	602030-8202-000	4	19	3	32	1	1	1	–	–	–	–	–	–	64
A-5555-0299	602030-8203-000	14	–	–	5.5	–	2	1	–	–	–	–	–	–	65
A-5555-0300	602030-8204-000	20	–	–	5.5	–	2.5	3	–	–	–	–	–	–	65
A-5555-0303	602030-8382-000	–	–	–	11.5	–	12	4.2	–	–	–	–	–	–	58
A-5555-0306	602030-8345-000	–	–	4	5	–	–	0.5	–	–	M2/M3	–	–	–	59
A-5555-0307	000000-1018-201	–	–	–	–	–	–	–	–	–	–	–	–	–	60
A-5555-0308	602030-8006-000	1	6.5	3	10.5	0.8	–	0.3	–	–	–	–	–	–	61
A-5555-0309	–	1	11.5	3	15.5	0.8	–	0.3	–	–	–	–	–	–	61
A-5555-0310	602030-8008-000	2	7	3	16	1	–	1	–	–	–	–	–	–	61
A-5555-0311	602030-8009-000	2	12	3	16	1	–	1	–	–	–	–	–	–	61
A-5555-0312	602030-8015-000	4	6	3	12	1	–	1	–	–	–	–	–	–	61
A-5555-0313	602030-8016-000	4	16	3	22	2	–	1	–	–	–	–	–	–	61
A-5555-0314	–	6	13	3	13	3	–	0.9	–	–	–	–	–	–	63
A-5555-0315	–	6	28	3	28	3	–	1.8	–	–	–	–	–	–	63
A-5555-0316	–	8	13	3	13	3	–	2	–	–	–	–	–	–	63

Renishaw part no.	ZEISS part no.	DK (mm)	ML1/ML (mm)	DG/D (mm)	L (mm)	DS1/DS (mm)	EAL/B (mm)	Weight (g)	A (mm)	Thread/bore (mm)	Thread (from/to)	MB (mm)	G1 (mm)	SW (mm)	Page no.
A-5555-0319	602030-9104-000	–	–	–	9.1	–	10.5	3.4	–	–	–	–	–	–	67
A-5555-0320	602030-9103-000	–	–	–	5.4	–	7	1	–	–	–	–	–	–	67
A-5555-0322	–	–	–	–	–	–	–	72	–	–	–	–	–	–	38
A-5555-0328	000000-0015-245	–	–	–	–	–	2	–	–	–	–	–	–	–	60
A-5555-0329	626115-0150-033	1.5	24	11	33	1	–	7	–	–	–	–	–	–	18
A-5555-0331	626115-0030-022	0.3	2.3/12.8	11	21.8	0.2/1.0	–	6	–	–	–	–	–	–	18
A-5555-0410	626105-0510-100	5	90	11	100	3.5	–	5.4	–	–	–	–	–	–	12
A-5555-0424	626107-1150-100	–	–	11	150	–	–	17	–	–	–	–	–	–	32
A-5555-0425	626107-1120-100	–	–	11	120	–	–	15	–	–	–	–	–	–	32
A-5555-0427	626107-2250-100	–	–	20	250	–	–	55	–	–	–	–	–	–	32
A-5555-0498	612030-9661-000	4.5	43	11	53	3.5	–	8	–	–	–	–	–	–	8
A-5555-0619	–	–	–	11	35	–	–	13.9	–	–	–	–	–	–	31
A-5555-0620	626107-2040-100	–	–	20	40	–	–	26	–	–	–	–	–	–	32
A-5555-0621	626107-2080-100	–	–	20	80	–	–	32	–	–	–	–	–	–	32
A-5555-0623	626107-1070-100	–	–	11	70	–	–	11	–	–	–	–	–	–	32
A-5555-0642	626107-1300-100	–	–	11	300	–	–	27	–	–	–	–	–	–	32
A-5555-0643	626105-1020-150	10	137	11	150	6	–	16	–	–	–	–	–	–	13
A-5555-0644	626105-1020-200	10	187	11	200	6	–	19	–	–	–	–	–	–	13
A-5555-0647	626107-1040-100	–	–	11	40	–	–	9	–	–	–	–	–	–	32
A-5555-0648	626107-1050-100	–	–	11	50	–	–	10	–	–	–	–	–	–	32
A-5555-0649	626107-1060-100	–	–	11	60	–	–	11	–	–	–	–	–	–	32
A-5555-0650	626107-1080-100	–	–	11	80	–	–	12	–	–	–	–	–	–	32
A-5555-0651	626107-1090-100	–	–	11	90	–	–	13	–	–	–	–	–	–	32
A-5555-0652	626107-1100-100	–	–	11	100	–	–	14	–	–	–	–	–	–	32
A-5555-0653	626107-1180-100	–	–	11	180	–	–	19	–	–	–	–	–	–	32
A-5555-0654	626107-1200-100	–	–	11	200	–	–	21	–	–	–	–	–	–	32
A-5555-0655	626107-1250-100	–	–	11	250	–	–	24	–	–	–	–	–	–	32
A-5555-0656	626107-1400-100	–	–	11	400	–	–	34	–	–	–	–	–	–	32
A-5555-0657	626107-2050-100	–	–	20	50	–	–	28	–	–	–	–	–	–	32
A-5555-0658	626107-2060-100	–	–	20	60	–	–	29	–	–	–	–	–	–	32
A-5555-0659	626107-2100-100	–	–	20	100	–	–	34	–	–	–	–	–	–	32
A-5555-0660	626107-2120-100	–	–	20	120	–	–	37	–	–	–	–	–	–	32
A-5555-0661	626107-2150-100	–	–	20	150	–	–	41	–	–	–	–	–	–	32
A-5555-0662	626107-2180-100	–	–	20	180	–	–	45	–	–	–	–	–	–	32
A-5555-0663	626107-2200-100	–	–	20	200	–	–	48	–	–	–	–	–	–	32

Renishaw part no.	ZEISS part no.	DK (mm)	ML1/ML (mm)	DG/D (mm)	L (mm)	DS1/DS (mm)	EAL/B (mm)	Weight (g)	A (mm)	Thread/bore (mm)	Thread (from/to)	MB (mm)	G1 (mm)	SW (mm)	Page no.
A-5555-0664	626107-2300-100	–	–	20	300	–	–	62	–	–	–	–	–	–	32
A-5555-0665	626107-2400-100	–	–	20	400	–	–	75	–	–	–	–	–	–	32
A-5555-0667	626107-2500-100	–	–	20	500	–	–	89	–	–	–	–	–	–	32
A-5555-0668	626107-2600-100	–	–	20	600	–	–	103	–	–	–	–	–	–	32
A-5555-0671	–	–	–	20	50	–	–	33.3	–	–	–	–	–	–	33
A-5555-0686	626115-0250-034	2.5	25	11	34	1.5	–	7	–	–	–	–	–	–	18
A-5555-0699	626107-2025-130	–	66.5	20	25	–	15	60	–	–	–	–	–	–	40
A-5555-0700	626107-2080-130	–	121.5	20	80	–	15	68	–	–	–	–	–	–	40
A-5555-0701	626107-2150-130	–	191.5	20	150	–	15	77	–	–	–	–	–	–	40
A-5555-0713	–	–	–	11	29	–	–	13	–	–	–	–	–	–	26
A-5555-0720	626105-0821-063	8	50.5	11	63.5	6	–	7	–	–	–	–	–	–	13
A-5555-0730	626105-0300-050	3	40	11	50	2	–	4.5	–	–	–	–	–	–	12
A-5555-0731	626105-0400-064	4	54	11	64	2	–	4.6	–	–	–	–	–	–	12
A-5555-0732	626105-0510-050	5	40	11	50	3.5	–	4.8	–	–	–	–	–	–	12
A-5555-0733	626105-0610-054	6	44	11	54	3.5	–	4.9	–	–	–	–	–	–	12
A-5555-0734	626105-0710-055	7	45	11	55	3.5	–	4.9	–	–	–	–	–	–	12
A-5555-0735	626105-0510-075	5	65	11	75	3.5	–	5	–	–	–	–	–	–	12
A-5555-0799	626115-0140-033	1.35	23.85	11	32.85	1	–	6	–	–	–	–	–	–	18
A-5555-0805	–	5	20	11	30	3.5	–	8	–	–	–	–	–	–	8
A-5555-0946	–	8	137	11	150	6	–	60	–	–	–	–	–	–	8
A-5555-0950	000000-1251-674	–	–	11	30	–	–	12.1	–	–	–	–	–	–	31
A-5555-0952	–	2	30	11	40	1.5	–	7	–	–	–	–	–	–	7
A-5555-0965	–	1.5	7.0/24.0	11	33	1.0/1.5	–	7	–	–	–	–	–	–	18
A-5555-0974	–	4	20	11	30	2	–	4.4	–	–	–	–	–	–	7
A-5555-1027	626105-1020-065	10	52.5	11	65.5	6	–	8	–	–	–	–	–	–	12
A-5555-1054	–	1	5.0/15.0	11	25	0.8/1.0	–	6	–	–	–	–	–	–	7
A-5555-1060	–	2	20	11	30	1.5	–	7	–	–	–	–	–	–	7
A-5555-1065	626105-0511-100	5	90	11	100	3.5	–	5.4	–	–	–	–	–	–	13
A-5555-1077	–	2	10	11	20	1	–	6	–	–	–	–	–	–	7
A-5555-1093	–	–	–	11	51	–	–	19	–	–	–	–	–	–	27
A-5555-1095	000000-1120-407	0.6	4.6/12.0	11	32	0.4/1.0	–	6.5	–	–	–	–	–	–	15
A-5555-1097	626105-6901-001	–	17	11	22.5	–	–	6	–	–	–	–	–	–	22
A-5555-1101	–	0.5	2.5/13.5	3	18	0.3/1.0	–	0.4	–	–	–	–	–	–	61
A-5555-1112	626105-0820-200	8	187	11	200	6	–	13	–	–	–	–	–	–	12
A-5555-1114	626103-0501-075	5	66	5	75	3.5	–	1.8	–	–	–	–	–	–	43

Renishaw part no.	ZEISS part no.	DK (mm)	ML1/ML (mm)	DG/D (mm)	L (mm)	DS1/DS (mm)	EAL/B (mm)	Weight (g)	A (mm)	Thread/bore (mm)	Thread (from/to)	MB (mm)	G1 (mm)	SW (mm)	Page no.
A-5555-1115	626103-0600-100	6	91	5	100	3.5	–	2.4	–	–	–	–	–	–	43
A-5555-1118	–	6	42	4	50	2	–	3.2	–	–	–	–	–	–	56
A-5555-1135	–	0.8	30	11	40	0.6/4.0	–	9	8	–	–	–	–	–	25
A-5555-1141	–	0.2	2.3	–	15.2	0.18/1.0	–	1	–	–	–	–	–	–	20
A-5555-1153	–	0.6	30	11	40	0.4/4.0	–	9	8	–	–	–	–	–	25
A-5555-1157	626115-0050-022	0.5	2.5/13.0	11	22	0.3/1.0	–	6	–	–	–	–	–	–	18
A-5555-1169	626105-0821-150	8	137	11	150	6	–	11	–	–	–	–	–	–	14
A-5555-1171	626105-1021-200	10	187	11	200	6	–	19	–	–	–	–	–	–	14
A-5555-1179	626105-0821-200	8	187	11	200	6	–	13	–	–	–	–	–	–	14
A-5555-1235	620161-8055-000	–	–	–	–	–	–	–	–	–	–	–	–	–	49
A-5555-1236	620161-8058-000	–	–	–	–	–	–	–	–	–	–	–	–	–	49
A-5555-1237	620161-8065-000	–	–	–	75	–	–	5.4	–	–	–	–	–	–	50
A-5555-1238	620161-8068-000	–	–	–	75	–	–	5.4	–	–	–	–	–	–	50
A-5555-1239	620161-8075-000	–	–	–	–	–	–	–	–	–	–	–	–	–	50
A-5555-1240	620161-8078-000	–	–	–	–	–	–	–	–	–	–	–	–	–	51
A-5555-1241	626103-8031-055	–	–	–	55	–	–	6.3	–	–	–	–	–	–	49
A-5555-1242	626103-8033-055	–	–	–	55	–	–	6.3	–	–	–	–	–	–	51
A-5555-1245	626115-5000-199	–	–	11	10	2	–	3.2	–	–	–	–	–	–	21
A-5555-1251	626103-0300-040	3	31	5	40	2	–	0.8	–	–	–	–	–	–	43
A-5555-1271	–	5	90	11	100	3.5	–	15	–	–	–	–	–	–	8
A-5555-1273	626103-0302-020	3	11	5	20	2	–	0.8	–	–	–	–	–	–	45
A-5555-1274	626103-0302-030	3	21	5	30	2	–	0.9	–	–	–	–	–	–	45
A-5555-1275	626103-0302-040	3	31	5	40	2	–	1	–	–	–	–	–	–	45
A-5555-1276	626103-5150-000	–	–	5	150	–	–	2.7	–	–	–	–	–	–	48
A-5555-1277	–	0.7	4.6	–	15.7	0.4/1.0	–	1	–	–	–	–	–	–	20
A-5555-1308	–	–	–	3	35	–	–	1.8	–	–	–	–	–	–	66
A-5555-1425	–	3.5	85	11	100	2.5	–	7	–	–	–	–	–	–	7
A-5555-1478	626115-6110-001	–	–	–	–	–	15	12.6	–	–	–	–	–	–	27
A-5555-1495	–	1	20	11	30	0.8	–	6	–	–	–	–	–	–	7
A-5555-1508	–	3.5	48	11	58	2	–	6	–	–	–	–	–	–	7
A-5555-1551	–	–	–	–	–	–	15	13	–	–	–	–	–	–	28
A-5555-1563	–	2	15	11	25	1	–	6	–	–	–	–	–	–	7
A-5555-1618	–	8	40	11	50	5	–	24	–	–	–	–	–	–	8
A-5555-1628	626115-1200-118	12	105	11	118	6	–	49	–	–	–	–	–	–	8
A-5555-1679	–	1	5.0/10.0	11	20	0.8/1.0	–	6	–	–	–	–	–	–	7

Renishaw part no.	ZEISS part no.	DK (mm)	ML1/ML (mm)	DG/D (mm)	L (mm)	DS1/DS (mm)	EAL/B (mm)	Weight (g)	A (mm)	Thread/bore (mm)	Thread (from/to)	MB (mm)	G1 (mm)	SW (mm)	Page no.
A-5555-1773	–	0.5	2.5/12.0	11	32	0.3/1.0	–	6.5	–	–	–	–	–	–	15
A-5555-1828	626105-0301-033	3	23.5	11	33.5	2	–	4.2	–	–	–	–	–	–	13
A-5555-1842	626115-0060-022	0.6	1.6/13.1	11	22.1	0.4/1.0	–	6	–	–	–	–	–	–	18
A-5555-1843	626115-0100-022	1	5.0/13.5	11	22.5	0.8/1.0	–	6	–	–	–	–	–	–	18
A-5555-1844	626115-0080-022	0.8	4.8/13.3	11	22.3	0.6/1.0	–	6	–	–	–	–	–	–	18
A-5555-1847	626105-0300-033	3	23.5	11	33.5	2	–	4.2	–	–	–	–	–	–	12
A-5555-1855	626107-2050-110	–	96.5	20	50	–	20	78	–	–	–	–	–	–	40
A-5555-1892	626115-6110-002	–	–	–	–	–	15	13	–	–	–	–	–	–	28
A-5555-1916	626105-0300-025	3	15	11	25	2	–	4	–	–	–	–	–	–	12
A-5555-1917	626105-0400-033	4	23.5	11	33.5	2	–	4.2	–	–	–	–	–	–	12
A-5555-1918	626105-0820-100	8	87	11	100	6	–	7.5	–	–	–	–	–	–	12
A-5555-1937	626107-2150-110	–	196.5	20	150	–	20	91	–	–	–	–	–	–	40
A-5555-1938	626107-2120-110	–	166.5	20	120	–	20	86	–	–	–	–	–	–	40
A-5555-1947	626103-5025-000	–	–	5	25	–	–	1.25	–	–	–	–	–	–	48
A-5555-1948	626103-5075-000	–	–	5	75	–	–	1.7	–	–	–	–	–	–	48
A-5555-1979	626107-2025-110	–	71.5	20	25	–	20	74	–	–	–	–	–	–	40
A-5555-1980	626107-2040-110	–	86.5	20	40	–	20	76	–	–	–	–	–	–	40
A-5555-1981	626107-2060-110	–	106.5	20	60	–	20	80	–	–	–	–	–	–	40
A-5555-1982	626107-2080-110	–	126.5	20	80	–	20	82	–	–	–	–	–	–	40
A-5555-1983	626107-2100-110	–	146.5	20	100	–	20	84	–	–	–	–	–	–	40
A-5555-1984	626107-2200-110	–	246.5	20	200	–	20	98	–	–	–	–	–	–	40
A-5555-1985	626107-2040-130	–	81.5	20	40	–	15	62	–	–	–	–	–	–	40
A-5555-1986	626107-2050-130	–	91.5	20	50	–	15	64	–	–	–	–	–	–	40
A-5555-1987	626107-2060-130	–	101.5	20	60	–	15	64	–	–	–	–	–	–	40
A-5555-1988	626107-2100-130	–	141.5	20	100	–	15	70	–	–	–	–	–	–	40
A-5555-1989	626107-2120-130	–	161.5	20	120	–	15	72	–	–	–	–	–	–	40
A-5555-1990	626107-2200-130	–	241.5	20	200	–	15	84	–	–	–	–	–	–	40
A-5555-2012	626105-0511-075	5	65	11	75	3.5	–	5	–	–	–	–	–	–	13
A-5555-2013	–	5	43	11	53	3.5	–	4.9	–	–	–	–	–	–	12
A-5555-2033	626103-0501-030	5	21	5	30	3.5	–	1.1	–	–	–	–	–	–	42
A-5555-2144	–	15	52.5	11	65.5	6	–	29	–	–	–	–	–	–	8
A-5555-2270	–	15	105	11	118	6	–	50	–	–	–	–	–	–	8
A-5555-2388	–	1	10	11	20	0.8	–	6	–	–	–	–	–	–	7
A-5555-2389	–	10	137	11	150	6	–	62	–	–	–	–	–	–	8
A-5555-2390	–	10	175	11	200	6	–	75	–	–	–	–	–	–	8

Renishaw part no.	ZEISS part no.	DK (mm)	ML1/ML (mm)	DG/D (mm)	L (mm)	DS1/DS (mm)	EAL/B (mm)	Weight (g)	A (mm)	Thread/bore (mm)	Thread (from/to)	MB (mm)	G1 (mm)	SW (mm)	Page no.
A-5555-2391	–	12	52	11	65.5	6	–	28	–	–	–	–	–	–	8
A-5555-2392	–	12	175	11	200	6	–	76	–	–	–	–	–	–	8
A-5555-2394	000000-1078-483	3	23.5	11	33.5	2	–	4.5	–	–	–	–	–	–	9
A-5555-2395	612030-9649-000	8	50.5	11	63.5	6	–	25	–	–	–	–	–	–	9
A-5555-2396	626105-0401-064	4	54	11	64	2	–	4.6	–	–	–	–	–	–	13
A-5555-2397	–	5	43	11	53	3.5	–	4.9	–	–	–	–	–	–	13
A-5555-2398	–	6	44	11	54	3.5	–	4.9	–	–	–	–	–	–	13
A-5555-2399	–	7	45	11	55.5	3.5	–	4.9	–	–	–	–	–	–	13
A-5555-2400	–	8	62	11	75	6	–	7.3	–	–	–	–	–	–	13
A-5555-2402	–	9	51.5	11	64.5	6	–	7.2	–	–	–	–	–	–	14
A-5555-2403	626105-1021-065	10	52.5	11	65.5	6	–	8	–	–	–	–	–	–	14
A-5555-2404	–	0.2	2.3/12.0	11	32	0.18/1.0	–	6.5	–	–	–	–	–	–	15
A-5555-2405	–	0.25	2.3/12.0	11	32	0.18/1.0	–	6.5	–	–	–	–	–	–	15
A-5555-2407	–	0.3	2.3/12.0	11	32	0.2/1.0	–	6.5	–	–	–	–	–	–	15
A-5555-2408	–	3	16.5	11	25.5	2	–	7	–	–	–	–	–	–	17
A-5555-2409	–	5	25.5	11	34.5	3.5	–	9	–	–	–	–	–	–	17
A-5555-2410	–	0.25	2.35	–	15.25	0.18/1.0	–	1	–	–	–	–	–	–	20
A-5555-2411	–	0.4	2.5	–	15.4	0.3/1.0	–	1	–	–	–	–	–	–	20
A-5555-2412	–	2	–	–	27	1	–	1	–	–	–	–	–	–	20
A-5555-2413	–	2.5	–	–	27.5	1	–	1	–	–	–	–	–	–	20
A-5555-2415	632001-8209-000	10	55	11	65	3.5/5.5	1	11	–	–	–	–	–	–	23
A-5555-2416	626115-1505-065	15	55	11	65	3.5/5.5	1	18	–	–	–	–	–	–	23
A-5555-2417	632001-8207-000	20	55	11	65	3.5/5.5	1	19	–	–	–	–	–	–	23
A-5555-2418	632001-8208-000	25	55	11	65	3.5/10.0	2	22	–	–	–	–	–	–	23
A-5555-2419	632001-8210-000	30	55	11	65	3.5/10.0	2	39	–	–	–	–	–	–	23
A-5555-2420	632001-8213-000	40	55	11	65	3.5/10.0	2	57	–	–	–	–	–	–	23
A-5555-2421	000000-1019-819	10	55	11	65	3.5/5.5	2	17	–	–	–	–	–	–	23
A-5555-2422	000000-1019-820	15	55	11	65	3.5/5.5	2	20	–	–	–	–	–	–	23
A-5555-2423	000000-1019-822	20	55	11	65	3.5/5.5	2	25	–	–	–	–	–	–	23
A-5555-2424	000000-1019-824	25	55	11	65	3.5/10.0	2	32	–	–	–	–	–	–	23
A-5555-2425	–	–	–	–	–	87.5	15	13	–	–	–	–	–	–	29
A-5555-2426	–	–	–	–	–	85	15	13.4	–	–	–	–	–	–	29
A-5555-2427	–	–	–	–	–	82.5	15	13.8	–	–	–	–	–	–	29
A-5555-2428	–	–	–	–	–	80	15	14.2	–	–	–	–	–	–	29
A-5555-2429	–	–	–	–	–	77.5	15	14.6	–	–	–	–	–	–	29

Renishaw part no.	ZEISS part no.	DK (mm)	ML1/ML (mm)	DG/D (mm)	L (mm)	DS1/DS (mm)	EAL/B (mm)	Weight (g)	A (mm)	Thread/bore (mm)	Thread (from/to)	MB (mm)	G1 (mm)	SW (mm)	Page no.
A-5555-2430	–	–	–	–	–	75	15	15	–	–	–	–	–	–	29
A-5555-2431	–	–	–	–	–	72.5	15	15.4	–	–	–	–	–	–	29
A-5555-2432	–	–	–	–	–	70	15	15.8	–	–	–	–	–	–	29
A-5555-2433	–	–	–	–	–	67.5	15	16.2	–	–	–	–	–	–	29
A-5555-2434	–	–	–	–	–	65	15	16.6	–	–	–	–	–	–	29
A-5555-2435	–	–	–	–	–	62.5	15	17	–	–	–	–	–	–	29
A-5555-2436	–	–	–	–	–	60	15	17.4	–	–	–	–	–	–	29
A-5555-2437	–	–	–	–	–	57.5	15	17.8	–	–	–	–	–	–	29
A-5555-2438	–	–	–	–	–	55	15	18.2	–	–	–	–	–	–	29
A-5555-2439	–	–	–	–	–	52.5	15	18.6	–	–	–	–	–	–	29
A-5555-2440	–	–	–	–	–	50	15	19	–	–	–	–	–	–	29
A-5555-2441	–	–	–	–	–	47.5	15	19.4	–	–	–	–	–	–	29
A-5555-2442	–	–	–	–	–	45	15	19.8	–	–	–	–	–	–	29
A-5555-2443	–	–	–	–	–	–	–	–	–	–	–	–	–	–	37
A-5555-2444	–	5	25.5	11	34.5	3.5	–	9	–	–	–	–	–	–	18
A-5555-2445	626103-0311-030	3	21	5	30	2	–	0.75	–	–	–	–	–	–	45
A-5555-2446	–	0.2	2.3/9.0	4	22	0.18/1.0	–	1	–	–	–	–	–	–	55
A-5555-2447	–	0.25	2.3/9.0	4	22	0.18/1.0	–	1	–	–	–	–	–	–	55
A-5555-2448	–	2	34	4	40	1.5	–	1	–	–	–	–	–	–	55
A-5555-2449	–	4	22	4	30	2	–	2	–	–	–	–	–	–	56
A-5555-2450	–	5	22	4	30	2	–	2.1	–	–	–	–	–	–	56
A-5555-2451	–	5	32	4	40	2	–	2	–	–	–	–	–	–	56
A-5555-2452	–	5	42	4	50	2	–	3	–	–	–	–	–	–	56
A-5555-2453	–	5	52	4	60	2	–	3.5	–	–	–	–	–	–	56
A-5555-2454	–	6	22	4	30	2	–	2.3	–	–	–	–	–	–	56
A-5555-2455	–	8	18.5	4	31.5	2	–	1.3	–	–	–	–	–	–	56
A-5555-2456	–	–	–	4	30	1.5	–	2.9	–	–	–	–	–	–	58
A-5555-2457	000000-1049-178	–	–	4	7	–	–	0.5	–	–	M2/M3	–	–	–	59
A-5555-2458	000000-0015-247	–	–	–	–	–	3	–	–	–	–	–	–	–	60
A-5555-2459	000000-0015-248	–	–	–	–	–	4	–	–	–	–	–	–	–	60
A-5555-2460	–	–	–	–	–	–	5	–	–	–	–	–	–	–	60
A-5555-2461	–	–	–	–	–	–	10	–	–	–	–	–	–	–	60
A-5555-2462	–	0.25	2.3/12.5	3	17	0.18/1.0	–	0.4	–	–	–	–	–	–	61
A-5555-2463	–	1	5.0/14.0	3	18.5	0.8/1.0	–	0.4	–	–	–	–	–	–	61
A-5555-2465	–	2.5	6	3	12	1.5	–	1	–	–	–	–	–	–	61

Renishaw part no.	ZEISS part no.	DK (mm)	ML1/ML (mm)	DG/D (mm)	L (mm)	DS1/DS (mm)	EAL/B (mm)	Weight (g)	A (mm)	Thread/bore (mm)	Thread (from/to)	MB (mm)	G1 (mm)	SW (mm)	Page no.
A-5555-2466	–	3	6	3	12	2	–	1	–	–	–	–	–	–	61
A-5555-2467	–	4	12	3	16	2	–	0.8	–	–	–	–	–	–	62
A-5555-2468	–	4	30	3	36	2	–	1	–	–	–	–	–	–	62
A-5555-2469	–	5	10	3	14	2	–	0.8	–	–	–	–	–	–	62
A-5555-2470	–	5	32	3	38	2	–	1	–	–	–	–	–	–	62
A-5555-2471	–	4	32	3	32	3	–	1.7	–	–	–	–	–	–	63
A-5555-2472	–	4	42	3	42	3	–	2.4	–	–	–	–	–	–	63
A-5555-2473	–	4	52	3	52	3	–	2.9	–	–	–	–	–	–	63
A-5555-2474	–	5	22	3	22	3	–	1.3	–	–	–	–	–	–	63
A-5555-2475	–	5	32	3	32	3	–	1.9	–	–	–	–	–	–	63
A-5555-2476	–	5	42.5	3	42.5	3	–	2.5	–	–	–	–	–	–	63
A-5555-2477	–	5	52.5	3	52.5	3	–	3.1	–	–	–	–	–	–	63
A-5555-2478	–	–	–	3	30	1	–	2.9	–	–	–	–	–	–	67
A-5555-2479	–	–	–	3	30	1.5	–	2.9	–	–	–	–	–	–	67
A-5555-2481	–	–	–	3	50	–	–	2.7	–	–	–	–	–	–	66
A-5555-3734	626115-0300-058	3	48	11	58	2	–	5.5	–	–	–	–	–	–	10
A-5555-3740	–	–	191.5	11	150	–	15	77	–	–	–	–	–	–	40
A-5555-3777	–	1	5.0/10.0	11	20	0.8/1.0	–	3.5	–	–	–	–	–	–	10
A-5555-3778	–	1	5.0/15.0	11	25	0.8/1.0	–	3.5	–	–	–	–	–	–	10
A-5555-3779	–	1	5.0/20.0	11	30	0.8/1.0	–	3.5	–	–	–	–	–	–	10
A-5555-3780	–	1.5	8.0/20.0	11	30	1.0/1.5	–	3.5	–	–	–	–	–	–	10
A-5555-3781	–	2	10	11	20	1	–	3.5	–	–	–	–	–	–	10
A-5555-3782	–	2	15	11	25	1	–	3.5	–	–	–	–	–	–	10
A-5555-3783	–	2	20	11	30	1.5	–	3.8	–	–	–	–	–	–	10
A-5555-3784	–	2	30	11	40	1.5	–	4	–	–	–	–	–	–	10
A-5555-3785	626115-0303-025	3	15	11	25	2	–	4	–	–	–	–	–	–	10
A-5555-3786	–	3	23.5	11	33.5	2	–	4.5	–	–	–	–	–	–	10
A-5555-3787	626115-0302-050	3	40	11	50	2	–	5.3	–	–	–	–	–	–	10
A-5555-3788	626115-0400-034	4	23.5	11	33.5	2	–	4.5	–	–	–	–	–	–	10
A-5555-3789	–	4	54	11	64	2	–	5.9	–	–	–	–	–	–	10
A-5555-3790	–	5	20	11	30	3.5	–	8	–	–	–	–	–	–	10
A-5555-3791	626115-0501-050	5	40	11	50	3.5	–	9	–	–	–	–	–	–	10
A-5555-3792	–	5	43	11	53	3.5	–	9.8	–	–	–	–	–	–	10
A-5555-3793	626115-0500-075	5	65	11	75	3.5	–	12.5	–	–	–	–	–	–	10
A-5555-3794	626115-0501-100	5	90	11	100	3.5	–	18	–	–	–	–	–	–	10



Renishaw part no.	ZEISS part no.	DK (mm)	ML1/ML (mm)	DG/D (mm)	L (mm)	DS1/DS (mm)	EAL/B (mm)	Weight (g)	A (mm)	Thread/bore (mm)	Thread (from/to)	MB (mm)	G1 (mm)	SW (mm)	Page no.
A-5555-3795	–	6	44	11	54	3.5	–	10	–	–	–	–	–	–	10
A-5555-3796	–	7	45	11	55	3.5	–	10	–	–	–	–	–	–	10
A-5555-3797	626115-0800-064	8	50.5	11	63.5	6	–	36.6	–	–	–	–	–	–	10
A-5555-3798	626115-0800-075	8	62	11	75	6	–	29.4	–	–	–	–	–	–	10
A-5555-3799	–	8	87	11	100	6	–	39.9	–	–	–	–	–	–	11
A-5555-3800	626115-0800-115	8	101.5	11	114.5	6	–	45.7	–	–	–	–	–	–	11
A-5555-3801	–	9	51.5	11	64.5	6	–	26.3	–	–	–	–	–	–	11
A-5555-3802	–	10	52.5	11	65.5	6	–	25.8	–	–	–	–	–	–	11
A-5555-3803	–	10	105	11	118	6	–	47.3	–	–	–	–	–	–	11
A-5555-3804	–	10	135	11	150	6	–	60	–	–	–	–	–	–	11
A-5555-3805	600342-8023-010	8	50.5	11	63.5	6	–	24.8	–	–	–	–	–	–	11
A-5555-3806	626105-0300-058	3	48	11	58	2	–	4.9	–	–	–	–	–	–	12
A-5555-3807	626105-0820-063	8	50.5	11	63.5	6	–	7	–	–	–	–	–	–	12
A-5555-3808	626105-0820-114	8	101.5	11	114.5	6	–	9.5	–	–	–	–	–	–	12
A-5555-3809	–	9	51.5	11	64.5	6	–	7.2	–	–	–	–	–	–	12
A-5555-3812	626105-0301-025	3	15	11	25	2	–	4	–	–	–	–	–	–	13
A-5555-3813	626105-0301-050	3	40	11	50	2	–	4.5	–	–	–	–	–	–	13
A-5555-3814	626105-0301-058	3	48	11	58	2	–	4.9	–	–	–	–	–	–	13
A-5555-3815	626105-0301-033	4	23.5	11	33.5	2	–	4.2	–	–	–	–	–	–	13
A-5555-3817	626105-0511-050	5	40	11	50	3.5	–	4.8	–	–	–	–	–	–	13
A-5555-3820	626105-0821-100	8	87	11	100	6	–	7.5	–	–	–	–	–	–	13
A-5555-3821	626105-0821-114	8	101.5	11	114.5	6	–	9.5	–	–	–	–	–	–	13
A-5555-3824	626105-1021-118	10	105	11	118	6	–	14.5	–	–	–	–	–	–	14
A-5555-3825	626105-1021-150	10	137	11	150	6	–	16	–	–	–	–	–	–	14
A-5555-3826	–	2	24.5	11	33.5	1	–	7	–	–	–	–	–	–	18
A-5555-3827	–	2.5	25	11	34	1	–	7	–	–	–	–	–	–	18
A-5555-3828	–	3	16.5	11	25.5	2	–	9	–	–	–	–	–	–	18
A-5555-3839	–	1	30	11	40	0.8/4.0	–	9	8	–	–	–	–	–	25
A-5555-3841	–	–	–	18	58	–	–	58	–	–	–	–	–	–	27
A-5555-3842	–	15	–	24	130	–	–	–	–	–	–	–	–	22	36
A-5555-3843	–	20	–	24	135	–	–	–	–	–	–	–	–	22	36
A-5555-3844	–	25	–	24	140	–	–	–	–	–	–	–	–	22	36
A-5555-3845	–	–	66.5	11	25	–	15	60	–	–	–	–	–	–	40
A-5555-3846	–	–	81.5	11	40	–	15	62	–	–	–	–	–	–	40
A-5555-3847	–	–	91.5	11	50	–	15	64	–	–	–	–	–	–	40

Renishaw part no.	ZEISS part no.	DK (mm)	ML1/ML (mm)	DG/D (mm)	L (mm)	DS1/DS (mm)	EAL/B (mm)	Weight (g)	A (mm)	Thread/bore (mm)	Thread (from/to)	MB (mm)	G1 (mm)	SW (mm)	Page no.
A-5555-3848	–	–	101.5	11	60	–	15	66	–	–	–	–	–	–	40
A-5555-3849	–	–	121.5	11	80	–	15	68	–	–	–	–	–	–	40
A-5555-3850	–	–	141.5	11	100	–	15	70	–	–	–	–	–	–	40
A-5555-3851	–	–	161.5	11	120	–	15	72	–	–	–	–	–	–	40
A-5555-3852	–	–	241.5	11	200	–	15	84	–	–	–	–	–	–	40
A-5555-3853	626113-0060-014	0.6	4.6/5.0	5	14	0.4/1.0	–	0.61	–	–	–	–	–	–	41
A-5555-3854	626113-0101-020	1	5.1/11	5	20	0.6/1.0	–	0.7	–	–	–	–	–	–	41
A-5555-3855	626113-0201-040	2	31	5	40	1.5	–	1.7	–	–	–	–	–	–	42
A-5555-3856	626113-0250-020	2.5	11	5	20	1.5	–	1	–	–	–	–	–	–	42
A-5555-3857	626113-0250-030	2.5	21	5	30	1.5	–	1.5	–	–	–	–	–	–	42
A-5555-3858	626103-0501-050	5	41	5	50	3.5	–	1.4	–	–	–	–	–	–	42
A-5555-3859	626103-0300-025	3	16	5	25	2	–	0.65	–	–	–	–	–	–	43
A-5555-3860	626103-0300-058	3	49	5	58	2	–	1	–	–	–	–	–	–	43
A-5555-3861	626103-0300-059	3	50	5	59	2	–	1	–	–	–	–	–	–	43
A-5555-3862	626103-0300-075	3	66	5	75	2	–	1	–	–	–	–	–	–	43
A-5555-3863	626103-0500-040	5	31	5	40	3.5	–	1.2	–	–	–	–	–	–	43
A-5555-3864	626103-0500-060	5	51	5	60	3.5	–	1.5	–	–	–	–	–	–	43
A-5555-3865	626103-0610-070	6	61	5	70	3.5	–	1.8	–	–	–	–	–	–	43
A-5555-3866	626103-0800-030	8	30	5	30	5	–	1.86	–	–	–	–	–	–	43
A-5555-3867	626103-0830-050	8	50	5	50	5	–	2.1	–	–	–	–	–	–	43
A-5555-3868	626103-0830-070	8	70	5	70	5	–	2.6	–	–	–	–	–	–	43
A-5555-3869	626103-0830-100	8	100	5	100	5	–	2.7	–	–	–	–	–	–	43
A-5555-3870	626103-0301-033	3	24	5	33	2	–	0.7	–	–	–	–	–	–	44
A-5555-3871	626103-0301-050	3	41	5	50	2	–	0.8	–	–	–	–	–	–	44
A-5555-3872	626103-0502-050	5	41	5	50	3.5	–	1.4	–	–	–	–	–	–	44
A-5555-3874	626103-0801-125	8	125	5	125	5	–	2.9	–	–	–	–	–	–	44
A-5555-3875	626103-0301-020	3	11	5	20	2	–	0.7	–	–	–	–	–	–	44
A-5555-3876	626103-0301-030	3	21	5	30	2	–	0.75	–	–	–	–	–	–	44
A-5555-3877	626103-0311-020	3	11	5	20	2	–	0.7	–	–	–	–	–	–	45
A-5555-3880	626103-0312-020	3	11	5	20	2	–	0.8	–	–	–	–	–	–	46
A-5555-3881	626103-0312-030	3	21	5	30	2	–	0.9	–	–	–	–	–	–	46
A-5555-3882	626103-0303-020	3	11	5	20	2	–	1.4	–	–	–	–	–	–	46
A-5555-3883	626103-0303-030	3	21	5	30	2	–	1.5	–	–	–	–	–	–	46
A-5555-3884	626103-0313-020	3	11	5	20	2	–	1.4	–	–	–	–	–	–	47
A-5555-3885	626103-0313-030	3	21	5	30	2	–	1.5	–	–	–	–	–	–	47

Renishaw part no.	ZEISS part no.	DK (mm)	ML1/ML (mm)	DG/D (mm)	L (mm)	DS1/DS (mm)	EAL/B (mm)	Weight (g)	A (mm)	Thread/bore (mm)	Thread (from/to)	MB (mm)	G1 (mm)	SW (mm)	Page no.
A-5555-3886	626103-0313-040	3	31	5	40	2	–	1.6	–	–	–	–	–	–	47
A-5555-3887	626103-0304-020	3	11	5	20	2	–	1.4	–	–	–	–	–	–	47
A-5555-3888	626103-0304-030	3	21	5	30	2	–	1.5	–	–	–	–	–	–	47
A-5555-3889	626103-0314-020	3	11	5	20	2	–	1.4	–	–	–	–	–	–	48
A-5555-3890	626103-0314-030	3	21	5	30	2	–	1.5	–	–	–	–	–	–	48
A-5555-3891	626103-0314-040	3	31	5	40	2	–	1.6	–	–	–	–	–	–	48
A-5555-3892	626103-5020-000	–	–	5	20	–	–	1.2	–	–	–	–	–	–	48
A-5555-3893	626103-5040-000	–	–	5	40	–	–	1.4	–	–	–	–	–	–	48
A-5555-3894	626103-5060-000	–	–	5	60	–	–	1.7	–	–	–	–	–	–	48
A-5555-3895	626103-5130-000	–	–	5	130	–	–	2.5	–	–	–	–	–	–	48
A-5555-3896	626103-6110-002	–	–	–	13	–	5	1.05	–	–	–	–	–	–	52
A-5555-3898	626103-6110-006	–	–	12	–	–	5	1.79	–	–	–	–	–	–	53
A-5555-3899	626103-6110-007	–	–	14	–	–	5	2.31	–	–	–	–	–	–	53
A-5555-3900	–	–	–	–	–	–	–	72	–	–	–	–	–	–	39
A-5555-3901	626103-0312-040	3	31	5	40	2	–	1	–	–	–	–	–	–	46
A-5555-3949	000000-1073-344	5	95	11	105	3.5	–	15	–	–	–	–	–	–	9
A-5555-3997	626105-0820-075	8	62	11	75	6	–	7.3	–	–	–	–	–	–	12
A-5555-3998	626105-1020-118	10	105	11	118	6	–	14.5	–	–	–	–	–	–	13
A-5555-3999	–	0.5	3.5	11	40	0.4	1.9	7	–	–	–	–	–	–	24
A-5555-9159	–	0.3	2.3/13.5	3	18	0.2/1.0	–	0.4	–	–	–	–	–	–	61
A-5555-9161	–	0.6	4.6/13.8	3	18.3	0.4/1.0	–	0.4	–	–	–	–	–	–	61
A-5555-9162	–	0.8	4.8/13.5	3	18.0	0.6/1.0	–	0.4	–	–	–	–	–	–	61
A-5555-9325	626115-0200-034	2	24.5	11	33.5	1.5	–	7	–	–	–	–	–	–	18
A-5555-9339	626113-0151-030	1.5	21	5	30	1	–	0.84	–	–	–	–	–	–	42
A-5555-9340	626113-0150-030	1.5	22.5	5	30	1	–	0.9	–	–	–	–	–	–	42
A-5555-9341	626113-0100-040	1	5.0/31	5	40	0.8/1.0	–	1.5	–	–	–	–	–	–	41
A-5555-9361	626105-0820-150	8	137	11	150	6	–	11	–	–	–	–	–	–	12

www.renishaw.com/contact

 #renishaw

 **+44 (0) 1453 524524**  **UK@renishaw.com**

© 2004–2024 Renishaw plc. All rights reserved. This document may not be copied or reproduced in whole or in part, or transferred to any other media or language by any means, without the prior written permission of Renishaw.
RENISHAW® and the probe symbol are registered trade marks of Renishaw plc. Renishaw product names, designations and the mark 'apply innovation' are trade marks of Renishaw plc or its subsidiaries. Other brand, product or company names are trade marks of their respective owners.
Renishaw plc. Registered in England and Wales. Company no: 1106260. Registered office: New Mills, Wotton-under-Edge, Glos, GL12 8JR, UK.

WHILE CONSIDERABLE EFFORT WAS MADE TO VERIFY THE ACCURACY OF THIS DOCUMENT AT PUBLICATION, ALL WARRANTIES, CONDITIONS, REPRESENTATIONS AND LIABILITY, HOWSOEVER ARISING, ARE EXCLUDED TO THE EXTENT PERMITTED BY LAW. RENISHAW RESERVES THE RIGHT TO MAKE CHANGES TO THIS DOCUMENT AND TO THE EQUIPMENT, AND/OR SOFTWARE AND THE SPECIFICATION DESCRIBED HEREIN WITHOUT OBLIGATION TO PROVIDE NOTICE OF SUCH CHANGES.

Part no.: H-1000-3036-06-C
Issued: 06.2024