

RMI-Q radio machine interface

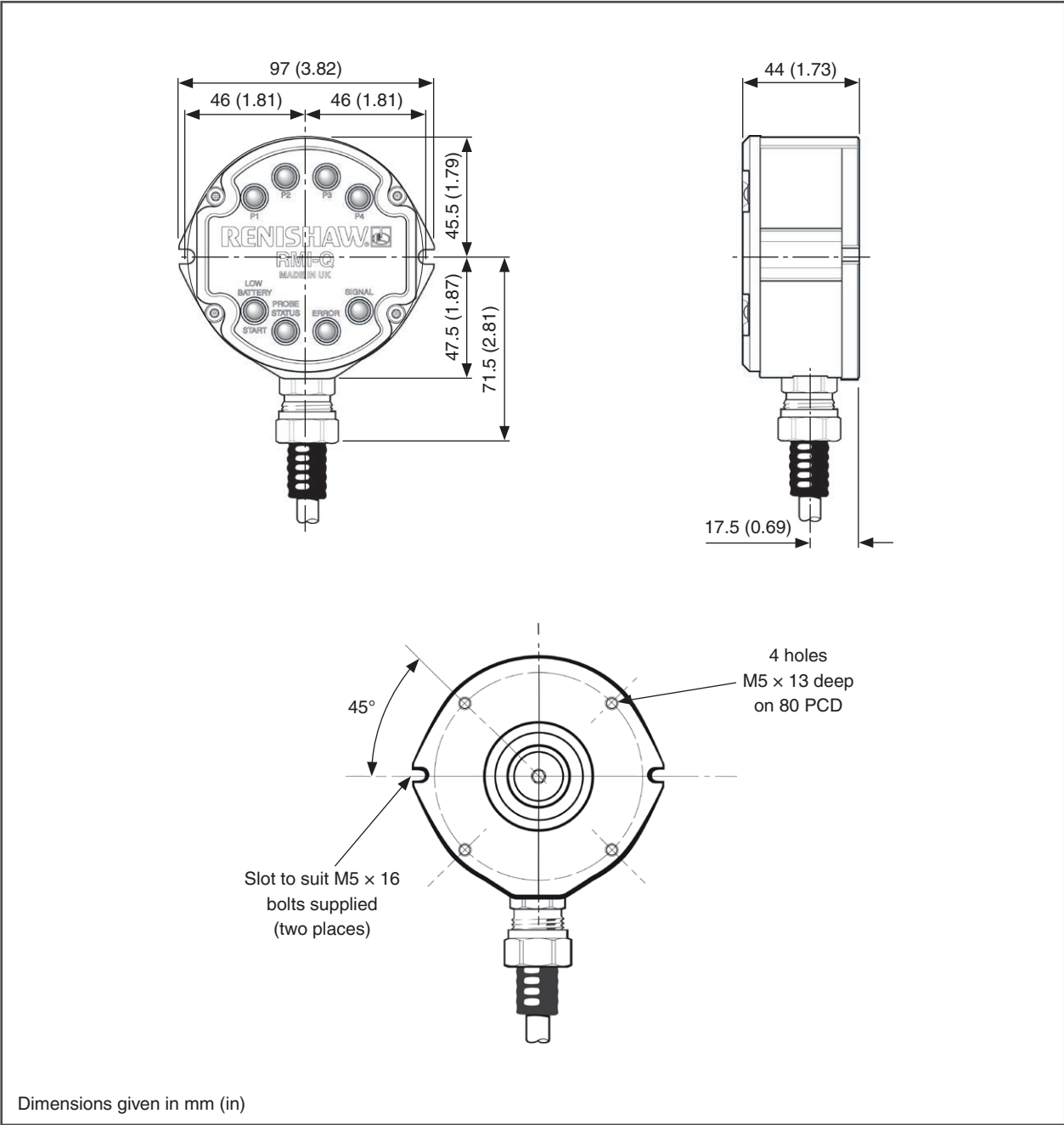


Specification

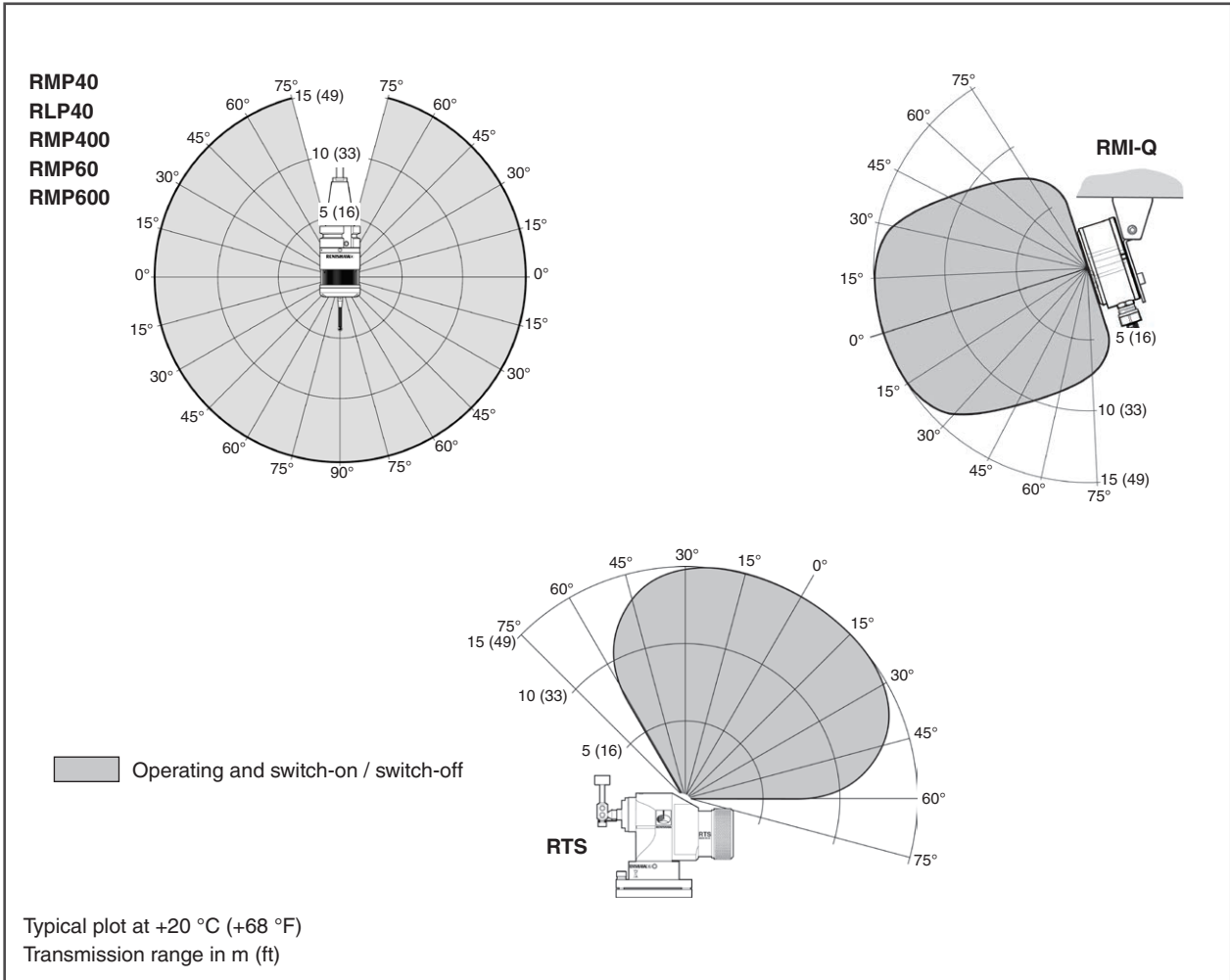
Principal application	All machining centres, 5-axis machines, twin spindle machines and vertical turret lathes.	
Weight	RMI-Q including 8 m (26.2 ft) of cable = 1050 g (37.04 oz) RMI-Q including 15 m (49.2 ft) of cable = 1625 g (57.32 oz)	
Radio approval regions	UK, EU, EFTA, Japan and USA (China exempt). For details about other regions, contact Renishaw.	
Transmission type	Frequency hopping spread spectrum (FHSS) radio Radio frequency 2400 MHz to 2483.5 MHz	
Operating range	Up to 15 m (49.2 ft)	
Probes per system	Radio M-code on = up to four Spin/shank switch on = unlimited	
Compatible probes	Component setting/inspection: RMP40, RMP40M, RMP400, RMP60, RMP60M and RMP600 Lathe inspection: RLP40 and RLP40H Tool setting: RTS	
Supply voltage	12 Vdc to 30 Vdc	
Supply current	500 mA peak, < 100 mA typical from 12 V to 30 V	
Configurable M-code input	Pulsed or level	
Output signal	Probe Status 1, Low Battery, Error Voltage-free solid-state relay (SSR) outputs, configurable normally open or normally closed. Probe Status 2a 5 V isolated driven output, invertible. Probe Status 2b Power supply voltage driven output, invertible.	
Input / output protection	Supply protected by resettable fuse. Outputs protected by over current protection circuit.	
Diagnostic LEDs	Start, low battery, probe status, error, signal condition and P1, P2, P3, P4 system status.	
Cable (to machine controller)	Specification	Ø7.6 mm (0.30 in), 16-core screened cable, each core 18 × 0.1 mm
	Length	8 m (26.2 ft) and 15 m (49.2 ft) standard lengths. Optional 30 m (98.4 ft) and 50 m (164.0 ft) cable assemblies are also available.
Mounting	Flush mounting or directional mounting with optional mounting bracket (available separately).	
Environment	IP rating	IPX8, BS EN 60529:1992+A2:2013
	Storage temperature	-25 °C to +70 °C (-13 °F to +158 °F)
	Operating temperature	+5 °C to +55 °C (+41 °F to +131 °F)

For further information and the best possible application and performance support, contact Renishaw or visit www.renishaw.com/rmi-q

Dimensions



Performance envelope





Spare parts and accessories

A full range of spare parts and accessories is available. Contact Renishaw for a full list.

www.renishaw.com/contact

 #renishaw

 +44 (0) 1453 524524

 uk@renishaw.com

© 2013–2023 Renishaw plc. All rights reserved. This document may not be copied or reproduced in whole or in part, or transferred to any other media or language by any means, without the prior written permission of Renishaw.

RENISHAW® and the probe symbol are registered trade marks of Renishaw plc. Renishaw product names, designations and the mark 'apply innovation' are trade marks of Renishaw plc or its subsidiaries. Other brand, product or company names are trade marks of their respective owners.

WHILE CONSIDERABLE EFFORT WAS MADE TO VERIFY THE ACCURACY OF THIS DOCUMENT AT PUBLICATION, ALL WARRANTIES, CONDITIONS, REPRESENTATIONS AND LIABILITY, HOWSOEVER ARISING, ARE EXCLUDED TO THE EXTENT PERMITTED BY LAW. RENISHAW RESERVES THE RIGHT TO MAKE CHANGES TO THIS DOCUMENT AND TO THE EQUIPMENT, AND/OR SOFTWARE AND THE SPECIFICATION DESCRIBED HEREIN WITHOUT OBLIGATION TO PROVIDE NOTICE OF SUCH CHANGES.

Renishaw plc. Registered in England and Wales. Company no: 1106260. Registered office: New Mills, Wotton-under-Edge, Glos, GL12 8JR, UK.

Part no.: H-5687-8200-04-A

Issued: 09.2023