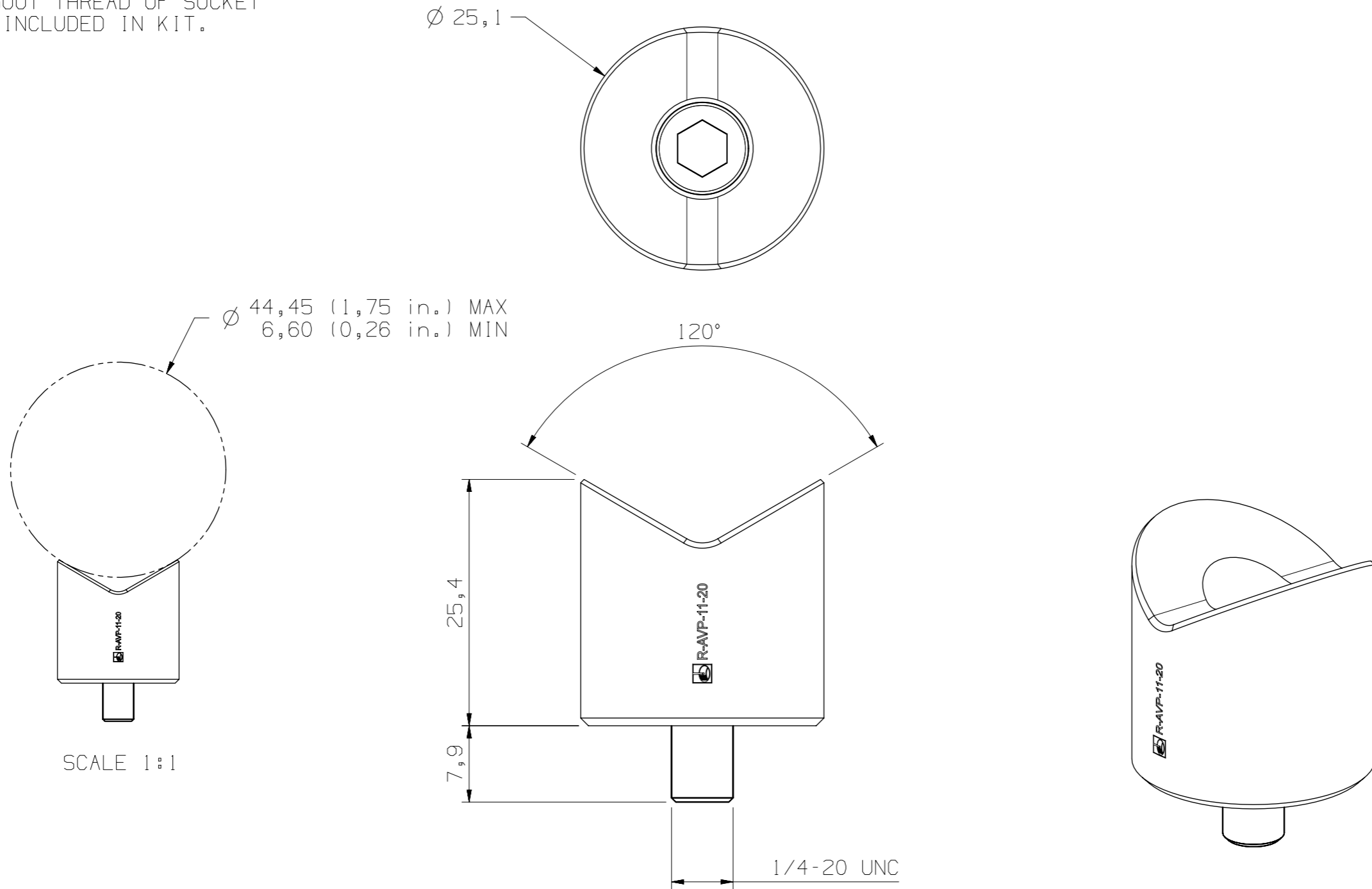


NOTE :

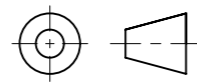
BODY ROTATES ABOUT THREAD OF SOCKET
HEAD CAP SCREW INCLUDED IN KIT.



TO ORDER PLEASE QUOTE PART NUMBER R-AVP-11-20

THIS IS A CUSTOMER DRAWING. DIMENSIONS ARE GENERALLY NOMINAL EXCEPT WHERE TOLERANCED. TOLERANCED DIMENSIONS ARE CONSIDERED CRITICAL AND ARE INSPECTED BY OUR QUALITY DEPARTMENT PRIOR TO DESPATCH. ALL DIMENSIONS ARE IN MILLIMETRES. DRAWING PRACTICE TO BS 8888. INFORMATION REQUIRED BY ARTICLE 33(1) OF REGULATION (EC) No. 1907/2006 RELATING TO PRODUCTS CONTAINING SVHCs IS AVAILABLE AT www.renishaw.com/REACH

3rd ANGLE PROJECTION



DO NOT SCALE

TITLE

R-AVP-11-20 CUSTOMER DRAWING

MATERIAL TYPE CODE

MATERIAL

ISSUE No.

-

DRAWN BY

AC

DRAWN DATE

AUG 22

SHEET

1 OF 1

CHECKED

-

CONFIDENTIAL. THIS DRAWING IS THE PROPERTY OF © RENISHAW plc, AND MAY NOT BE COPIED OR USED FOR ANY PURPOSE, OTHER THAN THAT FOR WHICH IT IS SUPPLIED, WITHOUT THE EXPRESS WRITTEN AUTHORITY OF RENISHAW plc.

RENISHAW®

Wotton - under - Edge
Glos. England.
GL12 8JR

SCALE
U.O.S.
2:1

DRAWING No.

N-6490-8710-02-A