

Advanced Diagnostic Tool ADTi-100 and ADT View software – Quick-start guide

1 System compatibility

- ▶ QUANTiC™
- ▶ VIONiC™
- ▶ ATOM DX™

2 System requirements

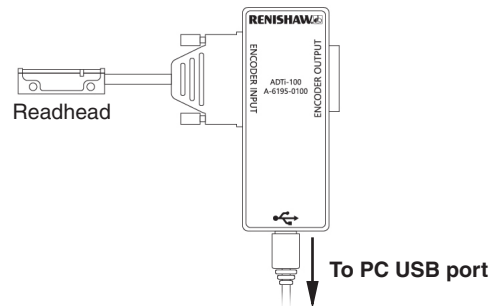
- ▶ PC, laptop or tablet with administration rights*
- ▶ USB 1.1 A to mini B cable, A-9572-0098
- ▶ ADT View software www.renishaw.com/adt
- ▶ ADTi-100
- ▶ Adaptor cables for readheads with alternative pin-outs†
- ▶ QUANTiC analogue output only:
 - Termination tool (120 ohms), A-6195-2132
 - Adaptor cables, A-6637-1540 (pair of 15-way D-type male to female cables)

3 System connection†

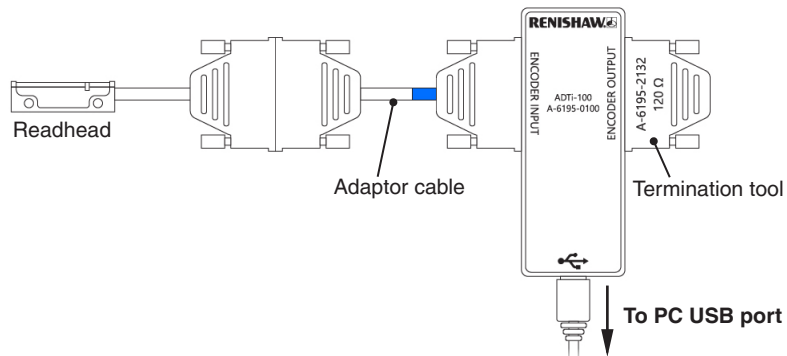
Tethered

The ADTi-100 is connected to the readhead and powered via the PC's USB port.

QUANTiC (digital output), VIONiC and ATOM DX:



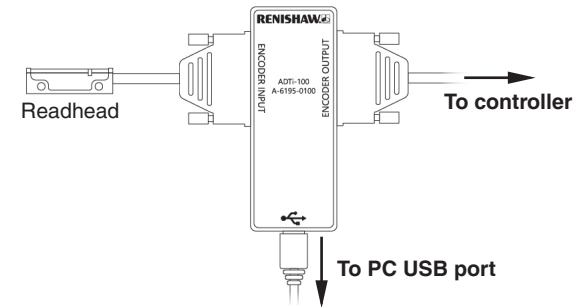
QUANTiC (analogue output):



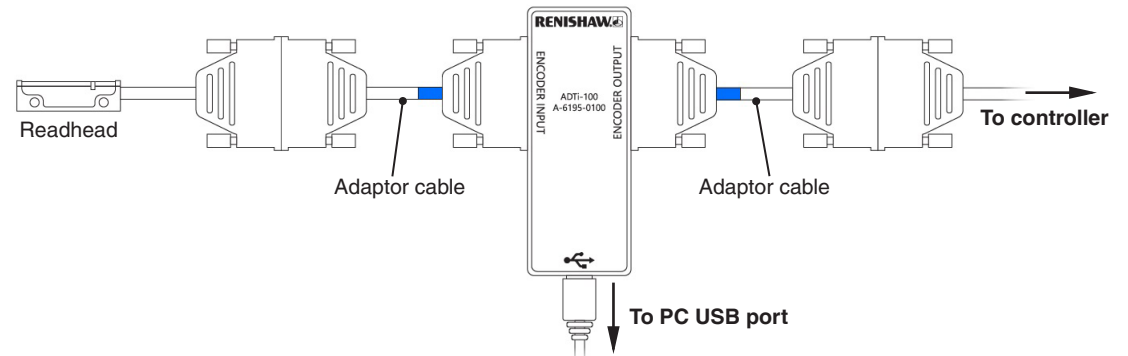
In-line

The ADTi-100 is connected between the readhead and the controller as part of the control loop.

QUANTiC (digital output), VIONiC and ATOM DX:



QUANTiC (analogue output):



* Minimum requirements: • Windows® operating systems (x86 or x64): 7 SP1, 10 • Quad-core 1.44-1.92 GHz processor • 2 GB DDR3 RAM • 5 GB disk space (including 2.5 GB for.NET) • 500 MHz GPU capable of 1024 x 600 resolution or higher

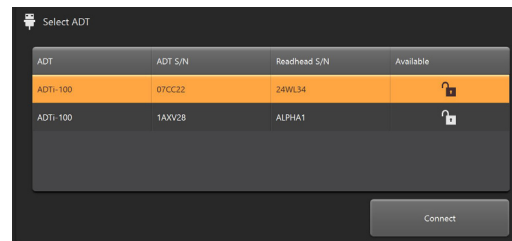
† Connections are shown for standard 15-way D-type pin-out. For readheads with alternative pin-outs or connectors adaptor cables are required. Contact your local Renishaw representative for more information.

4 Software operation

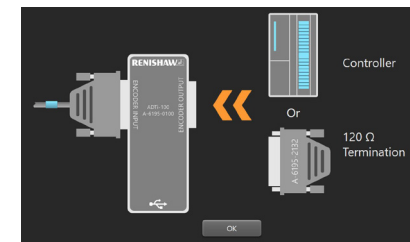
► Connect the ADT



► Select chosen system



► QUANTiC analogue variant only: Termination reminder



Connected ADT Select another ADT Connected readhead Signal amplitude Switch between linear or rotary scale

Screen selection Settings

Internal sine and cosine signals displayed as a Lissajous Figure

Reference mark phasing

Readhead velocity vs. time
Zoom, pan and cursor features

Pitch* and calibration indicator

Configuration of the readhead
Restore factory defaults

Initiate system calibration **Switch AGC on/off** **Status of limits*** **Alarms/warnings and open log file**

Linear or rotary Digital Read Out (DRO)

Signal strength vs. position along axis
Reference mark and limit* positions
Max and min signal strength position

Configuration of the readhead
Restore factory defaults

Pitch* and calibration indicator

Internal sine and cosine signals displayed as a Lissajous Figure

Readhead velocity vs. time
Zoom, pan and cursor features

Linear or rotary Digital Read Out (DRO)

* Pitch and limits are not available with some readheads

For worldwide contact details, visit www.renishaw.com/contact

RENISHAW HAS MADE CONSIDERABLE EFFORTS TO ENSURE THE CONTENT OF THIS DOCUMENT IS CORRECT AT THE DATE OF PUBLICATION BUT MAKES NO WARRANTIES OR REPRESENTATIONS REGARDING THE CONTENT. RENISHAW EXCLUDES LIABILITY, HOWSOEVER ARISING, FOR ANY INACCURACIES IN THIS DOCUMENT. © 2016 - 2021 Renishaw plc. All rights reserved. Renishaw reserves the right to change specifications without notice. RENISHAW and the probe symbol used in the RENISHAW logo are registered trade marks of Renishaw plc in the United Kingdom and other countries. apply innovation and names and designations of other Renishaw products and technologies are trade marks of Renishaw plc or its subsidiaries. All other brand names and product names used in this document are trade names, trade marks or registered trade marks of their respective owners.