

## Renishaw CMM Products Division PRODUCT BULLETIN – PBC1598

<b>Product:</b> PI 200	<b>Status:</b> Open
<b>Title:</b> Launch of replacement TP200 interface	<b>Date:</b> 24th February 2012

<b>Originator:</b>  Dave Joynson		<b>Distribution:</b>	
		<b>Internal</b>	✓
<b>Reviewer:</b>		<b>Subsidiaries</b>	✓
		<b>OEMs</b>	✓
		<b>Retrofitters</b>	✓

### Summary: Launch of PI 200-3 replacement interface



PBC1508 was issued in April 2011 advising that the PHC10-2, PI 200 and PI 7-2 would be changing. Subsequently the PHC10-3 and PI 7-3 were released late 2011.

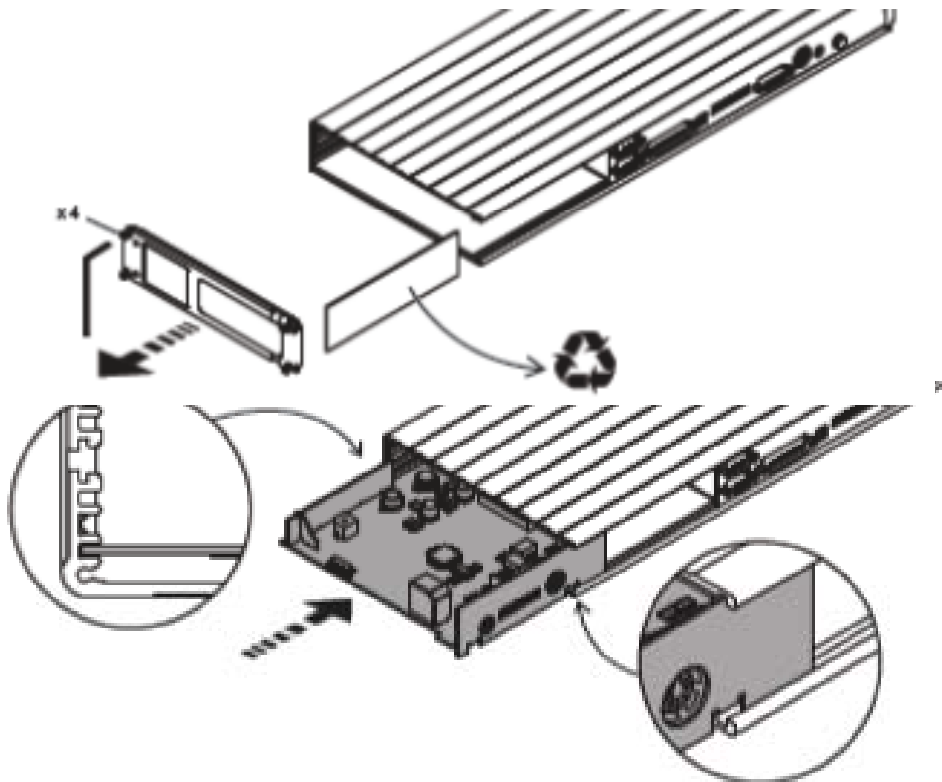
We are now pleased to announce the release of the PI 200-3 probe interface to replace the previous version PI 200. Orders received for the PI 200 are now being declined and fulfilled with PI 200-3.

PI 200-3 is available as a standalone interface or as an interface card to plug into a PHC10-3.

The advantages of the interface card are:

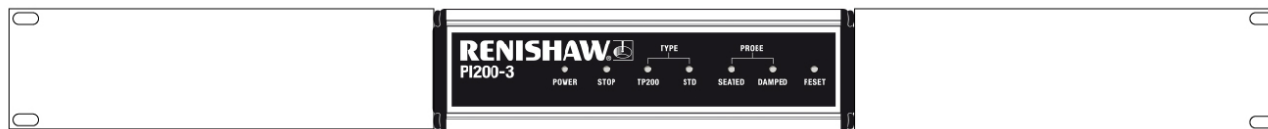
- no additional storage capacity required for the extra box (it is contained within the PHC10-3)
- PICS cable not required
- PSU and cable not required
- lower price.

Pricing information is available from your local Renishaw office.

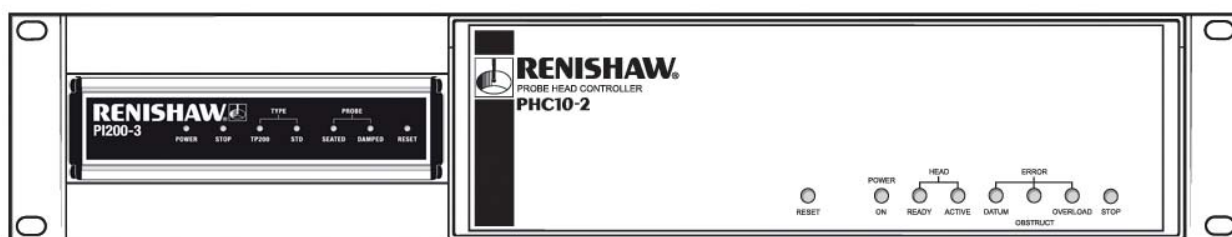


Fitting the PI 200-3 interface card to the PHC10-3

## Installation – rack mounting



To mount the PI 200-3 alone, two x 1/3 mounting panel kits - **A-1018-0179** containing a 1U x 1/3 blanking plate + 2 x M6 x 5 screws are required.



If the PI 200-3 is to be placed next to an old PHC10-2 a mounting kit - **A-1018-0173** which contains a PI 200-3 to PHC10-2 conversion bracket is required.

## Part numbers

Product name	Part number	Description
PHC10-3 with integrated PI 200	A-5684-0200	PH10 head controller + PI 200-3,4 feet, documentation CD inc USB driver
PI 200-3	A-5707-0100	TP200 interface, 4 feet, documentation CD, PICs cable
PI 200-3 upgrade card	A-5707-0200	TP200 interface card for use with PHC10-3, documentation CD
1 U bracket kit	A-1018-0189	2 x 1 U brackets + 4 x M6 x 5 screws
1/3 1U bracket	A-1018-0179	1U x 1/3 blanking plate + 2 x M6 x 5 screws
PHC10-2 bracket	A-1018-0173	Conversion bracket, PI 200-3 to PHC10-2