

Renishaw CMM Products Division PRODUCT BULLETIN – PBC1508

Product:	PHC10-2 PI200 and PI7	Status:	Open
Title:	Advance notification of forthcoming interface changes	Date:	15 th April 2011

Originator: Dave Joynson		Distribution:	
		Internal	✓
Reviewer: Brian Gow		Subsidiaries	✓
		OEMs	✓
		Retrofitters	✓

Summary:

A number of key components have become obsolete within the PH10 head controller -PHC10-2 which has forced a product re-design. We have taken this opportunity to add an additional USB communication protocol, and have changed to an external 24V power supply.

The TP200 interface - PI200 & the TP7 interface - PI7-2 have also been affected by obsolete components and subsequently re-designed.

These interfaces will be available in two forms:-

1. A standalone interface (PI200-3 and PI7-3)
2. An upgrade card – a PCB which slots into the PHC10-3, see page 3 for details.

The advantage of the card option is that it needs no additional area, one less PICS cable, no additional power cable and will have a lower price.

Part numbers and pricing information will be supplied in due course.

The new head controller PHC10-3 and probe interfaces PI200-3 & PI7-3 will start to be phased in from September 2011

Actions

The PHC10-3 beta programme will commence June 2011; the PI 200-3 June 2011 and the PI7-3 July 2011.

Can you please inform your OEM and retrofit customers of these product updates and provide a list of those who would be prepared to assist in the beta test programme.

Examples of these new products will be available to view at the Control 2011 exhibition in Stuttgart, Germany in May. If you or your customers have any questions please see Brain Gow, Andrew Holding or Dave Joynson during the show.

CURRENT PH10 HEAD CONTROLLER PHC10-2



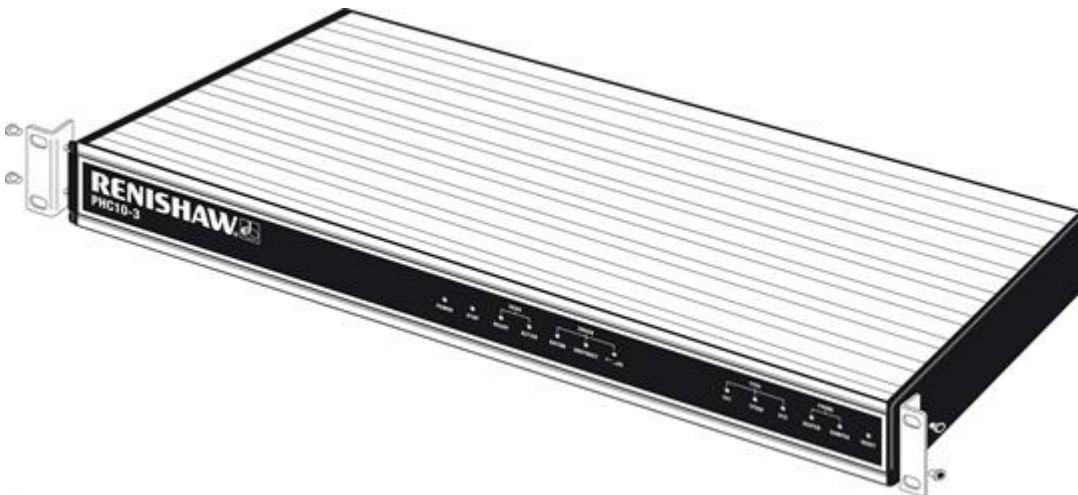
The dimensions of the PHC10-2 controller are as follows:

Width: 290 mm (11.42 in)

Height: 88 mm (3.46 in)

Depth: 220 mm (8.66 in)

PHC10-3 NEW PH10 HEAD CONTROLLER



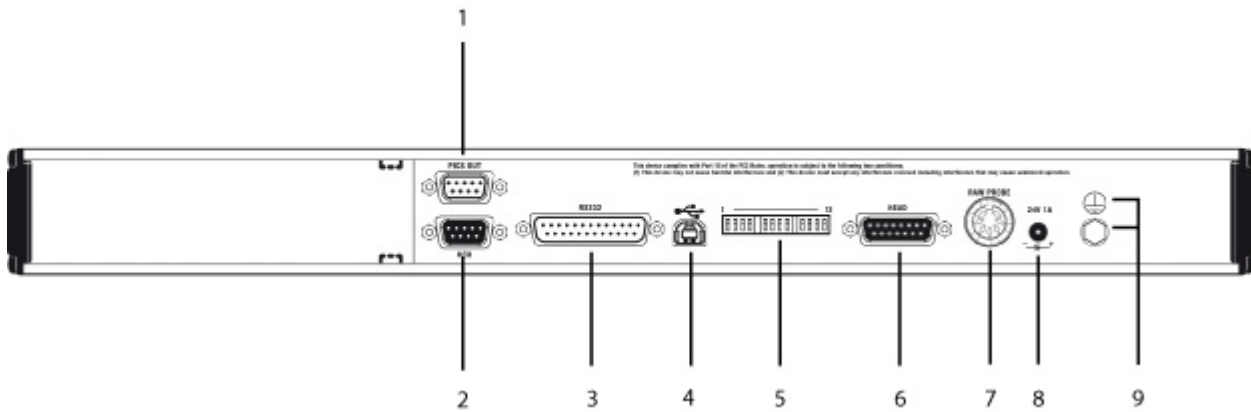
The dimensions of the PHC10-3 controller are as follows:

Width: 440 mm (17.3 in)

Height: 44 mm (1.73 in)

Depth: 179.5 mm (7 in)

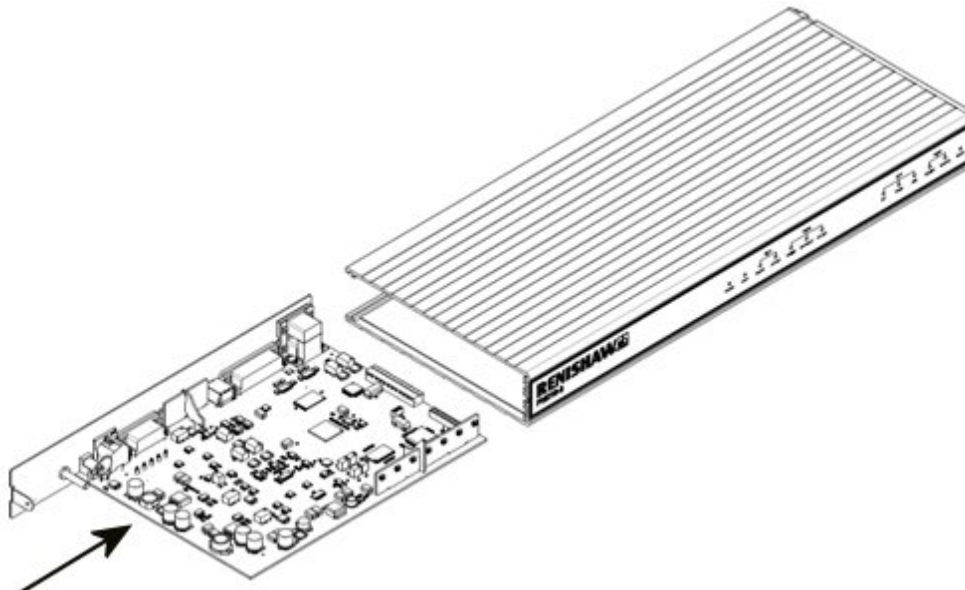
NEW REAR PANEL LAYOUT



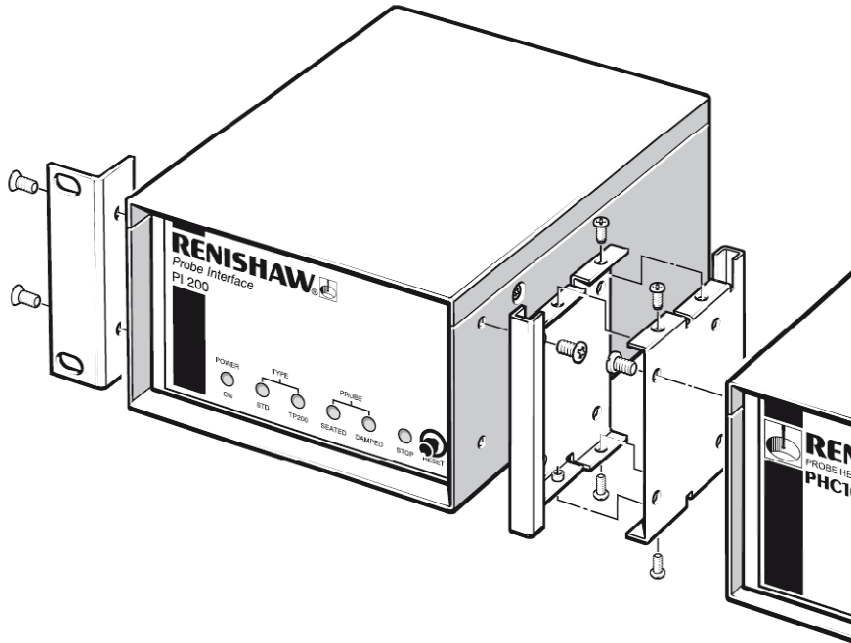
Key	Description
1	9-way D-type plug for PICS output
2	9-way D-type connector to HCU1
3	25-way D-type RS232 communications connector to CMM computer
4	USB type "B" socket
5	Option switches
6	15-way D-type connector to probe head
7	7-pin DIN raw probe connector to probe interface or DC multiwire input for internal interfaces
8	DC jack
9	Earth stud and symbol

UPGRADE CARD PI200-3 or PI7-3

The PHC10-3 has the ability to accommodate either the PI200-3 or PI7-3 interface card.



CURRENT PI200 / PI7-2



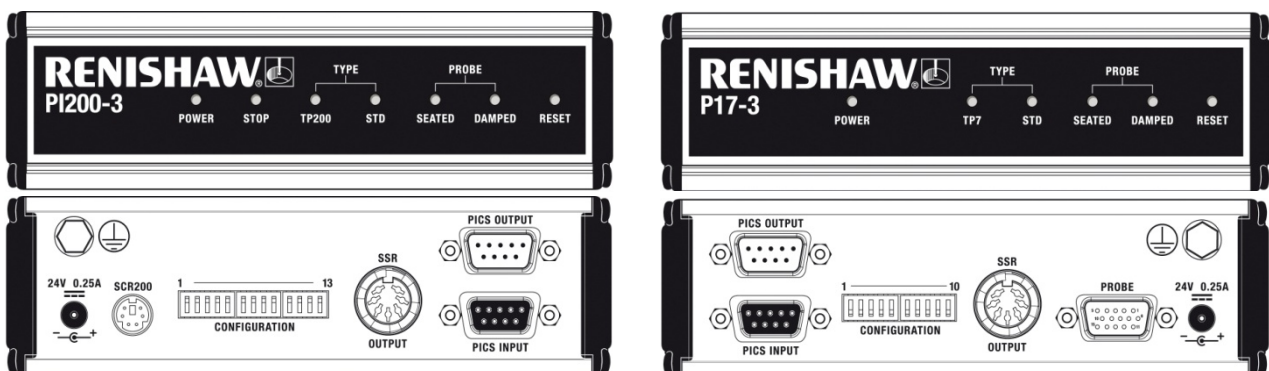
The dimensions of current the PI200 and PI7-2 interface units are as follows:

Width: 141 mm (5.55 in)

Height: 88 mm (3.46 in)

Depth: 183 mm (7.2 in)

NEW PI200-3 / PI7-3



The dimensions of the PI200-3 and PI7-3 interface units are as follows:

Width: 154 mm (6 in)

Height: 44 mm (1.73 in)

Depth: 179.5 mm (7 in)

Interchangeability

Due to the physical change in size of the PI200-3 and PI7-3 units a new bracket kit (shown below) will be available for mounting alongside an existing PHC10-2 if required.

