

Renishaw Co-ordinate Measuring Machines Product Division

Product bulletin number: PBC- 02705

Title:	Launch of VA11 artefact kit		
Product:	RVP vision probe	Issue Date:	24/08/2020
	Name	Signature:	
Originator:	A Winters	Amy Winters	
Reviewer:	A Holding	Andy Holding	
Confidentiality:	Open	Type:	Product Information
Summary:			
<p>Now available to order is the VA11 artefact kit, which replaces the VA10 artefact for the REVO RVP vision probe. It incorporates a new design of pillar with an improved calibration target. VA11 is backwards compatible with RVP hardware but is only compatible with UCCsuite 5.6 onwards. VA10 is now obsolete and can no longer be ordered.</p>			
Distribution – Select at least one			
<input checked="" type="checkbox"/> Subsidiaries <input checked="" type="checkbox"/> Customers <input checked="" type="checkbox"/> Service centres <input checked="" type="checkbox"/> OEMs, Agents & Distributors			

Detail:

The VA11 calibration artefact is a new updated version of VA10 which is designed to replace VA10 and be compatible with VM12 vision module and the ACM angle change mirror accessory. VA11 uses a new target design that replaces the white ceramic dot of VA10 with a chequerboard ceramic tile.

VA11 is backwards compatible with all RVP hardware and installations. However, VA11 is only compatible with UCCsuite 5.6 onwards.

VA10 is now obsolete and can no longer be ordered for new sales. VA11 is available for sale now, and is offered at the same list price as VA10.

If you have any questions or comments on this bulletin, please contact cmmsupport@renishaw.com



Figure 2 VA10 is now going obsolete



Figure 1 VA11, the new calibration artefact

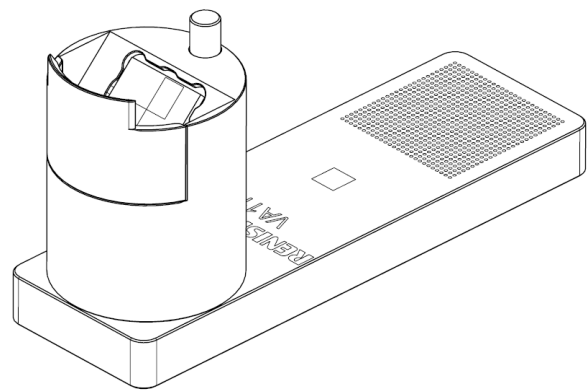
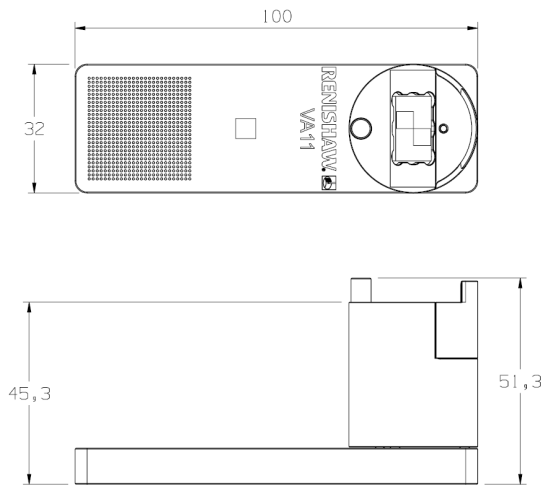


Figure 3 Dimensions of VA11

Part numbers affected:

Part number	Description	Change
A-5378-0089	VA11 artefact kit	New saleable kit
A-5378-0085	VA10 artefact kit	Obsolete kit, cannot be ordered anymore
A-5378-9504	RVP VM10/VM11-2 combi kit	VA10 replaced with VA11
A-5378-9505	RVP VM10 sales kit	VA10 replaced with VA11
A-5378-9506	RVP VM11-2 sales kit	VA10 replaced with VA11

If you have any questions or comments on this bulletin, please contact cmmsupport@renishaw.com