

REVO-2 Launch

Renishaw CMM products division

Product bulletin: PBC-01927

Product:	REVO-2	Date:	14/01/2016
Originator:	Dave Joynson	Reviewer:	Andy Holding
Classification <input type="radio"/> Competitor info <input type="radio"/> Pricing changes <input type="radio"/> Product hold <input checked="" type="radio"/> Product launch <input type="radio"/> Product update		Distribution <input checked="" type="checkbox"/> Agents <input checked="" type="checkbox"/> Subsidiaries <input checked="" type="checkbox"/> Service centres <input checked="" type="checkbox"/> Retrofitters	
<input type="radio"/> Recall <input type="radio"/> Quality issue <input type="radio"/> Literature <input type="radio"/> Obsolescence		<input checked="" type="checkbox"/> Distributors <input checked="" type="checkbox"/> End users <input checked="" type="checkbox"/> OEMs	

Summary:



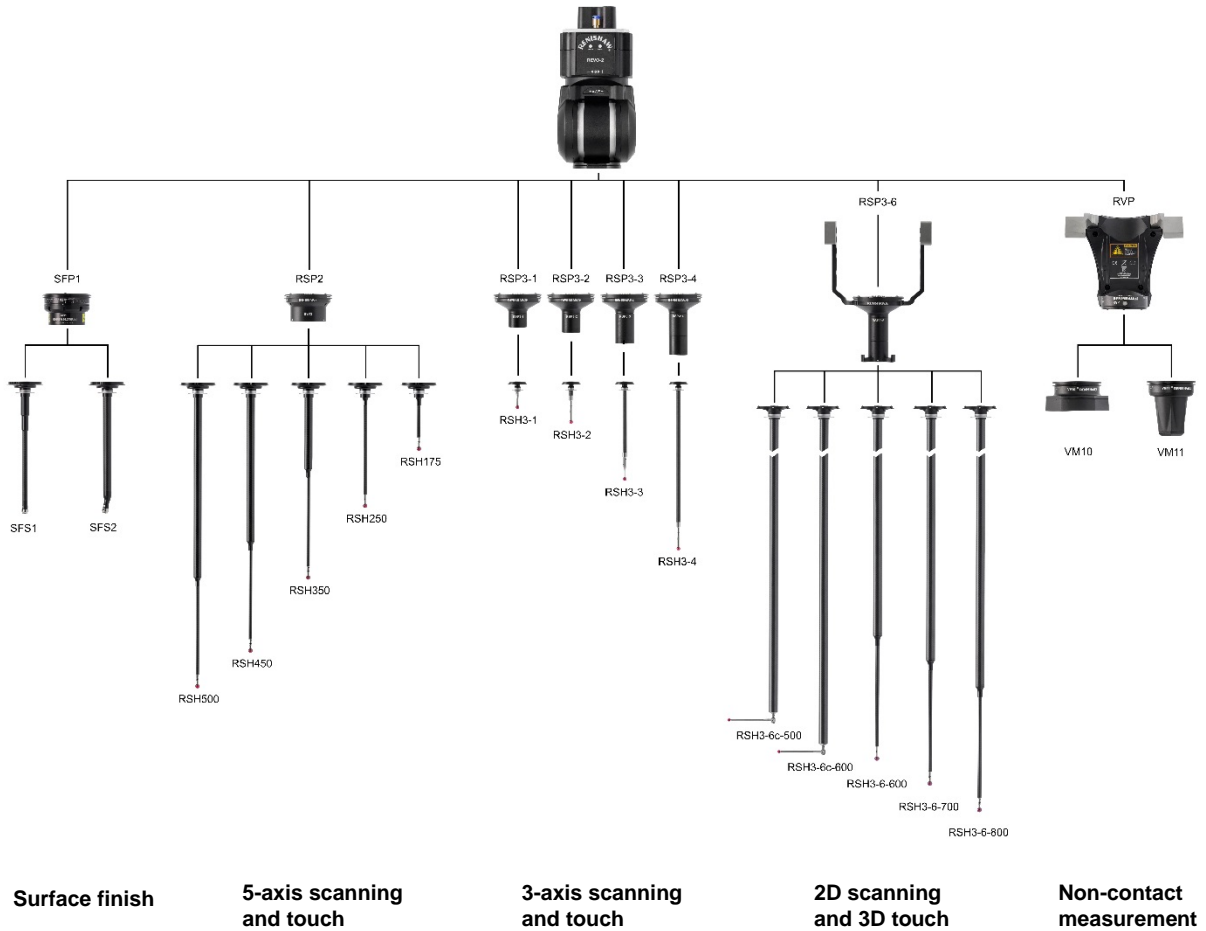
REVO-2 was launched at EMO, Milan in October 2015 and is the latest addition to Renishaw's 5-axis measurement system for coordinate measuring machines.

Essentially, this is a restyled RoHS compliant version of the original REVO(1) head with improved communications and probe power capability in order to carry the RVP vision probe and other future probes.

If you have any questions or comments on this bulletin please visit www.renishaw.com/cmmsupport and use the 'Email support' facility. This will ensure that your call is logged and processed efficiently.

Further details:

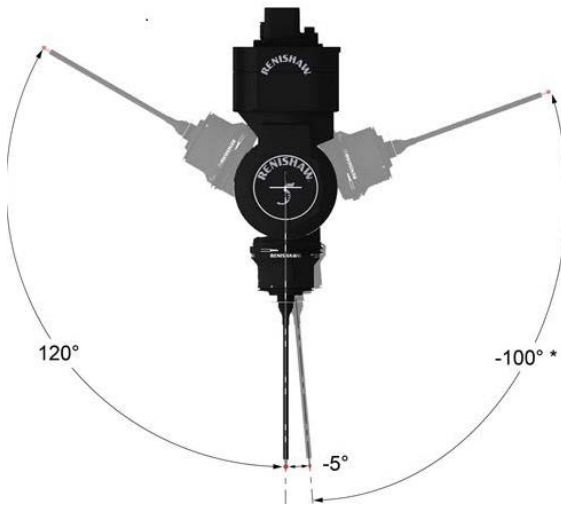
The current REVO-2 range extends to the following products:-



See <http://www.renishaw.com/en/revo-5-axis-measurement-system--10438> for further details or your local Renishaw office.

If you have any questions or comments on this bulletin please visit www.renishaw.com/cmmsupport and use the 'Email support' facility. This will ensure that your call is logged and processed efficiently.

The overall length of REVO-2 and axis centrelines are identical to the REVO(1) making it a drop-in replacement* for REVO(1). REVO-2 does have increased A-axis travel when used with the RSP3 so now has a range of +120° to -100°, an increase of 95°.



*REVO-2 uses a new UCC controller (UCC S5) combined with the SPA3 power amplifier and the Renishaw “orange” cable.

The installation is very similar to the REVO(1) with minor changes to the Estop and TEC wiring. CMMs being upgraded from REVO(1) to REVO-2 can retain the two grey cables and use the adapter cable provided in the upgrade kit.

The new UCC S5 and SPA3 are rack mountable 1U high products requiring external power supplies which are provided within the kits. The new UCC S5 is the latest addition to the proven cost effective retrofitable UCC CMM controller range.

REVO-2 utilises a new UCCserver stylus catalogue. Please refer to PBC-01909 issued 10th November 2015 for further details.

REVO-2 availability:

REVO-2 is now available for order; part number details are included at the end of this document. Open orders for REVO(1) can be changed to REVO-2. Please contact your local Renishaw office for assistance with this.

REVO(1) obsolescence:

Renishaw will continue to satisfy orders for REVO(1) until 31st March 2016. After this date REVO(1) will be made obsolete and the Renishaw 5 year support policy will commence.

If you have any questions or comments on this bulletin please visit www.renishaw.com/cmmsupport and use the ‘Email support’ facility. This will ensure that your call is logged and processed efficiently.

Part numbers:

Kitting of REVO-2 is structured in the same way as REVO(1). Two part numbers need to be ordered for a basic system – the REVO-2 entry head kit, plus the relevant REVO-2 UCC kit.

Please order rack kits, additional probes and stylus holders separately. Refer to PBC1858 (1st June 2015) for MRS2 rack details and to your local Renishaw subsidiary for price information.

Part number	Description	Contents
A-5518-1095	REVO-2 head kit	REVO-2 head, RSP2 probe, RSH250 stylus holder, datum ball kit
A-5518-0096	REVO-2 UCC controller kit with MCU5-2	UCC S5 controller (including power supply), SPA3 amplifier (including 48V – 58V PSU), REVO air filter assembly, Ø 6mm air pipe, connector kit, MCU 5-2 joystick
A-5518-0098	REVO-2 UCC controller kit with MCU W-2	UCC S5 controller (including power supply), SPA3 amplifier (including 48V – 58V PSU), REVO air filter assembly, Ø 6mm air pipe, connector kit, MCU W-2 joystick

Both kits require an orange cable for installation.

Part number	Description	Contents
A-5669-0015	15 m orange cable	15 m orange cable, connector kit
A-5759-0025	25 m orange cable	25 m orange cable, connector kit

REVO(1) to REVO-2 upgrade kit

Part number	Description	Contents
A-1032-0025	REVO(1) to REVO-2 upgrade	REVO-2 head, UCC S5 controller (including power supply), SPA3 amplifier (including 48V-58V PSU), 2 x 2U blanking panels, dual cable adapter kit

Please contact your local office for pricing or support with this bulletin.

If you have any questions or comments on this bulletin please visit www.renishaw.com/cmmsupport and use the 'Email support' facility. This will ensure that your call is logged and processed efficiently.