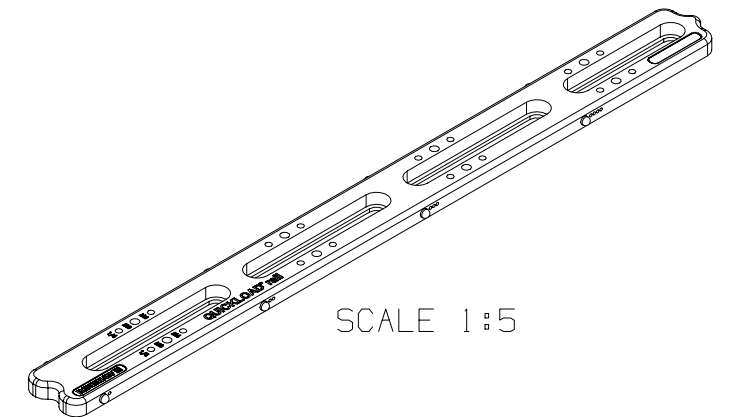


FASTENERS INCLUDED WITH THE QUICKLOAD™ RAIL:

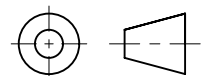
ITEM	QTY
QUICKLOAD™ RAIL WASHER	2
M6 x 20 CAP HEAD SCREW	2
M8 x 20 LOW CAP HEAD SCREW	2
M10 x 20 LOW CAP HEAD SCREW	2
M12 x 20 LOW CAP HEAD SCREW	2
1/4-20 x 3/4" CAP HEAD SCREW	2



TO ORDER PLEASE QUOTE PART NUMBER R-QLR-1350600

THIS IS A CUSTOMER DRAWING. DIMENSIONS ARE GENERALLY NOMINAL EXCEPT WHERE TOLERANCED.  
 TOLERANCED DIMENSIONS ARE CONSIDERED CRITICAL AND ARE INSPECTED BY OUR QUALITY DEPARTMENT PRIOR TO DESPATCH.  
 ALL DIMENSIONS ARE IN MILLIMETRES. DRAWING PRACTICE TO BS 8888.

3rd ANGLE PROJECTION



DO NOT SCALE

TITLE

QUICKLOAD RAIL 50 x 600

MATERIAL TYPE CODE

MATERIAL

ISSUE No.

DRAWN BY

DRAWN DATE

RAL

JAN 19

SHEET

CHECKED

1 of 1

-

CONFIDENTIAL. THIS DRAWING IS THE PROPERTY OF © RENISHAW plc, AND MAY NOT BE COPIED OR USED FOR ANY PURPOSE, OTHER THAN THAT FOR WHICH IT IS SUPPLIED, WITHOUT THE EXPRESS WRITTEN AUTHORITY OF RENISHAW plc.

**RENISHAW®**

Wotton - under - Edge  
 Glos. England.  
 GL12 8JR

SCALE  
 U.O.S.  
 1:2

DRAWING No.

N-R-QLR-1350600-A