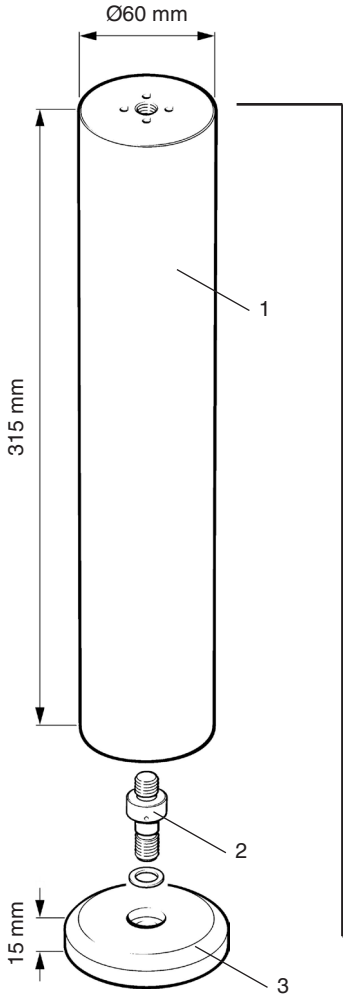


MRS modular rack system (heavy duty legs)

Where an MRS installation has numerous SCP80s containing heavy stylus arrangements, or vertical stylus arrangements exceeding 190 mm, it is recommended that the optional MRS heavy duty leg kits are used to provide additional rigidity/height. These kits can be purchased separately to match the number of legs used on the MRS.

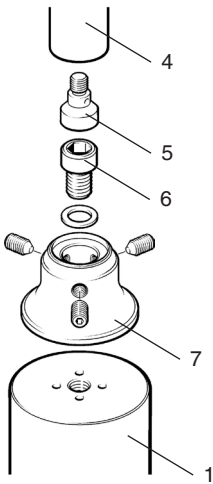
NOTE: The MRS heavy-duty leg kit part number is A-4192-0020 and comprises 1 x heavy duty leg (Ø60 x 350 mm long), 1 x footplate and a selection of double-ended threaded studs.



MRS heavy duty leg kit

MRS heavy duty leg kit

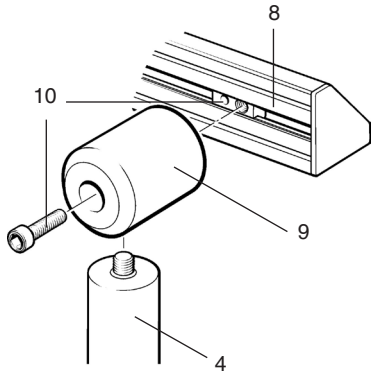
1	Heavy duty leg
2	Double-ended threaded stud
3	Footplate



Connecting the standard leg to the heavy duty leg

Standard MRS kit parts

4	Standard MRS leg
5	Leg to foot adaptor
6	M10 bolt
7	MRS foot
8	MRS rail
9	Step back adaptor
10	Tee nut and bolt



Step back adaptor arrangement

Installation procedure (refer to figures on the previous page)

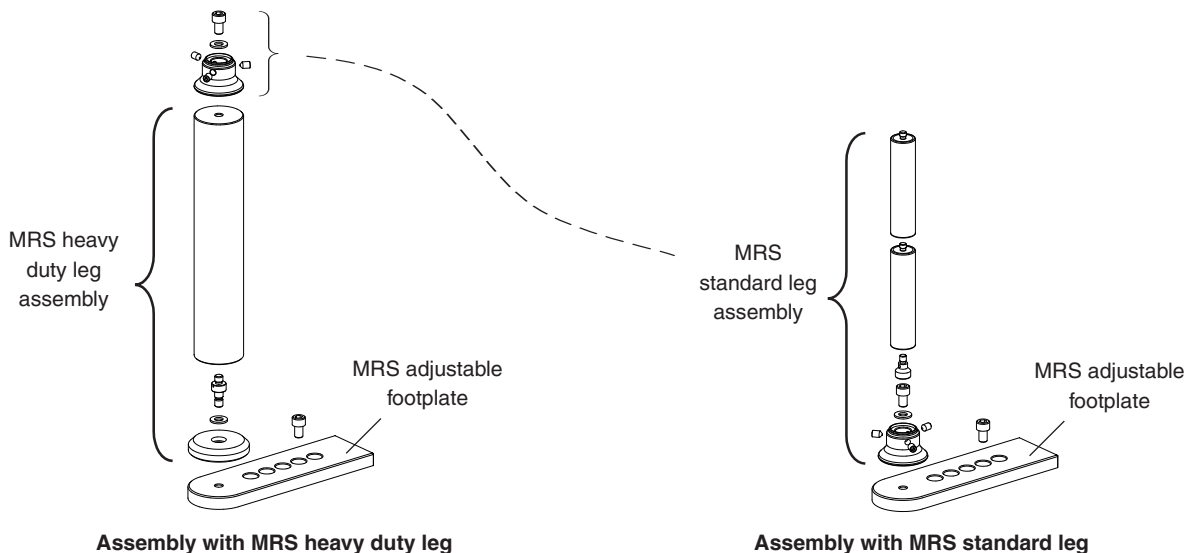
1. The heavy duty leg kit is mounted on the CMM table and immediately beneath the standard MRS leg assembly. The legs should be mounted using the step back adaptor method.
2. Locate the first footplate [3] with a suitable threaded socket on the CMM table having consideration for the required position of the MRS rail that will accommodate all loaded SCP80s within the working volume. Fasten the footplate to the table using the double-ended threaded stud* [2].
3. Locate the second footplate [3] at the appropriate distance along the chosen CMM axis and follow step 2 above.
4. Screw the heavy duty leg [1] to the top of the threaded stud [2] and hand-tighten. Repeat for second leg assembly.
5. Place the first MRS foot [7] (part of the standard MRS leg assembly) on top of the heavy duty leg [1] and secure using the M10 bolt [6]. Repeat for the second leg assembly.
6. Proceed with the remaining construction of the MRS system as described in the MRS installation and user's guide (Renishaw part number H-1000-5088):
 - Aligning the MRS feet to the CMM axis
 - Fixing the standard MRS legs to the rail using step back adaptors
 - Fixing the standard MRS legs to the MRS foot

* Two sets of double ended threaded studs are provided to suit different CMM table configurations. The thread sizes supplied are M10, M8 and M6. Alternatively, 3/16 " UNC and 5/16 " UNC can be obtained on request from your Renishaw supplier.

Other MRS accessories

By using the optional MRS adjustable footplates shown below, the MRS rail can also be placed at different positions on the CMM's bed thereby ensuring that a maximised working volume can be achieved. The MRS adjustable footplates can be used with the MRS standard leg and the MRS heavy duty leg arrangements.

NOTE: The MRS adjustable footplates kit part number is A-4192-0702 and comprises two footplates.



www.renishaw.com/MRS

 #renishaw

 +44 (0) 1453 524524

 uk@renishaw.com

© 2004–2024 Renishaw plc. All rights reserved. This document may not be copied or reproduced in whole or in part, or transferred to any other media or language by any means, without the prior written permission of Renishaw.

RENISHAW® and the probe symbol are registered trade marks of Renishaw plc. Renishaw product names, designations and the mark 'apply innovation' are trade marks of Renishaw plc or its subsidiaries. Other brand, product or company names are trade marks of their respective owners.

WHILE CONSIDERABLE EFFORT WAS MADE TO VERIFY THE ACCURACY OF THIS DOCUMENT AT PUBLICATION, ALL WARRANTIES, CONDITIONS, REPRESENTATIONS AND LIABILITY, HOWSOEVER ARISING, ARE EXCLUDED TO THE EXTENT PERMITTED BY LAW. RENISHAW RESERVES THE RIGHT TO MAKE CHANGES TO THIS DOCUMENT AND TO THE EQUIPMENT, AND/OR SOFTWARE AND THE SPECIFICATION DESCRIBED HEREIN WITHOUT OBLIGATION TO PROVIDE NOTICE OF SUCH CHANGES.

Renishaw plc. Registered in England and Wales. Company no: 1106260. Registered office: New Mills, Wotton-under-Edge, Glos, GL12 8JR, UK.

Part no.: H-1000-4063-02-A

Issued: 11.2024