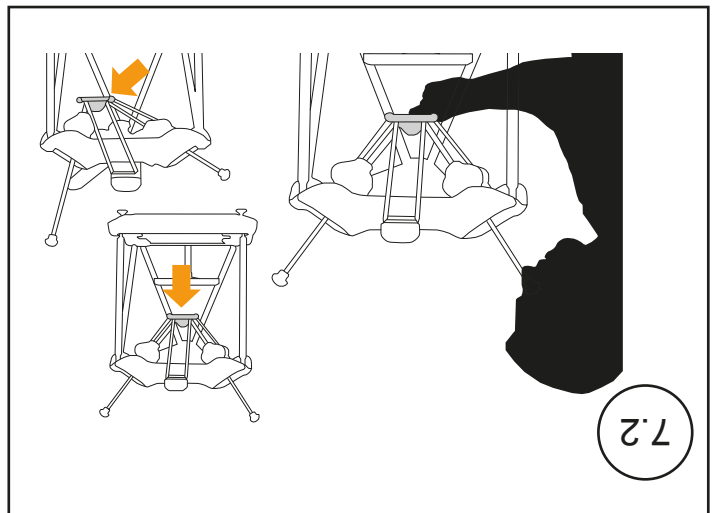
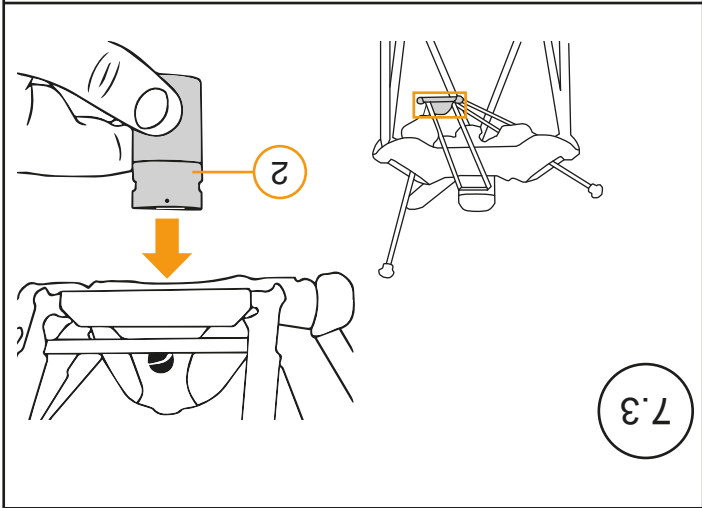


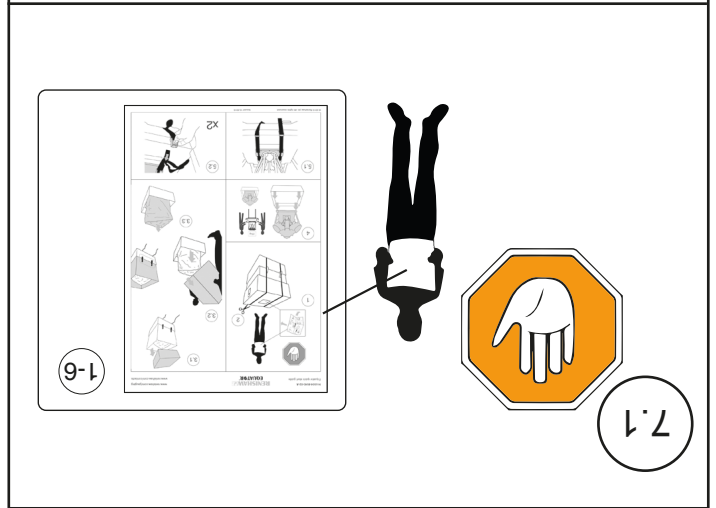
7.4



7.2



7.3



7.1

Renishaw plc
New Mills, Wotton-under-Edge,
Gloucestershire, GL12 8JR
United Kingdom

T +44 (0)1453 524524
F +44 (0)1453 524901
E uk@renishaw.com
www.renishaw.com

RENISHAW
apply innovation™

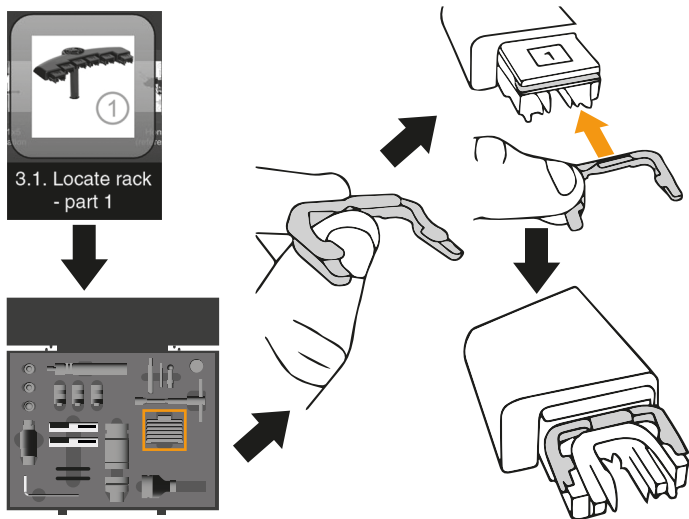
Equator TP20 probe fitment QSG
H-5926-8500-02-A

RENISHAW
apply innovation™

Equator™ TP20 probe fitment

www.renishaw.com/contact

www.renishaw.com/gauging



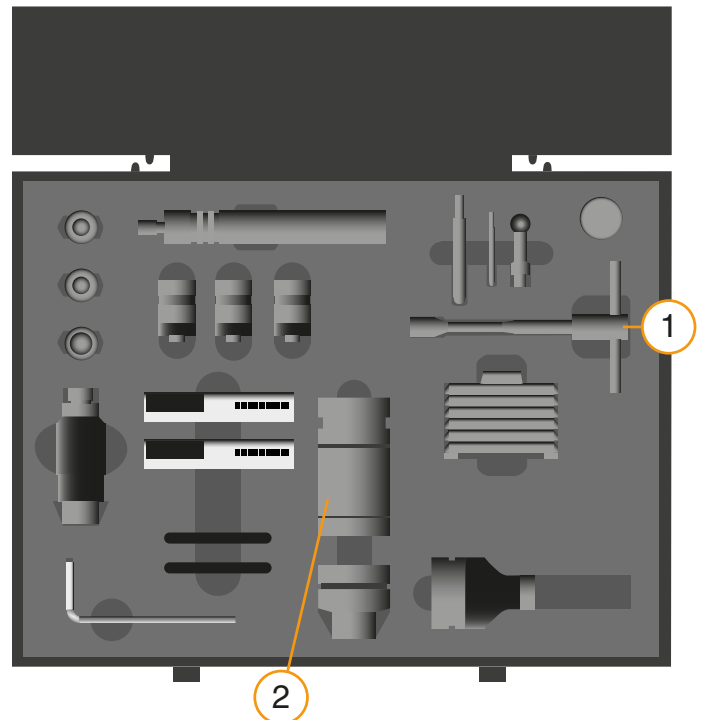
The use of this symbol on Renishaw products and/or accompanying documentation indicates that the product should not be mixed with general household waste upon disposal. It is the responsibility of the end user to dispose of this product at a designated collection point for waste electrical and electronic equipment (WEEE) to enable reuse or recycling. Correct disposal of this product will help to save valuable resources and prevent potential negative effects on the environment. For more information, please contact your local waste disposal service or Renishaw distributor.

RENISHAW® and the probe emblem in the Renishaw logo are registered trademarks of Renishaw plc in the UK and other countries.

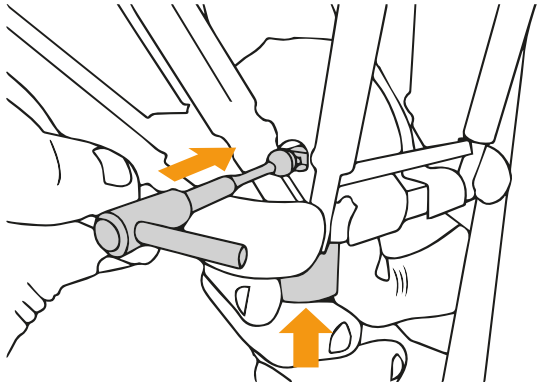
Equator™ and apply innovation™ are trademarks of Renishaw plc.

© 2015 Renishaw plc. All rights reserved.

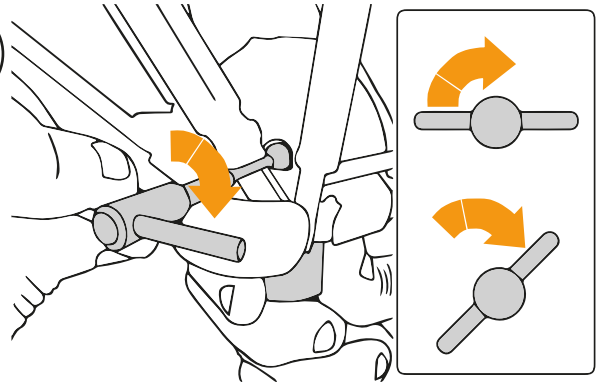
Issued 06.15



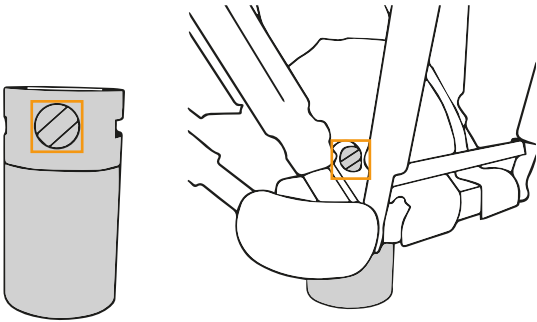
7.5



7.6



7.7



8

