

## LTO2T and LTO2T-R probe systems for lathes



© 2001 – 2005 Renishaw plc. All rights reserved.

This document may not be copied or reproduced in whole or in part, or transferred to any other media or language, by any means, without the prior written permission of Renishaw.

The publication of material within this document does not imply freedom from the patent rights of Renishaw plc.

#### **Disclaimer**

Considerable effort has been made to ensure that the contents of this document are free from inaccuracies and omissions. However, Renishaw makes no warranties with respect to the contents of this document and specifically disclaims any implied warranties. Renishaw reserves the right to make changes to this document and to the product described herein without obligation to notify any person of such changes.

Renishaw part no: H-2000-5028-03-A

Issued: 06.2005

#### **Trademarks**

**RENISHAW®** and the probe emblem used in the RENISHAW logo are registered trademarks of Renishaw plc in the UK and other countries.

**apply innovation** is a trademark of Renishaw plc.

All other brand names and product names used in this document are trade names, service marks, trademarks, or registered trademarks of their respective owners.

#### **Patents**

Features of the Renishaw equipment described in this guide, and features of similar equipment, are the subject of the following patents and/or patent applications:

EP 0283486	JP 2,653,806	US 4899094
EP 0337669	JP 2,945,709	US 5,040,931
EP 0390342	JP 2,994,401	US 5,150,529
EP 0695926		US 5,669,151
		WO 88/02139

**PRELIMINARY**

Safety .....	3
Warranty .....	3
CNC machine .....	3
Caring for the probe / LTO2T-OMP .....	3
Probe IP rating .....	3
Related publications .....	3

**GENERAL**

Introduction .....	4
Typical probe system .....	6
Using two OMMs .....	7
Dimensions .....	8
System performance .....	9
Performance: LTO2T and OMM .....	10
Performance: LTO2T-R and OMM-R .....	12
Performance: LTO2T and OMI .....	14

**INSTALLATION AND CALIBRATION**

Installation – points to consider .....	16
Probe mounting and stylus on-centre adjustment .....	18
Attaching the MA4 90° adaptor and extensions .....	19

**USING THE PROBE**

Modes of operation .....	20
Setting the LTO2T OMP switches .....	22

**MAINTENANCE**

Battery life expectancy .....	24
Removing and replacing the battery .....	25
Screw torque values .....	26

**FAULT FINDING** .....**PARTS LIST** .....**APPENDIX A**

MA4 adaptor and extension bars .....	32
--------------------------------------	----



### EC DECLARATION OF CONFORMITY

Renishaw plc declares that the products:

Name	Description
LTO2T series	Optical signal transmission systems.

have been manufactured in conformity with the following standards:

BS EN 61326: 1998/ A1:1998/A2:2001	Electrical equipment for measurement, control and laboratory use - EMC requirements. Immunity to annex A - industrial locations. Emissions to class A (non-domestic) limits.
---------------------------------------	--

BS EN 60825-1:1993/ A1:1997/A2:2001	Safety of laser products. Part 1: Equipment classification, requirements and user's guide.
--	--

and that they comply with the requirements of the following directives (as amended):

89/336/EEC 73/23/EEC	Electromagnetic compatibility Low voltage
-------------------------	--

The above information is summarised from the EC Declarations of Conformity, available from Renishaw on request.

### FCC DECLARATION (USA)

#### FCC Section 15.19

This device complies with Part 15 of the FCC rules. Operation is subject to the following two conditions:

1. This device may not cause harmful interference.
2. This device must accept any interference received, including interference that may cause undesired operation.

#### FCC Section 15.105

This equipment has been tested and found to comply with the limits for a Class A digital device, pursuant to Part 15 of the FCC rules. These limits are designed to provide reasonable protection against harmful interference when the equipment is operated in a commercial environment.

This equipment generates, uses, and can radiate radio frequency energy and, if not installed and used in accordance with the instruction manual, may cause harmful interference to radio communications. Operation of this equipment in a residential area is likely to cause harmful interference, in which case you will be required to correct the interference at your own expense.

#### FCC Section 15.21

The user is cautioned that any changes or modifications not expressly approved by Renishaw plc, or authorised representative could void the user's authority to operate the equipment.

#### FCC Section 15.27

The user is also cautioned that any peripheral device installed with this equipment such as a computer, must be connected with a high-quality shielded cable to insure compliance with FCC limits.



## Safety

Only qualified persons should change the switch settings or replace fuses.

Where appropriate, remove the mains supply from units before removing covers.

## Warranty

Equipment requiring attention under warranty must be returned to your supplier. No claims will be considered where Renishaw equipment has been misused, or repairs or adjustments have been attempted by unauthorised persons.

## CNC machine

CNC machine tools must always be operated by competent persons in accordance with manufacturers instructions.

## Caring for the probe / LTO2T-OMP

Keep system components clean and treat the probe system as a precision tool.

## Probe IP rating

IPX8

## Related publications

When you install the LTO2T or LTO2T-R probe system, you will also need to refer to one or more of the publications listed below for details of how to install the ancillary equipment.

- *Optical module machine (OMM) installation and user's guide* – Renishaw part No. H-2000-5044.
- *MI 12 interface unit installation and user's guide* – Renishaw part No. H-2000-5073.
- *Optical machine interface (OMI) installation and user's guide* – Renishaw part No. H-2000-5062.
- *PSU3 power supply unit installation and user's guide* – Renishaw part No. H-2000-5057.

This guide describes the following Renishaw inspection probe systems for lathes:

- LTO2T
- LTO2T-R (visible-red model) – *see page 12.*

## System components

Each system comprises the following main components:

- An LTO2T optical module probe (OMP).
- A 3D touch-trigger inspection probe ( $\pm X$ ,  $\pm Y$  and  $+Z$  directions). This is either a Renishaw LP2 or LP2H probe. The LP2 is more sensitive than the LP2H, which has a greater resistance to vibration and can support heavier styli. The probe is mounted in the OMP.
- An optical transmitter and receiver unit (OMM) and an MI 12 machine interface unit.

The interface unit may be either a free-standing MI 12 interface unit or an MI 12 interface board.

- Alternatively, an optical receiver and machine interface unit (OMI) may be used instead of the OMM and MI 12 interface. This unit combines the functions of both the OMM and MI 12 in one unit.
- A PSU3 power supply unit. This is an optional unit. It provides a 24 V supply to the interface unit when a suitable power supply is not available from the CNC machine controller.
- Renishaw software for probe routines.
- LPE extension bars. One of these can be fitted between the OMP and the LP2 probe to provide greater access to workpiece features.
- MA4 90° adaptor. This allows the LP2 probe to be mounted at 90° to the machine turret and set through 360°.

## Operation

The LTO2T OMP is mounted in a tool position on the lathe turret and receives and transmits optical signals. Power for operation is provided by an internal battery. A 3D touch-trigger inspection probe, either an LP2 or LP2H, is mounted on the OMP.

A workpiece setup and inspection cycle may be included at any stage of the machining process. When a cycle is initiated, signals pass from the CNC control to the OMP, via MI 12 and OMM units. Signals also return along the same route.

The MI 12 interface unit converts the probe signals into the correct format for the CNC machine control.

Instead of the OMM and MI 12 combination, an OMI may have been installed. This process signals in the same way as the OMM and MI 12.

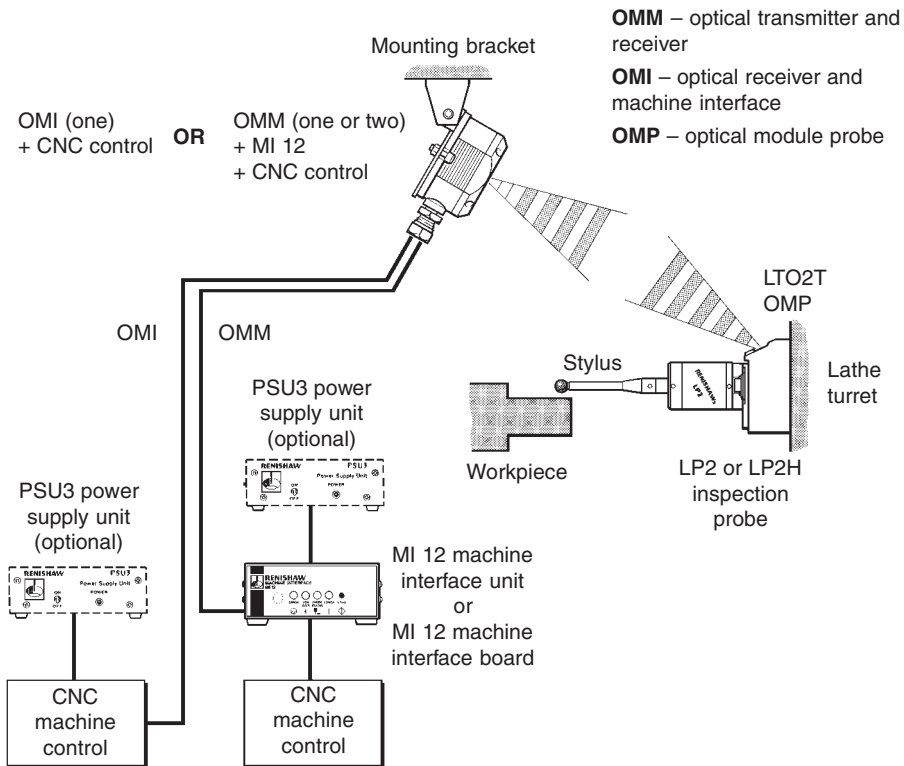
## Using two OMMs

If it is not possible for one OMM to cover the full range of movement of the LTO2T OMP, a second OMM may be added. The reception cones of the OMMs must be arranged to overlap so that they act as one receiver over the area they cover.

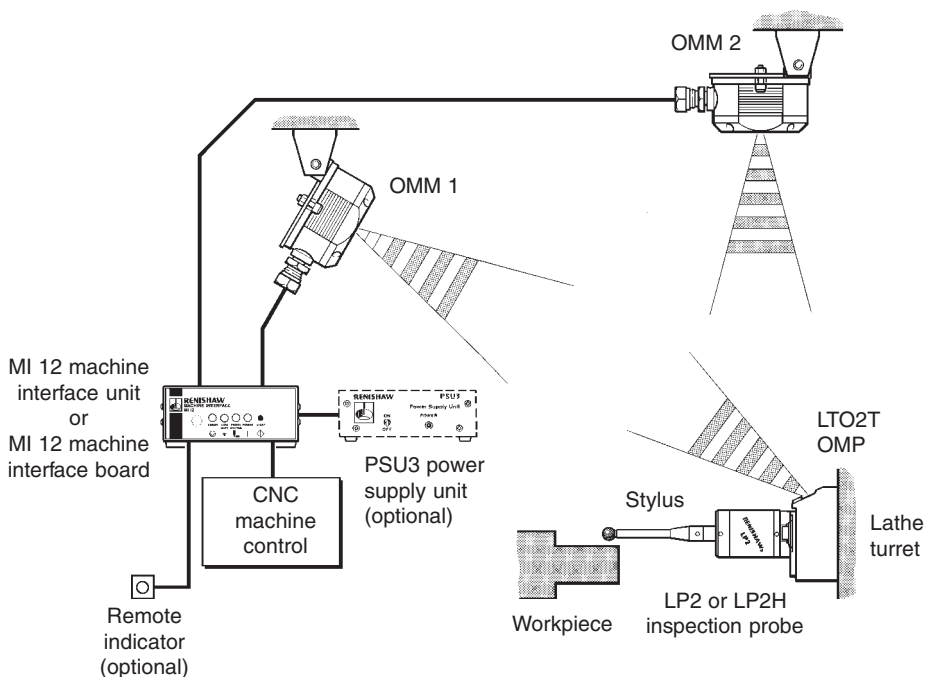
## Remote indication

When the inspection probe contacts a surface, a PROBE STATUS LED on the MI 12 changes state and a bleep is emitted.

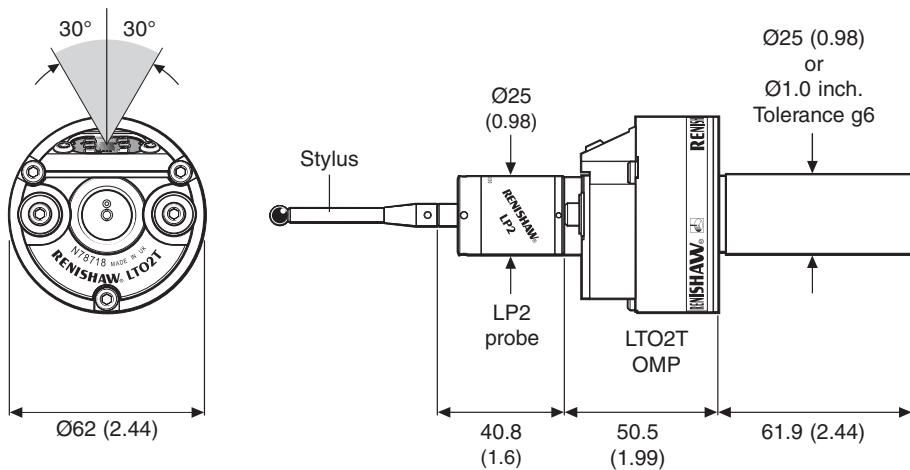
If the MI 12 is hidden from the operator, an optional remote lamp or bleeper may be placed in a position where it is easily seen or heard.







Dimensions in mm (in)



## Environment

PROBE – LTO2T OMM, MI 12 INTERFACE OMI, PSU3	TEMPERATURE
Storage	–10° C to 70° C (14° F to 158° F)
Operating	5° C to 50° C (41° F to 122° F)

## Operating envelope

For the LTO2T, see pages 11 and 15.

For the LTO2T-R, see page 13.

Natural reflective surfaces within the machine may increase the signal transmission range.

Performance plots in the ambient temperature range 5° to 50° C (41° to 122° F) are shown on pages 11 to 15.

Operation in temperatures of 0° to 5° C or 50° to 60° C (32° to 41° F or 122° to 140° F) will result in some reduction in range.



### CAUTION

- Switch power off when working inside electrical components.
- The probe is a precision tool. Always handle it with care.
- Before using the probe, ensure it is firmly secured in its mounting.

## Regular maintenance

Although Renishaw probes require little maintenance, the performance is adversely affected if dirt, chips or liquids are allowed to enter the sealed working parts. Therefore keep all components clean and free from grease and oil. Periodically check cables for signs of damage, corrosion or loose connections.

## Cleaning

Coolant residue accumulating on the probe transmitter LEDs and receiving diode, and on the OMM or OMI windows has a detrimental effect on transmission performance.

Wipe clean as often as is necessary to maintain unrestricted transmission.

## LTO2T and OMM

The diodes of the LTO2T OMP and OMM must be mutually in the others field of view and within the performance envelope shown on the page opposite.

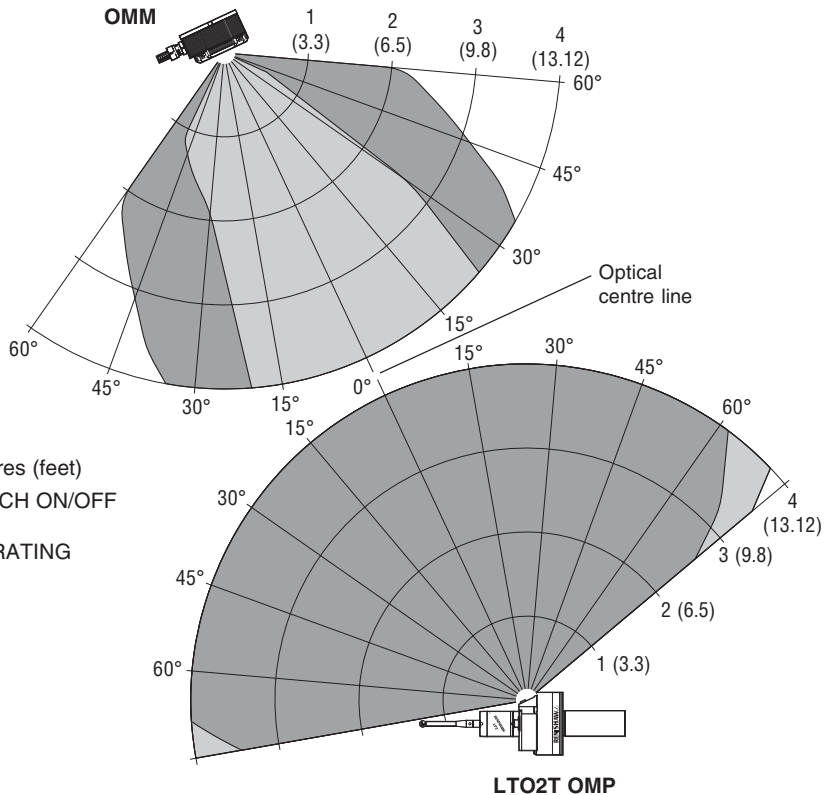
### Switch On/Off range

The LTO2T OMP must be within 4 m (13.12 ft) of the OMM.

### Operating range

The LTO2T OMP must be within 4 m (13.12 ft) of the OMM.

Rotation of the LTO2T OMP window is to be within  $\pm 20$  degrees of the optical centreline.



## Visible red ('R') OMP model

When a lathe is fitted with two optical signal transmission systems, problems with signal crosstalk between the OMPs can occur. To prevent this, one of the OMPs should be an LTO2T-R visible-red ('R') model.

Signals transmitted from this OMP are of a different optical frequency to the signals transmitted from a standard LTO2T model OMP.

Most aspects of an LTO2T-R visible red system are the same as those for an LTO2T system with the following exceptions:

- 1 The only system combination is an LP2, LTO2T-R, OMMR, and MI 12. No 'R' version of the OMI is available.
- 2 Visible red light does not transmit as far as infra red.

## LTO2T-R and OMM-R

The diodes of the LTO2T-R OMP and OMM-R must be mutually in the others field of view and within the performance envelope shown on the page opposite.

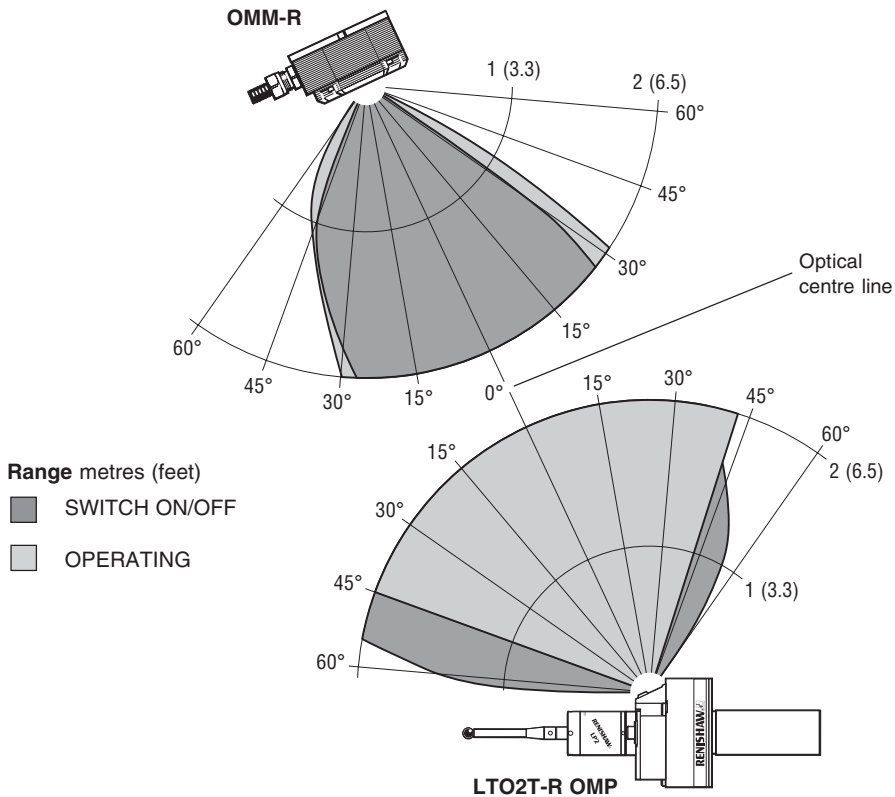
### Switch on/off range

The LTO2T-R OMP must be within 2 m (6.6 ft) of the OMM-R.

### Operating range

The LTO2T-R OMP must be within 2 m (6.6 ft) of the OMM-R.

Rotation of the LTO2T-R OMP window is to be within  $\pm 15$  degrees of the optical centreline.



## LTO2T and OMI

The diodes of the LTO2T OMP and OMI must be mutually in the others field of view and within the performance envelope shown on the page opposite.

### Switch On/Off range

The LTO2T OMP must be within 4 m (13.12 ft) of the OMI.

### Operating range

The LTO2T OMP must be within 4 m (13.12 ft) of the OMI.

Rotation of the LTO2T OMP window is to be within  $\pm 30$  degrees of the optical centreline.

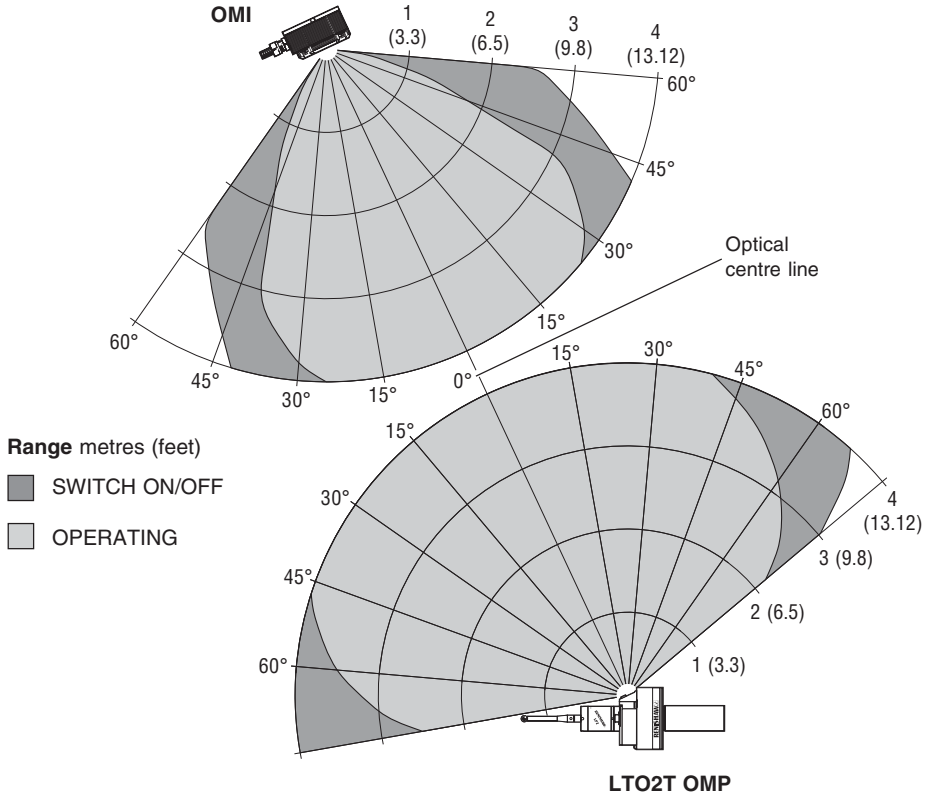
---

#### **NOTE: LTO2T-R model**

This transmission plot is not applicable to the LTO2T-R model. No 'R' version of the OMI is available.

---





Installation is the responsibility of your Renishaw supplier or the machine tool manufacturer. Information is given in this section to assist in overcoming basic problems. You are recommended to seek specialist advice where this is appropriate.

## **Cable routing and electrical interference**

Care should be taken to ensure that signal cables are routed away from high current sources, e.g. high current cables, axis drive motors and 3-phase transformers.

## **Optical interference**

Renishaw optical transmission systems are designed to be immune from normal optical interference. However there is a level above which powerful light sources will interfere with the optical system.

There are two categories of interference:

- Intermittent light sources
- Local strong continuous light sources

## **Intermittent light sources**

### **Rotating-type beacons with incandescent light source**

This type of beacon will not cause interference unless:

- it is situated within two metres of the OMM, and
- its mirror reflects light directly at the OMM.

### **Xenon-type beacons**

This type of beacon produces fast, very powerful pulses of light and cannot safely be used near the OMM. It is undesirable to operate the system in an environment that contains Xenon beacons, i.e. on machine tools or AGVs.

### **Arc, MIG or TIG welding**

These can produce optical interference similar to that of a Xenon beacon. Xenon beacon restrictions therefore apply.

### Other interfering light sources

It is possible that fast changes in light levels, e.g. a match being struck or a lighter being lit, will cause errors if the source is within 500 mm of the OMM window. Abnormal changes in light levels must therefore be avoided.

### Local strong continuous light sources

- If fluorescent lamps are used for workpiece lighting, the OMM should be kept at a distance of at least one metre from the source.
- If quartz halogen lamps of greater than 60 W are used, the OMM should be kept at a distance of at least two metres from direct emission from source.
- It should also be noted that direct sunlight should not be allowed to shine on the OMM window, as this could cause errors.

If it is not convenient to maintain these distances and any of the problems listed above are experienced, then a shield (similar to a camera lens hood) can be used to shield the OMM from direct contact with the interference.



**CAUTION:** If two systems are operating in close proximity to each other, take care to ensure that signals transmitted from the OMP on one machine are not received by the OMM or OMI on the other machine, and vice versa.

### OMM and OMI positioning

To assist finding the optimum position of the OMM during system installation, signal strength outputs are available on the MI 12 interface.

OMI signal strength is displayed on an OMI multi-coloured LED.

## Probe mounting

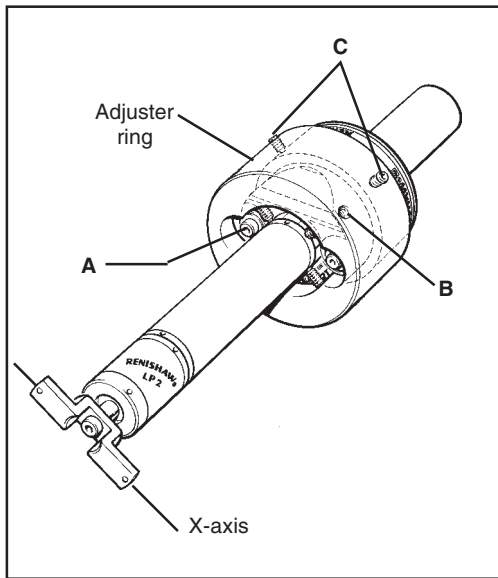
The LTO2T OMP mounts directly in the lathe turret.

- 1 Align the OMP with the OMM/OMI then clamp the OMP in the turret. The probe can now be moved relative to the OMP.

## On-centre adjustment

On-centre adjustment of the stylus is carried out using the on-centre adjuster ring.

- 1 Slacken screws **A** between a quarter-turn and a half-turn. The spring washers will maintain a light grip.
- 2 Place the adjuster ring onto the OMP, and position it with one set of opposing screws **B** in line with the Y-axis of the machine.
- 3 Tighten screws **C**.
- 4 Adjust screws **B** to move the probe. Progressively slacken one screw and tighten the opposite screw as the final setting is approached. Use two hexagon keys to do this.

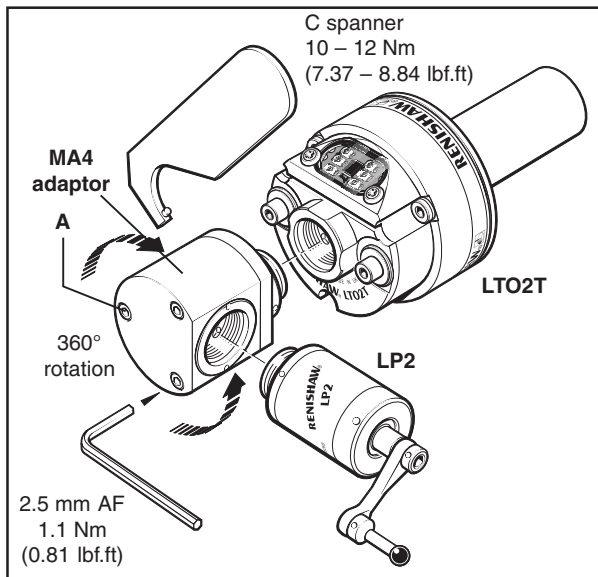


- 5 When the stylus is correctly positioned, tighten screws **A** to 2.6 Nm (1.91 lbf.ft).
- 6 Slacken screws **B** and **C** and remove the adjuster ring.

## MA4 90° adaptor

This adaptor enables the probe to be mounted at 90° to the machine spindle centre line. This extra versatility allows the probe to reach otherwise inaccessible workpiece features.

- 1 Screw the MA4 into the OMP and tighten it with the C spanner to 10–12 Nm (7.37–8.84 lbf.ft). The C spanner is also used to tighten the LP2 or LP2H probe in its mounting.
- 2 Slacken the three screws **A**.
- 3 Rotate the MA4 to any position through 360°.
- 4 Tighten the three screws **A** to 1.1 Nm (0.81 lbf.ft).
- 5 Screw the LP2 or LP2H probe into the MA4 adaptor and tighten it with the C spanner to 10–12 Nm (7.37–8.84 lbf.ft).



## LPE extension bars (not shown)

Extension bars up to 150 mm long can be fitted between the MA4 and the probe using the C spanner provided.

## Modes of operation

The LTO2T has two modes of operation:

- 1 **Standby mode** – the OMP uses only a small current while passively waiting for the switch-on signal. This helps conserve battery life.
- 2 **Operating mode** – this is activated by one of the methods described in “Switch-on modes”. Signals are transmitted by the probe only during the operating mode.

### LTO2T power on/off

LTO2T power switch on/off occurs only when the LTO2T is located within the switch on/off envelope of the OMP and OMM/OMI.

### Debounce time

After the probe is switched on a time delay must occur before it can be switched off. This is known as the debounce time. The delay is factory set to 5 seconds, but it can be reset to 9 seconds by resetting the internal switch. A similar delay occurs after the probe is

switched-off and before it can be switched on again.

## Switch-on modes

Three options are provided for switching on the LTO2T. These are selected by switches on the MI 12 or OMI (for details, see the MI 12 or OMI guides).

- 1 **Manual start** (Optical-on). This is initiated by the MI 12 start button (on the OMM version only).
- 2 **Machine start** (Optical-on). This is initiated by a software M-code command (*factory set mode*).
- 3 **Auto start** (Optical-on). This causes the system to send an optical start signal once every second and does not require a machine control input.

---

**NOTE:** Auto start should **not** be selected when the LTO2T is set to the Optical-on/Optical-off option. (An Auto start signal will force the LTO2T to switch on and then off at 5 or 9 second intervals.)

---

After the probe is switched on, the debounce time must elapse before the probe can be switched off.

## Switch-off modes

The LTO2T has two switch-off modes. These are selected by setting an internal switch (for details of the switch, see page 23).

### 1 **Optical-on and Timer-off** (Timeout) (*factory set mode*).

A timer switch automatically returns the probe to the standby mode after either 33 or 134 seconds. The timer is factory set to 134 seconds. The 33 second option is selected by resetting the internal switch.

When the timeout period is set to either 33 seconds or 134 seconds, the timer is reset for a further 33 or 134 seconds each time the probe triggers during the operating mode.

---

**NOTE:** A start signal received during the time the probe is on also resets the timer on for another 33 or 134 seconds.

---

- ### 2 **Optical-on and Optical-off** (*optional*)
- Optical switch-off is initiated by a software M-code. Debounce times apply.



**IMPORTANT:** Only qualified persons should change the switch settings.

---

## Gaining access to the switch

- 1 Remove the two screws (1) and washers (2, 3) that secure the front plate (4) (see the figure on the page opposite).
- 

**NOTE:** Wires are attached to the back of the front plate (4). Do NOT pull off the plate but ease it off carefully.

---

- 2 Remove the front plate (4), taking care not to strain the wires. The Dual-In-Line (DIL) switch (5) is now accessible.
- 3 If the O-ring shows signs of damage and needs to be replaced, unsolder the wires from the front plate (4).

## Switch settings

---

**NOTE:** When changing the switch settings:

- Do not touch electronic components.
  - Do not strain or disconnect wires.
  - Do not use the tip of a pencil to change the settings.
  - Keep all components clean – do not allow coolant or particles to enter the probe body.
- 

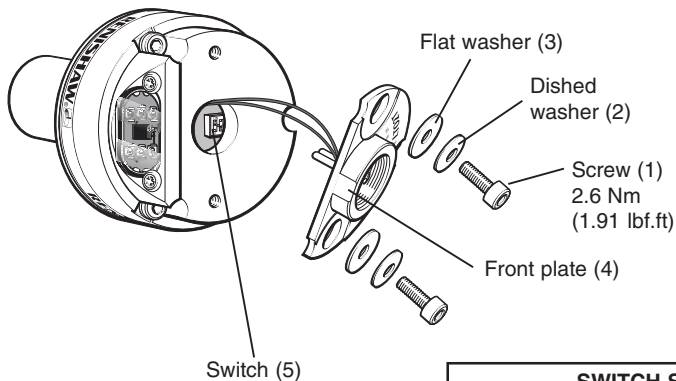
The functions and factory settings of the switches are shown in the figure on the page opposite.

## Refitting the front plate

When the front plate of the probe is removed, the O-ring seal that protects the electronics is disturbed.

- 1 To ensure that the integrity of sealing is maintained when the front plate is refitted, check the condition of the O-ring and replace it if necessary. Grease the O-ring before fitting it.





- 2 If the wires were unsoldered to allow the O-ring to be replaced, resolder them to the back of the front plate (4).
- 3 Refit the front plate (4).
- 4 Refit the two flat washers (3), dished washers (2) and screws (1). Tighten the screws to 2.4 – 2.6 Nm (1.76 – 1.91 lbf.ft).

SWITCH SETTINGS		
<b>1 DEBOUNCE</b> 5 seconds <i>(factory set)</i>	<b>2 TIMEOUT</b> 33 seconds	<b>3 MODE</b> Optical on Optical off
<b>1 DEBOUNCE</b> 9 seconds	<b>2 TIMEOUT</b> 134 seconds <i>(factory set)</i>	<b>3 MODE</b> Optical on Timer off <i>(factory set)</i>

## Low battery indication

When either the MI 12 or OMI low battery LED lights up, battery voltage is low and the end of useable battery life is approaching.

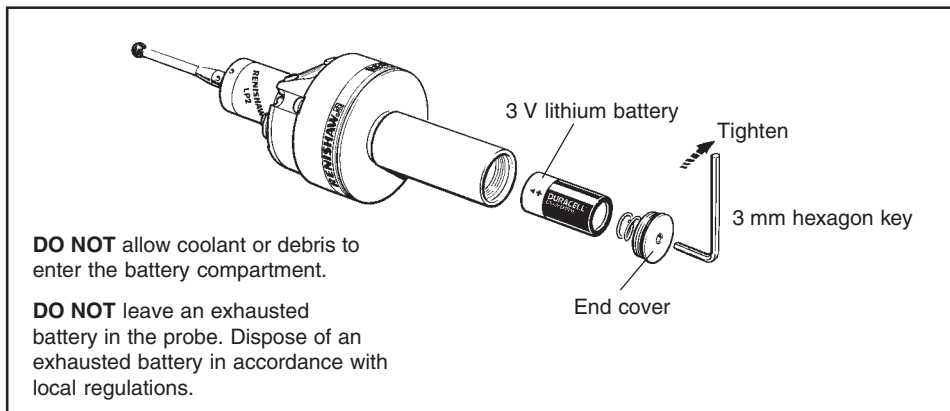
The low battery LED only lights during the probe operating mode.

The machine control may also be programmed to flag up a low battery alarm.

The OMI or MI 12 interface low battery LED lights when the battery needs to be replaced. Replace the battery as soon as is practicable following a gauging cycle.

## Typical battery life

Probe type	Standby life	5% usage (72 minutes per day)		Continuous use	
		Optical on Optical off	Optical on Timer off	Optical on Optical off	Optical on Timer off
LTO2T LTO2T-R	108 days	45 days	42 days	88 hours	81 hours

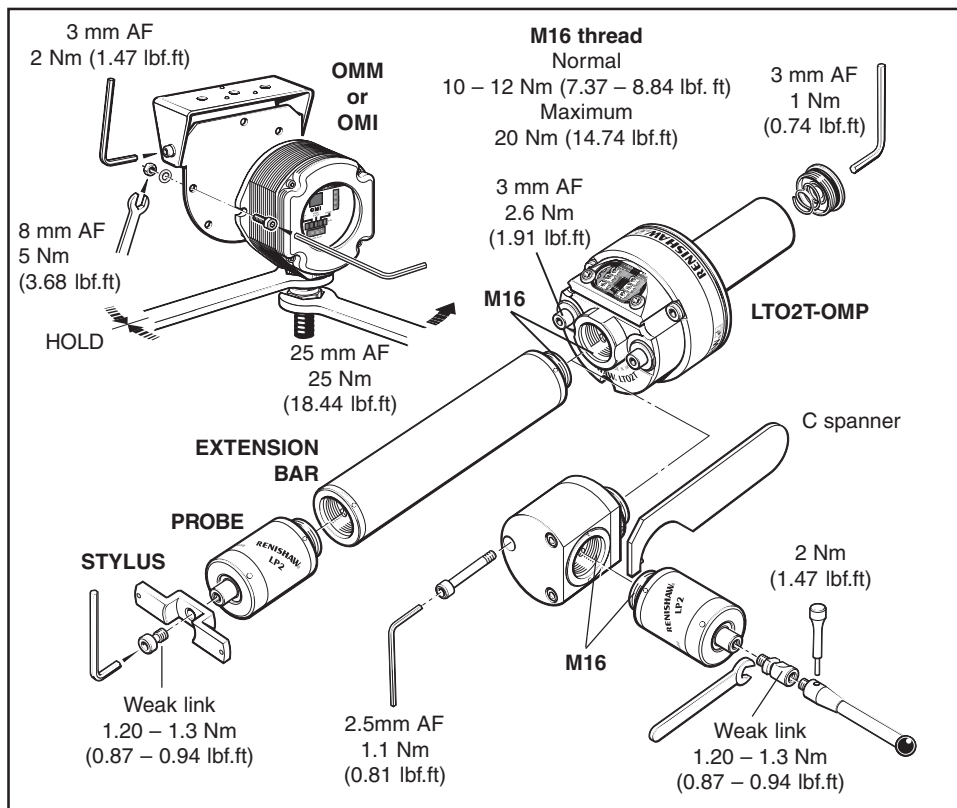


## Removing the battery

- 1 If the end cover is not accessible, remove the LTO2T OMP from the machine turret.
- 2 Unscrew the end cover with a 3 mm hexagon key.
- 3 Remove the battery.

## Replacing the battery

- 1 Insert the battery into the battery compartment, positive (+) end first.
- 2 Refit the end cover and tighten to 1.0 Nm (0.74 lbf.ft).
- 3 Refit the LTO2T OMP in the turret (if removed).
- 4 If the LTO2T OMP has been removed from the turret, recalibrate the probe system before use.



## PROBE FAILS TO SWITCH ON

Probe is already switched on.	If necessary, switch off the probe.
Dead battery.	Change battery.
Battery installed incorrectly.	Check battery installation.
Probe is not properly aligned with OMM/OMI.	Check alignment and that the OMM/OMI fixing is secure.
Beam obstructed.	Check that OMM/OMI window is clean. Remove the obstruction.
OMM/OMI signal is too weak.	See performance envelope on pages 11, 13 and 15.
No OMI start signal.	See the OMI installation and user's guide.
No power to MI 12 or OMI	Check that a stable 24 V supply is available. Check connections and fuses.

## PROBE STOPS IN MID-CYCLE

Beam is obstructed.	Check OMI/MI 12 error LED. Remove the obstruction.
Probe collision.	Find the cause and rectify.
Damaged cable.	Check the cables.

Power supply lost.	Check the power supply.
Probe unable to find the target surface.	Part is missing or out of position.

## PROBE CRASHES

Inspection probe using tool setting probe signals.	When two systems are active, isolate the tool setting probe.
Workpiece obstructing probe path.	Review probe software.
Probe length offset missing.	Review probe software.

## POOR PROBE REPEATABILITY

Debris on the part.	Clean the part.
Turret repeatability poor.	Verify probe repeatability using a single point move.
Loose mounting of probe/loose stylus.	Check and tighten as appropriate.
Calibration and update of offsets not occurring.	Review probe software.
Calibration and probing speeds not the same.	Review probe software.
Calibrated feature has moved.	Check the position.
Measurement occurs as the stylus leaves the surface.	Review probe software.

**POOR PROBE REPEATABILITY**

Probing occurs within machine's acceleration and deceleration zones. Review probe software.

Probe feedrate too high. Perform simple repeatability trials at various speeds.

Temperature variation causes excessive machine and workpiece movement. Minimise temperature changes. Increase frequency of calibration.

Machine has poor repeatability due to loose encoders, tight slideways and/or accident damage. Perform health check on the machine.

**PROBE FAILS TO SWITCH OFF**

Probe is in Timeout mode. Wait a minimum of 2 min 20 seconds for the probe to switch off.

Turret indexed, while the probe is switched on. Restore the turret to the probing position.

Probe is inadvertently switched on by OMM/OMI. Increase the distance between the probe and OMM/OMI. Reduce the OMM/OMI signal strength.

**PROBE STATUS LED FAILS TO ILLUMINATE**

Battery is incorrectly fitted. Check the battery installation.

**MI 12 POWER LED FAILS TO ILLUMINATE WITH POWER ON**

Faulty electrical contact. Check all connections.

Fuse blown. Locate and replace blown fuse.

Incorrect power supply. Ensure power supply is 24 V dc.

**MI 12 ERROR LED REMAINS ILLUMINATED**

Beams is not aligned. Check optical alignment.

Beams is obstructed. Clear obstruction.

Probe is not switched on. Check that it is switched on.

**MI 12 LOW BATTERY LED REMAINS ILLUMINATED**

Battery is incorrectly fitted. Check the battery installation.

Battery dead. Replace the battery.

**PROBE STATUS LED REMAINS ILLUMINATED**

Battery voltage below useable level. Replace the battery.

**PROBE IS TRANSMITTING SPURIOUS READINGS**

Damaged cables.	Check and replace the cable if damage is found.
Electrical or optical interference.	Move transmission cables away from other cables carrying high currents.
System malfunctioning or inducing intermittent errors.	Shield from intense light sources, e.g. xenon beams. Electrically isolate the OMM from the machine to prevent any possibility of earth loop. Ensure there are no arc welders, stroboscopes or other high intensity light sources in close proximity to the probe system.
Poorly regulated power supply.	Ensure the power supply is correctly regulated.
Excessive machine vibration.	Eliminate vibration.
Loose mountings or styli.	Check and tighten loose connections.
Low LP2 spring pressure.	Increase the spring pressure.

**PROBE FAILS TO RESEAT CORRECTLY**

Probe trigger occurred on reseat.	Move the stylus clear of the workpiece.
Inner probe diaphragm is damaged.	Return to the supplier if the inner diaphragm is damaged.

**30                      Parts list – Please quote the Part no. when ordering equipment**

<b>Type</b>	<b>Part no.</b>	<b>Description</b>
LTO2T	A-2030-0218	LTO2T OMP (Ø25 mm shank) complete with battery, 3 mm hexagon key, stylus on-centre adjuster and user's guide
LTO2T	A-2030-0274	LTO2T OMP (Ø1 inch shank) complete with battery, 3 mm hexagon key, stylus on-centre adjuster and user's guide
Battery	P-BT03-0006	3 V lithium battery – Duracell type DL123A
Battery cap	A-2030-0370	Battery cap assembly.
LP2	A-2063-6098	LP2 probe complete with two C spanners and TK1 tool kit.
LP2H	A-2064-0002	LP2H probe complete with two C spanners and TK1 tool kit.
Service kit	A-2063-7542	LP2 service kit comprises: front cover, eyelid seal, spring and O-ring.
MA4 adaptor	A-2063-7600	MA4 90° adaptor.
Extension bar	A-2063-7001	LPE1 – extension bar Ø25 x 50 mm long.
Extension bar	A-2063-7002	LPE2 – extension bar Ø25 x 100 mm long.
Extension bar	A-2063-7003	LPE3 – extension bar Ø25 x 150 mm long.
Stylus	A-5000-3709	Ceramic PS3-1C stylus 50 mm long with Ø6 mm ruby ball.
Protection	M-5000-7582	Stylus adaptor with weak link collision protection for straight steel styli.



Type	Part no.	Description
Protection	M-5000-7587	Screw with weak link collision protection for disk steel styli.
Protection	M-5000-7588	Screw with weak link collision protection for swivel adaptor.
TK1	A-2053-7531	Probe head tool kit comprising: stylus tool, hexagon keys 1.5 mm, 2.0 mm, 2.5 mm and 4.0 mm.
C spanner	A-2063-7587	C spanner.
<b>Parts specific to the LTO2T-R (visible red) system only</b>		
LTO2T-R	A-2030-0227	LTO2T-R OMP (Ø25 mm shank) complete with battery, 3 mm hexagon key, stylus on-centre adjuster and user's guide
OMMR	A-2031-0181	Optical receiver for LTO2T-R system
<b>OMM, OMI, MI 12 and PSU3</b>		
OMM	A-2033-0576	Optical module machine (OMM) complete with cable
Mounting brkt	A-2033-0830	Mounting bracket for OMM / OMI / OMMR
OMI	A-2115-0001	Optical module interface (OMI) complete with cable
MI 12	A-2075-0142	MI 12 machine interface unit
MI 12B	A-2075-0141	MI 12 machine interface board
Panel mtg	A-2033-0690	Panel mounting kit for MI 12 machine interface unit
PSU3	A-2019-0018	PSU3 power supply unit, 85 V – 264 V input

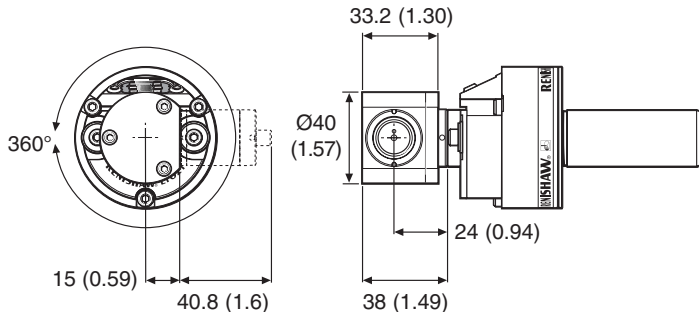
The MA4 90° adaptor and extension bars are described in Renishaw data sheet AEH H-2000-2120.

### Dimensions mm (in)

## MA4 90° adaptor

The adaptor enables the LP2 probe to be mounted at 90° to the machine turret, and set through 360°.

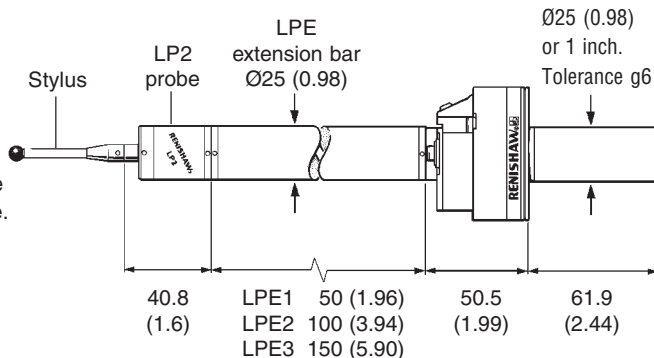
The MA4 uses the same M16 thread as the LP2.



## LPE extension bars

Further reach may be obtained by fitting an LPE extension bar between the LP2 probe and LTO2T OMP.

Extension bars use the same M16 thread as the LP2 probe. Only one extension bar is permitted per installation.



**Renishaw plc**  
New Mills, Wotton-under-Edge,  
Gloucestershire, GL12 8JR  
United Kingdom

**T** +44 (0)1453 524524  
**F** +44 (0)1453 524901  
**E** uk@renishaw.com  
[www.renishaw.com](http://www.renishaw.com)

**RENISHAW**   
**apply innovation™**

**For worldwide contact details, please  
visit our main web site at  
[www.renishaw.com/contact](http://www.renishaw.com/contact)**



H - 2000 - 5028 - 03