

# FORTiS-S™ enclosed encoder system Functional Safety installation guide and safety manual



This page is left intentionally blank.

# Contents

1	Legal notices .....	.6
1.1	Patents .....	.6
1.2	Terms and Conditions and Warranty .....	.6
1.3	Declaration of Conformity .....	.6
1.4	Product compliance .....	.6
1.5	Federal Code Of Regulation (CFR) FCC Part 15 – RADIO FREQUENCY DEVICES .....	.7
1.6	Intended use .....	.7
1.7	Warnings .....	.7
1.8	Packaging .....	.8
1.9	REACH regulation .....	.8
1.10	Disposal of waste electrical and electronic equipment .....	.8
1.11	Further information .....	.8
2	Definitions .....	.9
3	Information for use .....	.9
4	Functional Safety data declaration .....	.10

5	Safety function	.11
5.1	Fault exclusions	.11
5.2	Failure modes effects and diagnostics analysis	.11
5.3	Installation	.11
5.4	Commissioning test	.11
5.5	Evaluation unit monitoring	.12
5.6	Maintenance	.12
5.7	Repair	.12
5.8	Proof testing	.12
6	Certification	.13
7	Summary of EU declaration of conformity	.13
8	Summary of UK declaration of conformity	.14
9	Overview of the FORTiS-S FS encoder system	.14
10	Parts list	.15
10.1	Included in the box	.15
10.2	Not included / required tools	.16
10.3	Optional extras	.17
10.4	Cable options	.17
11	Storage and handling	.18
12	Installation drawings	.19
12.1	Mounting surface preparation	.19
12.2	Location edge or dowel pins	.19
12.3	Mounting orientations	.20
12.4	FORTiS system installation drawings	.21
12.5	Mounting holes positions table	.22

13 Product specification . . . . .	.24
14 Installation procedure – extrusion . . . . .	.25
14.1 Protection for sealed linear encoders . . . . .	.25
14.2 Fitment – general . . . . .	.26
15 Installation procedure – readhead . . . . .	.27
15.1 Measuring length . . . . .	.27
15.2 Alignment bracket method . . . . .	.27
15.3 Set-up shim method . . . . .	.29
15.4 Installation using the mounting aid method . . . . .	.31
15.5 FORTiS cable connection . . . . .	.33
15.6 Validating an installation. . . . .	.34
15.7 Air supply . . . . .	.35
16 Cables and serial interfaces . . . . .	.36
16.1 General specifications . . . . .	.36
16.2 Permissible cable lengths. . . . .	.36
16.3 BiSS Safety serial interface . . . . .	.39
16.4 Siemens DRIVE-CliQ serial interface. . . . .	.41

# 1 Legal notices

## 1.1 Patents

Features of Renishaw's encoder systems and similar products are the subjects of the following patents and patent applications:

CN1260551	US7499827	JP4008356	GB2395005	US20100163536
US20150225858	CN102197282	EP2350570	JP5480284	US8505210
KR1630471	CN102388295	EP2417423	KR1701535	US2012007980
CN102460077	EP2438402	US20120072169	KR1851015	JP6074392
JP5755223	EP01103791	US6465773		

## 1.2 Terms and Conditions and Warranty

Unless you and Renishaw have agreed and signed a separate written agreement, the equipment and/or software are sold subject to the Renishaw Standard Terms and Conditions supplied with such equipment and/or software, or available on request from your local Renishaw office.

Renishaw warrants its equipment and software for a limited period (as set out in the Standard Terms and Conditions), provided that they are installed and used exactly as defined in associated Renishaw documentation. You should consult these Standard Terms and Conditions to find out the full details of your warranty.

Equipment and/or software purchased by you from a third-party supplier is subject to separate terms and conditions supplied with such equipment and/or software. You should contact your third-party supplier for details.

## 1.3 Declaration of Conformity

Renishaw plc hereby declares that the FORTiS-S™ encoder system is in compliance with the essential requirements and other relevant provisions of:

- the applicable EU directives
- the relevant statutory instruments under UK law.



The full text of the Declaration of Conformity is available at: [www.renishaw.com/productcompliance](http://www.renishaw.com/productcompliance)

## 1.4 Product compliance

This document is an installation guide and safety manual which details the actions required for the safe integration of the FORTiS-S FS encoder system with BiSS Safety or Siemens DRIVE-CLiQ serial interfaces, as designated by the letter S in this location in the part number, e.g. FN100A012HC28DS050X, into a functionally safe system.



The FORTiS-S FS encoder system is suitable for use in a Category 3 performance level d (PLd) application in compliance with ISO 13849-1 and in a safety integrity level 2 (SIL2) application in compliance with IEC 61508-1 and IEC 61800-5-2 when installed and operated in accordance with the instructions defined. Failure to follow the correct use instructions and failure to heed the limitations may result in SIL2 and/or PLd not being achieved and will invalidate the Functional Safety certification.

A copy of the FORTiS-S FS encoder system certificate is available from our website: [www.renishaw.com/productcompliance](http://www.renishaw.com/productcompliance)

## 1.5 Federal Code Of Regulation (CFR) FCC Part 15 – RADIO FREQUENCY DEVICES

### FCC Compliance Statement

#### 47 CFR Section 15.19

This device complies with part 15 of the FCC Rules. Operation is subject to the following two conditions:

1. This device may not cause harmful interference, and
2. This device must accept any interference received, including interference that may cause undesired operation.

#### 47 CFR Section 15.21

The user is cautioned that any changes or modifications not expressly approved by Renishaw plc or authorised representative could void the user's authority to operate the equipment.

#### 47 CFR Section 15.105

This equipment has been tested and found to comply with the limits for a Class A digital device, pursuant to part 15 of the FCC Rules. These limits are designed to provide reasonable protection against harmful interference when the equipment is operated in a commercial environment.

This equipment generates, uses, and can radiate radio frequency energy and, if not installed and used in accordance with the instruction manual, may cause harmful interference to radio communications. Operation of this equipment in a residential area is likely to cause harmful interference in which case the user will be required to correct the interference at their own expense.

#### 47 CFR Section 15.27

This unit was tested with shielded cables on the peripheral devices. Shielded cables must be used with the unit to ensure compliance.

## Supplier's Declaration of Conformity 47 CFR § 2.1077

Unique Identifier: FORTiS-S

#### Responsible Party – U.S. Contact Information

Renishaw Inc.  
1001 Wesemann Drive  
West Dundee  
Illinois  
IL 60118  
United States  
Telephone number: +1 847 286 9953  
Email: [usa@renishaw.com](mailto:usa@renishaw.com)

## ICES-003 – Information Technology Equipment (including Digital Apparatus)

This ISM device complies with Canadian ICES-003(A).  
Cet appareil ISM est conforme à la norme ICES-003(A).

### 1.6 Intended use

The FORTiS encoder system is designed for metrology in industrial environments, such as machine tools. It must be installed, operated, and maintained as specified in Renishaw documentation and in accordance to the Standard Terms and Conditions of the Warranty and all other relevant legal requirements.

### 1.7 Warnings

In all applications involving the use of machine tools, eye protection is recommended.

## 1.8 Packaging

The packaging of our products contains the following materials and can be recycled.

Packaging components			
Packaging component	Material	ISO 11469	Recycling guidance
Wooden box	Plywood and softwood	Not applicable	Recyclable
Outer box	Cardboard	Not applicable	Recyclable
	Polypropylene	PP	Recyclable
Inserts	Low density polyethylene foam	LDPE	Recyclable
	Cardboard	Not applicable	Recyclable
Bags	High density polyethylene bag	HDPE	Recyclable
	Metalised polyethylene	PE	Recyclable

## 1.9 REACH regulation

Information required by Article 33(1) of Regulation (EC) No. 1907/2006 ("REACH") relating to products containing substances of very high concern (SVHCs) is available at:

[www.renishaw.com/REACH](http://www.renishaw.com/REACH)

## 1.10 Disposal of waste electrical and electronic equipment



The use of this symbol on Renishaw products and/or accompanying documentation indicates that the product should not be mixed with general household waste upon disposal. It is the responsibility of the end user to dispose of this product at a designated collection point for waste electrical and electronic equipment (WEEE) to enable reuse or recycling. Correct disposal of this product will help to save valuable resources and prevent potential negative effects on the environment. For more information, contact your local waste disposal service or Renishaw distributor.

## 1.11 Further information

Further information relating to the FORTiS encoder range can be found in the FORTiS data sheets available from your local Renishaw representative or from our website:

[www.renishaw.com/fortisdownloads](http://www.renishaw.com/fortisdownloads)


See also the data sheets *Cables for FORTiS absolute encoders* (Renishaw part no. L-9517-0069) and *BiSS C-mode (unidirectional) for RESOLUTE and FORTiS encoders* (Renishaw part no. L-9709-9005).

For further details regarding FORTiS enclosed linear encoder variants refer to the following table.

Encoder system description	Part numbers	
	Data sheet	Installation guide
FORTiS-S	L-9517-9934	M-9768-9857
FORTiS-S enclosed encoder system with multiple readheads	Refer to installation guide	M-6725-9176
FORTiS-S functional safety (FS) system	L-9517-9958	M-6725-9016
FORTiS-S functional safety (FS) system with multiple readheads	Refer to installation guide	M-6725-9188
FORTiS-N	L-9517-9946	M-9768-9887
FORTiS-N enclosed encoder system with multiple readheads	Refer to installation guide	M-6725-9200
FORTiS-N functional safety (FS) system	L-9517-9970	M-6725-9026
FORTiS-N functional safety (FS) system with multiple readheads	Refer to installation guide	M-6725-9212



## 2 Definitions

<b>WARNING</b>	A hazard with a medium risk of injury if not avoided
<b>ESD handling</b>	 <p>The ESD Susceptibility Symbol consists of a triangle, a reaching hand, and a slash through the reaching hand. The triangle means “Caution” and the slash through the reaching hand means “Don’t touch”.</p>
<b>Mechanical safe position</b>	The maximum distance the scale might move from its installed position, for example if the fixings work loose.
<b>Evaluation unit</b>	External item of equipment in which the output signal of the encoder is evaluated: for example, machine controller or safety relay.
<b>System manufacturer</b>	Personnel with responsibility for selecting the encoder and verifying its capability is appropriate for the safety-related application.
<b>System installer</b>	Personnel with responsibility for fitting the encoder in the specific application.

## 3 Information for use

- WARNING** Not to be used in environments where there is an explosive atmosphere  
**WARNING** Not to be used by medical devices

The FORTiS-S FS encoder system is designed to be used as part of a safety-related control system as specified by the system manufacturer. It is the responsibility of the system manufacturer to set the evaluation unit to implement the appropriate actions when the FORTiS-S FS encoder system reports an error. The decision to use this system for the intended purpose is the responsibility of the system manufacturer. The FORTiS-S FS encoder system is certified to the SIL and PL levels as shown in the “Functional Safety data declaration” table; however, the system manufacturer must conduct their own assessment of the full system to determine its safety capability.

**Correct use includes:**

- Operating the FORTiS-S FS encoder system within the limits defined in this document.
- Installing the system as described in this document.
- Maintaining the system as described in this document.

**System components covered by this installation guide:**

The FORTiS-S FS encoder system comprises the following parts:

- FORTiS-S FS encoder unit
- Accessories
- Cable
- Extension cable (when required)
- DRIVE-CLiQ interface (when required)

---

**NOTE:** If the original termination supplied with the FORTiS-S FS encoder system is altered or a non-Renishaw cable that is not approved is used, then it is the responsibility of the system manufacturer to make sure the system is compliant with IEC 61800-5-2:2016 *Electromagnetic immunity requirement for safety related systems – Annex E, second environment*.

---

## 4 Functional Safety data declaration

Product identification      FORTiS-S FS with BiSS Safety and  
Siemens DRIVE-CLiQ serial interfaces

### IEC 61508 safety data

<b>Safety integrity level</b>	2	
<b>Random hardware failures (per hour) – BiSS Safety serial interface</b>	$\lambda_s$	= 2.60E-07
	$\lambda_D$	= 4.08E-07
	$\lambda_{DD}$	= 3.67E-07
	$\lambda_{DU}$	= 4.08E-08
<b>Random hardware failures (per hour) – Siemens DRIVE-CLiQ serial interface</b>	$\lambda_s$	= 3.46E-07
	$\lambda_D$	= 6.02E-07
	$\lambda_{DD}$	= 5.42E-07
	$\lambda_{DU}$	= 6.02E-08
<b>PF<sub>D</sub><sub>avg</sub></b>	Not applicable due to continuous demand mode	
<b>PFH (per hour) – BiSS Safety serial interface</b>	$\lambda_{DU}$	= 4.08E-08
<b>PFH (per hour) – Siemens DRIVE-CLiQ serial interface</b>	$\lambda_{DU}$	= 6.02E-08
<b>Architectural constraints</b>	Type	B
	HFT	0
	SFF	94%
<b>Hardware safety integrity compliance</b>	Route 1H	
<b>Systematic safety integrity compliance</b>	Route 1S	
<b>Systematic capability</b>	SC 2	
<b>Demand mode</b>	Continuous	
<b>Proof test interval</b>	Not required for continuous demand mode	

### ISO 13849 safety data

<b>MTTF<sub>D</sub> – BiSS Safety serial interface</b>	292 years
<b>MTTF<sub>D</sub> – Siemens DRIVE-CLiQ serial interface</b>	189 years
<b>Diagnostic coverage</b>	Medium (90%)
<b>Category</b>	3
<b>Performance level</b>	d
<b>Lifetime/replacement limits</b>	20 years

The FORTiS-S FS encoder system provides safe position data that supports the following safety sub-functions defined by IEC 61800-5-2:

- Safe stop 1 (SS1) and Safe stop 2 (SS2) <sup>1</sup>
- Safe operating stop (SOS) <sup>1</sup>
- Safe limited acceleration (SLA) ≤ 200 m/s<sup>2</sup>
- Safe acceleration range (SAR) ≤ 200 m/s<sup>2</sup>
- Safe limited speed (SLS) ≤ 4 m/s
- Safe speed range (SSR) ≤ 4 m/s
- Safely limited position (SLP) <sup>1</sup>
- Safely limited increment (SLI) <sup>1</sup>
- Safe direction (SDI)
- Safe speed monitor (SSM) ≤ 4 m/s

<sup>1</sup> See the safety function restrictions for the safe position figure for each FORTiS-S FS encoder system variant.

## 5 Safety function

The FORTIS-S FS encoder system shall provide a safe position when requested by the evaluation unit.

The following restrictions apply to this claim:

- The system installer must perform a verified commissioning test during installation.
- The system repairer must perform a verified commissioning test following replacement of a system part.
- The maximum request rate supported is 32 kHz and 16 kHz for DRIVE-CLiQ.
- Electrical errors for the BiSS Safety serial interface are detected by the evaluation unit comparing CPW and SPW content. See the data sheet *BiSS Safety for RESOLUTE and FORTiS encoders* (Renishaw part no. L-9517-9884) for more information.
- Electrical errors for the Siemens DRIVE-CLiQ serial interface are detected by the evaluation unit comparing POS1 and POS2 content. See the relevant Siemens AG evaluation unit manual for more information.
- When installed correctly, the FORTiS-S FS encoder system has a mechanical safe position of  $\pm 1$  mm.

### 5.1 Fault exclusions

The following will invalidate the Functional Safety certification of the FORTiS-S FS encoder system:

- Faults caused by cutting and reconnecting the cable or the use of a non-Renishaw cable that is not approved.
- Incorrect installation.
- Dismantling.
- Operating the system outside the limits specified in this installation guide.

### 5.2 Failure modes effects and diagnostics analysis

All diagnosed failure modes are detected immediately except for a position discrepancy between the two measurement methods which is detected within 375  $\mu$ s.

See [section 4](#) on page 10 for a summary of the FMEDA.

---

**NOTE:** For the purposes of the FMEDA calculation the following conditions have been assumed:

**Method:** SN29500-2005-1      **Environment:** Ground mobile      **Temperature:** 60 °C

---

### 5.3 Installation

For the safety function to be valid the instructions detailed in this installation guide must be followed.

### 5.4 Commissioning test

The following test **MUST** be performed when commissioning the FORTiS-S FS encoder system and after any repair or maintenance of the system.

<b>Resolution check</b>	Move the axis by a known distance and confirm that the position changes as expected. The tolerance for raising a fault condition is relative to the safe position determined by the system manufacturer.
-------------------------	--

## 5.5 Evaluation unit monitoring

To achieve full system integrity the evaluation unit must continuously monitor the error condition of each readhead in the FORTiS-S FS encoder system, and in the case of fault detection place the system into a safe state within the process safety time.

---

### NOTES:

1. The evaluation unit must have its Functional Safety functions enabled (as often it is a configuration parameter to turn on Functional Safety functionality) and must respond correctly to a FORTiS-S FS encoder system position error flag.
  2. A persistent fault condition may indicate a hardware failure of the FORTiS-S FS encoder system or an installation problem.
- 

## 5.6 Maintenance

The maintenance check intervals will be defined by the system manufacturer according to their risk assessment. There are no user-serviceable parts within the FORTiS-S FS encoder system.

The following maintenance actions are advised:

- Check the extrusion screws and readhead retaining screws are correctly tightened.
- Check for worn or damaged cables and connectors.
- Check the cable connectors are correctly tightened/located.
- Check the air supply fitting is correctly tightened and the air hose is correctly fitted.
- When the DRIVE-CLiQ interface is used check the retaining screws are correctly tightened.

## 5.7 Repair

- Repair of the FORTiS-S FS encoder system is only by replacement of parts.
- The replacement parts must have the same part number as the original parts.
- The repaired encoder system must be installed and commissioned in accordance with “Commissioning test” on page 11.
- In the event of failure the affected parts should be returned to Renishaw for further analysis.
- Using damaged parts invalidates the Functional Safety certification.

## 5.8 Proof testing

It is the responsibility of the system manufacturer to define any proof testing of the system. Due to the diagnostic coverage (DC) and safe failure fraction (SFF) required to achieve SIL2, the encoder can only support continuous demand use.

## 6 Certification

### FORTiS-S FS encoder system

#### Functional Safety Certificate No. FSC003



Under the terms of CSA SIRA Functional Safety Certificate SIRA CASS00023/02, for the management and self-certification of functional safety activities up to SIL3/PLd.

Renishaw plc declares that the products listed by this installation guide meet the requirements of:

- IEC 61508-1:2010, IEC 61508-2:2010 and IEC 61508-3:2010
- IEC 61800-5-2:2016
- ISO 13849-1:2015 and ISO 13849-2:2012

when used as an element/subsystem in safety-related systems performing safety functions requiring up to and including:

- SIL2 with HFT = 0 (1001)
- Category 3, PLd.

## 7 Summary of EU declaration of conformity EUD 2021-00819

EU based person authorised to compile the technical file: Renishaw (Ireland) DAC, Swords Business Park, Swords, Co. Dublin, K67 FX67, Ireland.

This declaration of conformity is issued under the sole responsibility of the manufacturer, Renishaw plc. The object of the declaration is identified below:

Product name:	FORTiS-S™ FS and FORTiS-N™ FS enclosed encoder system	
Description:	Enclosed linear FS readhead and scale assembly	
Part no.:	Valid from:	Description:
FS1-----S----	-02	FORTiS-S™ FS standard size enclosed linear encoders
FN1-----S----	-02	FORTiS-N™ FS narrow size enclosed linear encoders

The object of the declaration described above is in conformity with all relevant EU harmonisation legislation and fulfils all the relevant provisions with EU directives:

2006/42/EC	Machinery Directive
2014/30/EU	Electromagnetic Compatibility (EMC)
2011/65/EU	On the restriction of the use of certain hazardous substances in electrical and electronic equipment – RoHS

and complies with the following technical standards:

EN ISO 12100:2010	Safety of machinery – General principles for design – Risk assessment and risk reduction
EN ISO 13849-1:2015	Safety of machinery – Safety-related parts of control systems Part 1: General principles for design (ISO 13849-1:2015)
EN ISO 13849-2:2012	Safety of machinery – Safety-related parts of control systems Part 2: Validation (ISO 13849-2:2012)
EN 61326-1:2013	Electrical equipment for measurement, control, and laboratory use. EMC requirements Part 1: General requirements
EN 62471:2008	Photobiological safety of lamps and lamp systems
EN IEC 63000:2018	Technical documentation for the assessment of electrical and electronic products with respect to the restriction of hazardous substances

For the full Declaration of Conformity EUD 2021-00819 see:

[www.renishaw.com/productcompliance](http://www.renishaw.com/productcompliance)

## 8 Summary of UK declaration of conformity UKD 2021-00819

This declaration of conformity is issued under the sole responsibility of the manufacturer, Renishaw plc. The object of the declaration is identified below:

Product name:	FORTiS-S™ FS and FORTiS-N™ FS enclosed encoder system	
Description:	Enclosed linear FS readhead and scale assembly	
Part no.:	Valid from:	Description:
FS1-----S----	-02	FORTiS-S™ FS standard size enclosed linear encoders
FN1-----S----	-02	FORTiS-N™ FS narrow size enclosed linear encoders

The object of the declaration described above is in conformity with all relevant UK Statutory Instruments (and their amendments):

S.I. 2008 No. 1597	Supply of Machinery (Safety) Regulations 2008
S.I. 2016 No. 1091	Electromagnetic Compatibility Regulations 2016
S.I. 2012 No. 3032	The Restriction of the Use of Certain Hazardous Substances in Electrical and Electronic Equipment Regulations 2012 – RoHS

and complies with the following technical standards:

EN ISO 12100:2010	Safety of machinery – General principles for design – Risk assessment and risk reduction
EN ISO 13849-1:2015	Safety of machinery – Safety-related parts of control systems Part 1: General principles for design (ISO 13849-1:2015)
EN ISO 13849-2:2012	Safety of machinery – Safety-related parts of control systems Part 2: Validation (ISO 13849-2:2012)
EN 61326-1:2013	Electrical equipment for measurement, control, and laboratory use EMC requirements Part 1: General requirements
EN 62471:2008	Photobiological safety of lamps and lamp systems
EN IEC 63000:2018	Technical documentation for the assessment of electrical and electronic products with respect to the restriction of hazardous substances

For the full declaration of conformity UKD 2021-00819 see:

[www.renishaw.com/productcompliance](http://www.renishaw.com/productcompliance)

## 9 Overview of the FORTiS-S FS encoder system







This system is an enclosed linear optical encoder designed for use in harsh industrial environments where high-precision feedback and metrology are required. Based upon Renishaw's award-winning absolute technology, the rugged non-contact design has no internal moving parts, such as bearings or wheeled readhead carriages, thus improving the overall reliability. Additionally, hysteresis and backlash errors associated with mechanical contact system designs are reduced.

In addition to enhanced breakage resistance, the robust steel scale has a coefficient of thermal expansion similar to the base material used in the majority of machines, reducing errors due to thermal effects whilst increasing measurement certainty.








Renishaw's patented set-up LED provides instant verification of the encoder's signal strength and therefore its accurate alignment. This intuitive procedure eliminates the need for additional peripheral diagnostics equipment during installation. When combined with Renishaw's carefully designed installation accessories, these unique tools make installation easier and faster compared to traditional methods, whilst building confidence in a right-first-time installation.

## 10 Parts list

### 10.1 Included in the box

Item		Description
	<b>FORTiS-S FS encoder unit</b>	The FORTiS-S FS enclosed encoder system
	<b>37 mm readhead setting shim</b>	Plastic shim to be used as an installation aid
	<b>Air connection fitting</b>	To enable connection to one of the encoder air purge inlets
	<b>Cable connection wrench</b>	Used for securely connecting the encoder cable to the readhead
	<b>Alignment brackets</b>	Two brackets to secure the readhead during transit and set the correct readhead alignment during installation  <b>IMPORTANT:</b> Retain until installation is complete
	<b>FORTiS-S FS quality inspection certificate</b>	Certifies specific encoder performance and provides traceability
	<b>Yellow Functional Safety card</b>	Shows the web address for accessing the installation guide
	Siemens DRIVE-CLiQ interface	Included with Siemens-only versions of FORTiS (see <a href="#">section 16.4</a> on page 41)

## 10.2 Not included / required tools

Item		Description
	<b>5 mm torque wrench</b>	To tighten the extrusion and the readhead mounting screws
	<b>1.5 mm hex key</b>	Air bung removal (only if air purge is required)
	<b>4 mm hex key</b>	For locking the mounting aid For use with the M5 extrusion and M5 readhead screw options
	<b>5 mm hex key</b>	For use with the M6 extrusion and M6 readhead screw options
	<b>M6 screws</b>	2 × M6 × 1.0 screws length ≥ 35 mm for mounting the readhead M6 × 1.0 screws length ≥ 20 mm for mounting the extrusion to the machine bed (see table in <a href="#">section 12.5</a> on page 22 for required quantity)
	<b>Loctite 243</b>	All fastenings (except air bung and cable connection) should be secured with Loctite 243
	<b>Loctite 222</b>	If an air bung requires replacement or repositioning it should be secured with Loctite 222. The cable connector should also be secured with Loctite 222.



## 10.3 Optional extras

### 10.3.1 Mounting aid (Renishaw part no. A-9768-3580)

Optional installation aid to assist with mounting the readhead to a machine slideway that has more than one degree of freedom (see [section 15.4](#) on page 31).








### 10.3.2 Captive nuts (Renishaw part no. A-9768-2248)

Optional fastening method for mounting the readhead to the bracket. It allows bolts to be screwed into the readhead rather than the bracket.



## 10.4 Cable options (cables not included)

Further information relating to cables for the FORTiS encoder range can be found in the data sheet *Cables for FORTiS absolute encoders* (Renishaw part no. L-9517-0069). This can be downloaded from our website [www.renishaw.com/fortisdownloads](http://www.renishaw.com/fortisdownloads) and is also available from your local Renishaw representative.

Item		Description
	<b>Encoder cable type A</b>	OD: 4.7 mm, 28 AWG, 7 core, single screen, black jacket Length options: 0.5 m, 1 m, 3 m, 6 m, 9 m
	<b>Encoder cable type B</b>	OD: 6.3 mm, 23 AWG, 6 core (3 × twisted pairs), single screen, green jacket Length options: 0.5 m, 1 m, 3 m, 6 m, 9 m
	<b>Encoder cable type D</b>	Armoured: OD 10 mm, 28 AWG, 7 core Length options: 1 m, 3 m, 6 m, 9 m
	<b>Extension cable type B</b>	OD: 6.3 mm, 23 AWG, 6 core (3 × twisted pairs), single screen, green jacket Length options: 1 m, 3 m, 6 m, 9 m, 15 m, 20 m
	<b>Extension cable type C</b>	OD: 7.8 mm, 2 × 20 AWG (power), 4 × 23 AWG (signal), 2 × 28 AWG (sense), single screen, green jacket Unterminated lengths available up to 100 m

### 10.4.1 FORTiS connector

All encoder cables include a custom FORTiS connector that connects to the readhead. The connector is covered with a protective cap with an integrated clip; this clip can be used to assist with cable routing.

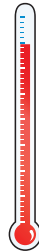


# 11 Storage and handling

**IMPORTANT:** Handle carefully to avoid damage to the location faces when unpacking and installing.

## Storage temperature

-20 °C to +70 °C

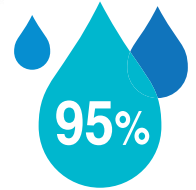


## Operating temperature

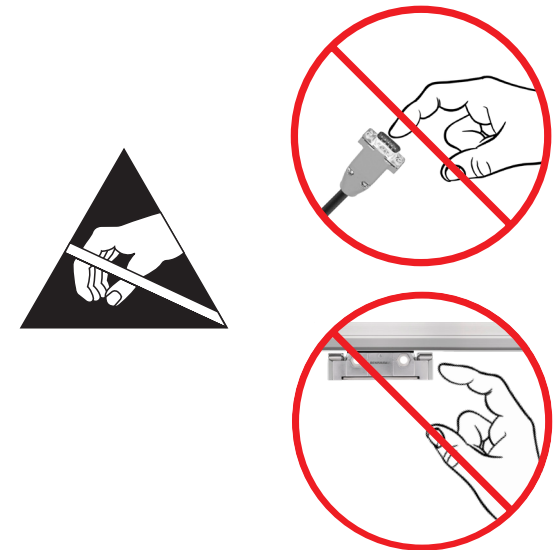
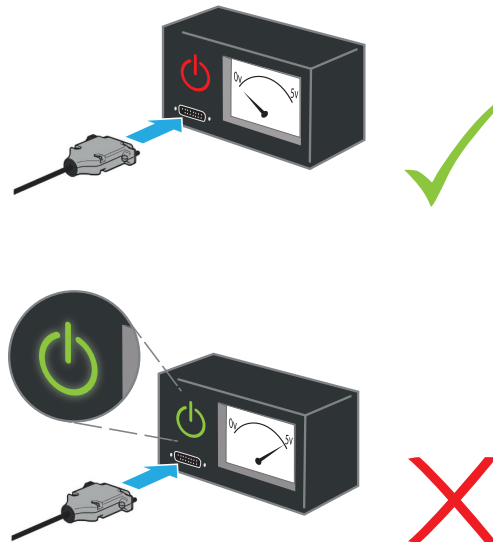
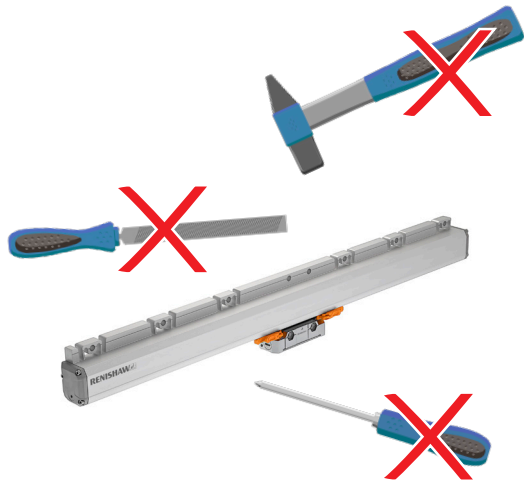
0 °C to +50 °C



95% relative humidity (non-condensing)  
to IEC 60068-2-78



## Handling instructions



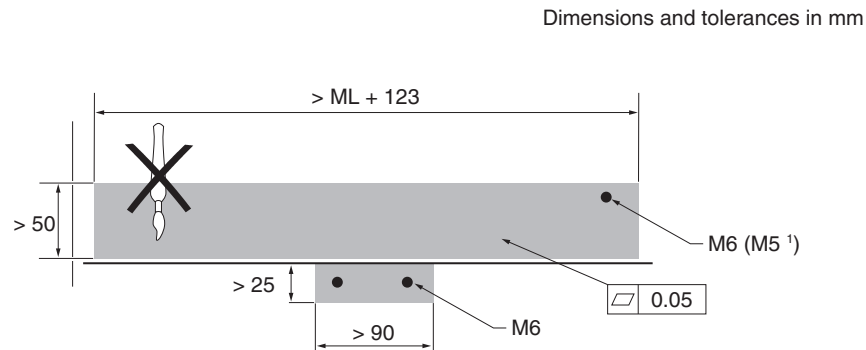
## 12 Installation drawings

### 12.1 Mounting surface preparation

To ensure correct operation, the mounting surface should be prepared as follows:

- surface flatness requirement of 0.05 mm/m
- surface should be free of paint and burrs
- refer to installation drawing for required mounting hole positions (see [section 12.4](#) on page 21).

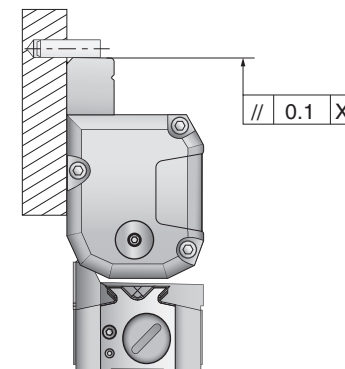
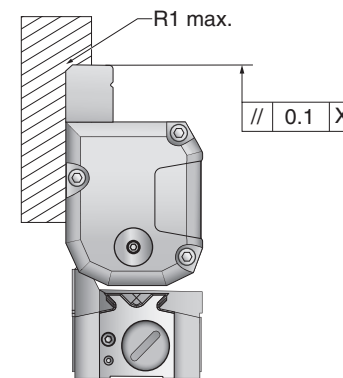
To further simplify and help reduce installation time, it is recommended that the machine axis to which the encoder is to be mounted is prepared with a datum edge or aligned dowel pins to help locate the edge of the extrusion and ensure parallelism to the axis of motion.



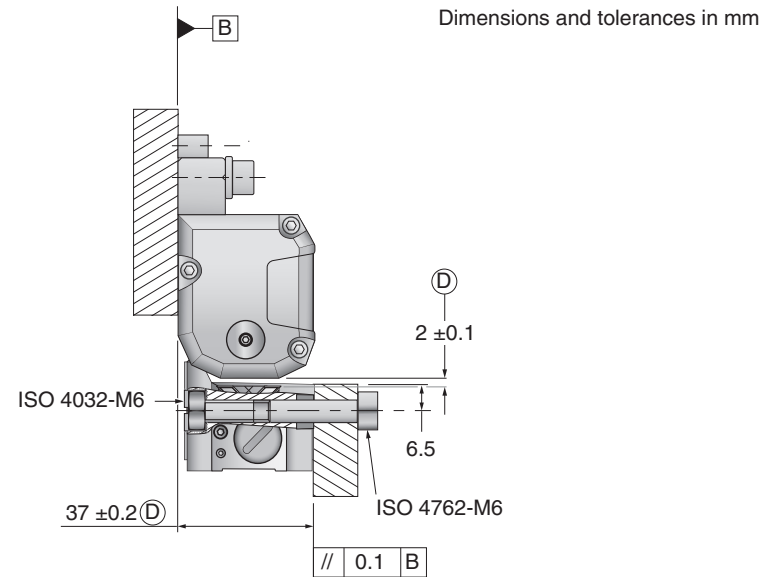
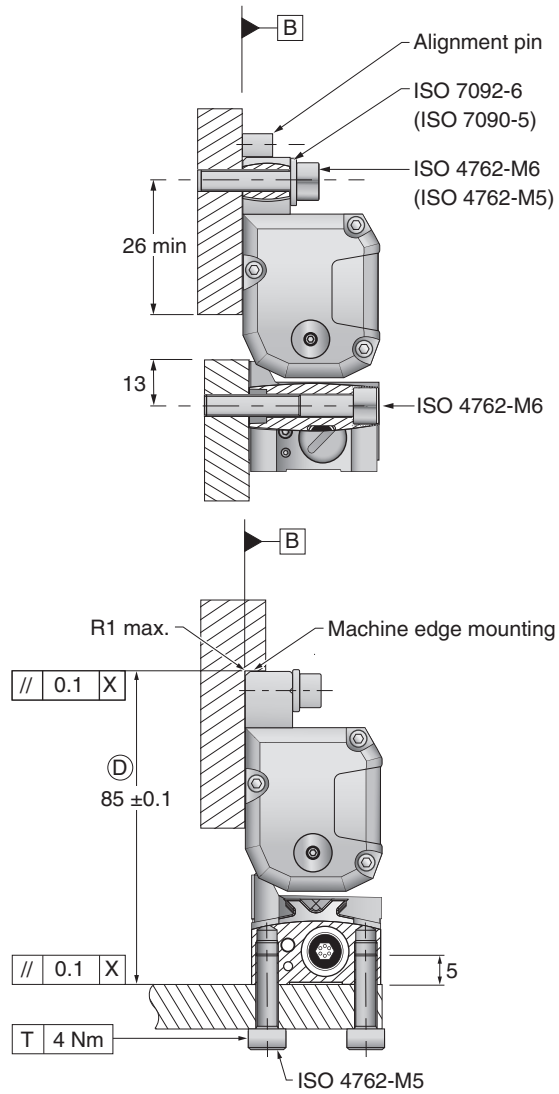
<sup>1</sup> Permissible alternative screw size.

### 12.2 Location edge or dowel pins

Dimensions and tolerances in mm



## 12.3 Mounting orientations



### KEY

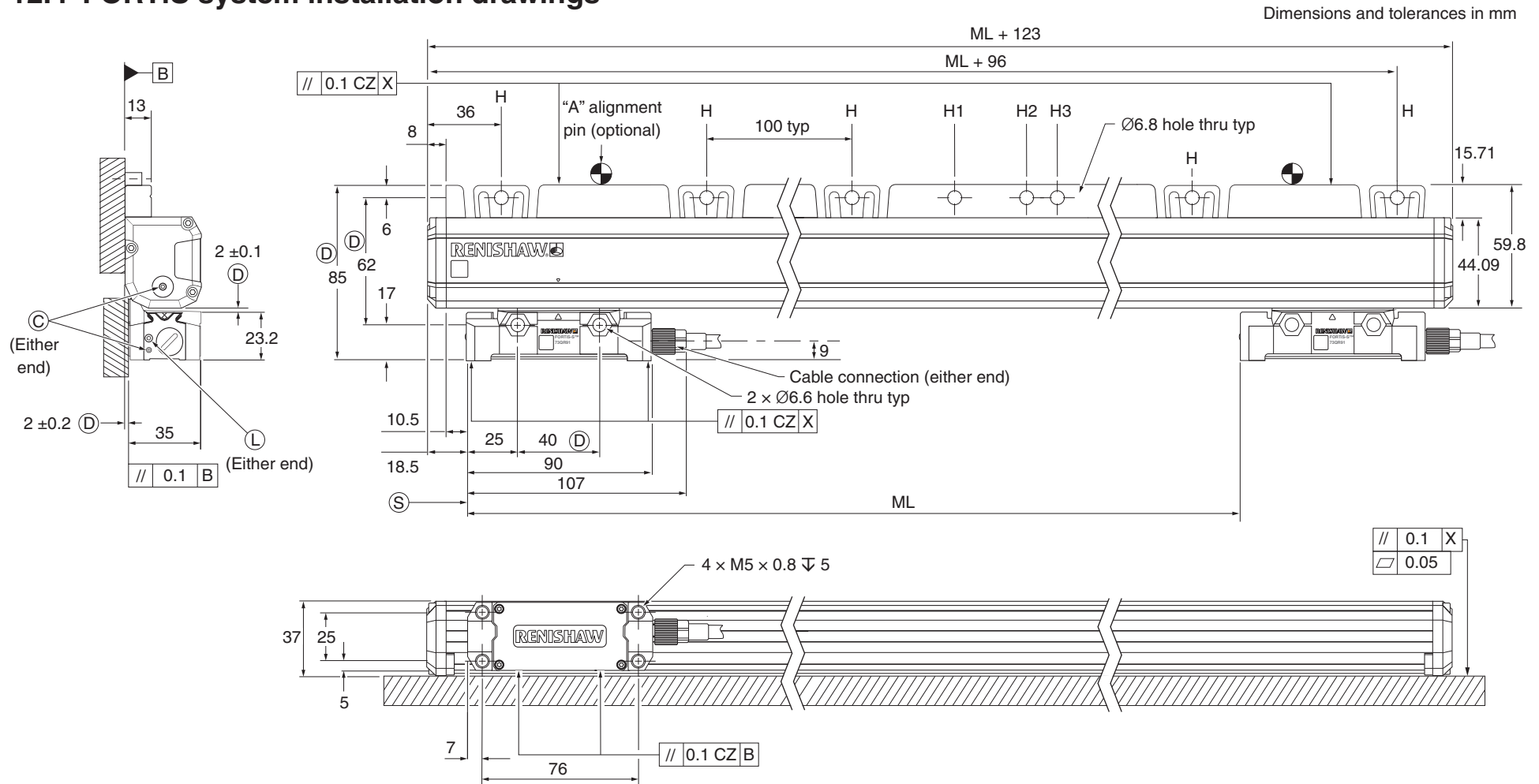
D = Required mounting dimensions

X = Machine guideway/axis datum

### NOTES:

1. Side elevations show alternative mounting orientations.
2. Screws sizes in brackets are permissible alternatives.

## 12.4 FORTiS system installation drawings



### KEY

A = Recommended extrusion alignment pin locations (if required)

Adjacent to first and last flexure holes plus every 300–500 mm

C = Compressed air inlet fitting

D = Required mounting dimensions

H = Flexure mounting holes

H1 = Fixed mounting hole (preferred)

H2 and H3 = Alternative mounting holes (non-preferred)

L = LED set-up illumination

ML = Measuring length

S = Start of measuring length

X = Machine guideway/axis datum

## 12.5 Mounting holes positions table

Measuring length	Overall length	Recommended thermal datum	Non-preferred thermal datum <sup>1</sup>			Flexure holes, H every 100 mm			
		Static hole H1	Static hole H2	Static hole H3	First flexure hole	Missing flexure hole	Last flexure hole	QTY of flexure holes	
140	263	136	171	-	36	136	236	2	
240	363	186	221	236	36	236	336	3	
340	463	236	271	-	36	236	436	4	
440 (shown)	563	286	321	336	36	336	536	5	
540	663	336	371	-	36	336	636	6	
640	763	386	421	436	36	436	736	7	
740	863	436	471	-	36	436	836	8	
840	963	486	521	536	36	536	936	9	
940	1063	536	571	-	36	536	1036	10	
1040	1163	586	621	636	36	636	1136	11	
1140	1263	636	671	-	36	636	1236	12	
1240	1363	686	721	736	36	736	1336	13	
1340	1463	736	771	-	36	736	1436	14	
1440	1563	786	821	836	36	836	1536	15	
1540	1663	836	871	-	36	836	1636	16	
1640	1763	886	921	936	36	936	1736	17	
1740	1863	936	971	-	36	936	1836	18	
1840	1963	986	1021	1036	36	1036	1936	19	
2040	2163	1086	1121	1136	36	1136	2136	21	
2240	2363	1186	1221	1236	36	1236	2336	23	
2440	2563	1286	1321	1336	36	1336	2536	25	
2640	2763	1386	1421	1436	36	1436	2736	27	
2840	2963	1486	1521	1536	36	1536	2936	29	

<sup>1</sup> The non-preferred thermal datum holes are only included to provide bolt-hole compatibility with old, obsolete encoders. New machines should be designed to use the recommended thermal datum only.

## Product specification (continued)

Measuring length	Overall length	Recommended thermal datum	Non-preferred thermal datum <sup>1</sup>			Flexure holes, H every 100 mm			
		Static hole H1	Static hole H2	Static hole H3	First flexure hole	Missing flexure hole	Last flexure hole	QTY of flexure holes	
3040	3163	1586	1621	1636	36	1636	3136	31	
3240	3363	1686	1721	1736	36	1736	3336	33	
3440	3563	1786	1821	1836	36	1836	3536	35	
3640	3763	1886	1921	1936	36	1936	3736	37	
3840	3963	1986	2021	2036	36	2036	3936	39	
4040	4163	2086	2121	2136	36	2136	4136	41	
4240	4363	2186	2221	2236	36	2236	4336	43	

<sup>1</sup> The non-preferred thermal datum holes are only included to provide bolt-hole compatibility with old, obsolete encoders. New machines should be designed to use the recommended thermal datum only.

## 13 Product specification

<b>Measuring standard</b>	Renishaw stainless-steel scale with single track absolute encoding
<b>Coefficient of thermal expansion</b> (at 20 °C)	10.1 ±0.2 µm/m/°C
<b>Thermal datum</b>	At centre position (encoder position of 0.5 × measuring length)
<b>Measuring lengths available (mm)</b>	140, 240, 340, 440, 540, 640, 740, 840, 940, 1040, 1140, 1240, 1340, 1440, 1540, 1640, 1740, 1840, 2040, 2240, 2440, 2640, 2840, 3040, 3240, 3440, 3640, 3840, 4040, 4240
<b>Accuracy grades</b>	High grade: ≤ ±3 µm (available in lengths up to 3040 mm only) Standard grade: ≤ ±5 µm
<b>Resolution <sup>1</sup></b>	1 nm, 10 nm, 50 nm
<b>Sub-Divisional Error (typical)</b>	±40 nm
<b>Jitter (RMS)</b>	10 nm
<b>Absolute position serial interface</b>	BiSS Safety Siemens DRIVE-CLiQ (with external interface)
<b>Encoder electrical connection</b>	Cable connector M12 custom (customer configurable exit direction)
<b>Controller electrical connection</b>	8-way M12, 9-way D-Type, flying lead
<b>Cable length</b>	See <a href="#">section 16.2</a> on page <a href="#">37</a>
<b>Power supply</b>	See <a href="#">section 16.3</a> on page <a href="#">39</a> and <a href="#">section 16.4</a> on page <a href="#">41</a>
<b>Set-up LED</b>	See <a href="#">section 15.6</a> on page <a href="#">34</a>

### <sup>1</sup> Resolution per accuracy grade and serial interface – standard options

Accuracy grade	Serial interface	Resolution
3 µm	BiSS Safety, Siemens DRIVE-CLiQ	1 nm
5 µm	BiSS Safety, Siemens DRIVE-CLiQ	10 nm
		50 nm

<b>Maximum speed</b>	4 m/s
<b>Acceleration</b> (readhead relative to scale)	< 200 m/s <sup>2</sup> in measuring direction
<b>Moving force</b> (maximum force required to move the readhead through the seals)	< 5 N
<b>Vibration</b> (55 Hz to 2 000 Hz)	Housing: < 300 m/s <sup>2</sup> to IEC 60068-2-6 Readhead: < 300 m/s <sup>2</sup> to IEC 60068-2-6
<b>Shock 11 ms half-sine</b>	< 300 m/s <sup>2</sup> IEC 60068-2-27
<b>Operating temperature</b>	0 °C to 50 °C
<b>Storage temperature</b>	–20 °C to 70 °C
<b>Environment protection</b>	IP53 when installed correctly, IP64 with air purge Protection class III Pollution degree II Altitude 2000 m
<b>EMC immunity</b>	IEC 61800-5-2:2016 <i>Electromagnetic immunity requirement for safety related systems – Annex E, second environment</i>
<b>Air purge requirements</b>	Air supply pressure = 1 bar at encoder At correct supply pressure the supplied air connection fitting restricts the air flow rate to 2 l/min Air quality: see <a href="#">section 15.7</a> on page <a href="#">35</a> for details
<b>Weight</b>	0.27 kg + 2.0 kg/m

**IMPORTANT:** Specifications are subject to the correct installation procedures as set out in this installation guide. If in doubt, contact your local Renishaw representative.

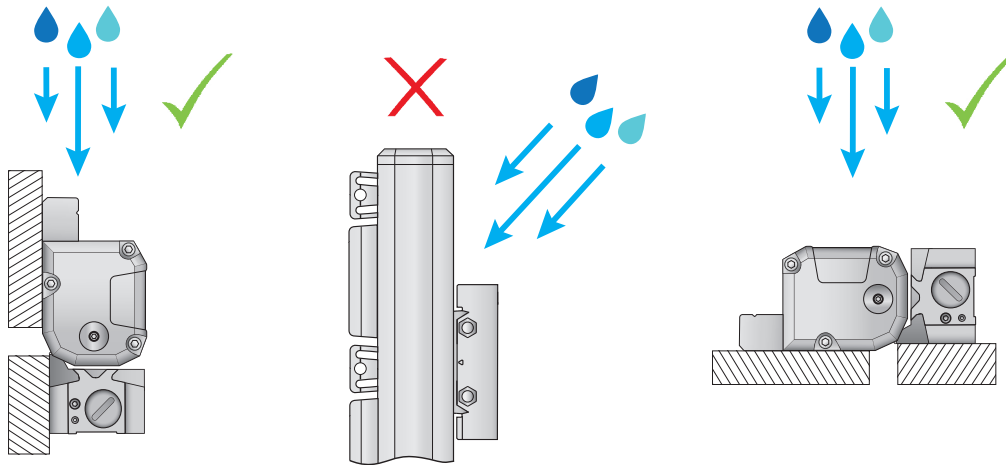


## 14 Installation procedure – extrusion

### 14.1 Protection for sealed linear encoders

IP53 requires installation with sealing lips positioned away from splash water in accordance with EN 60529/IEC 60529.

For ingress protection to IP64, please see [section 15.7](#) on page 35.

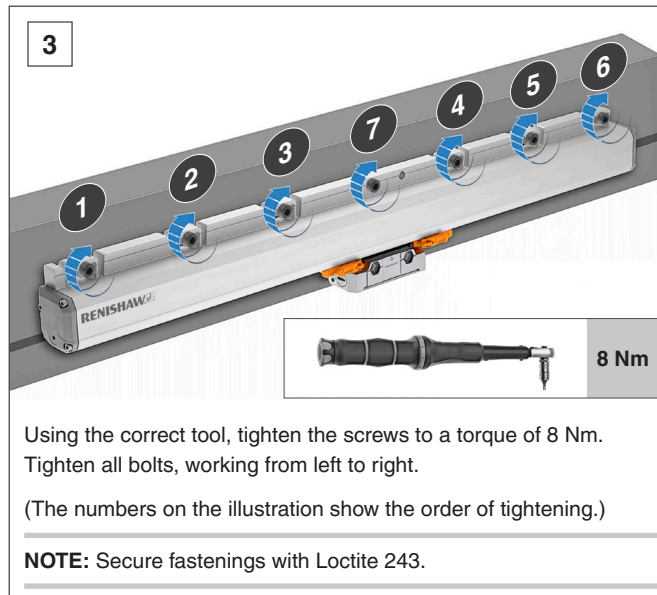
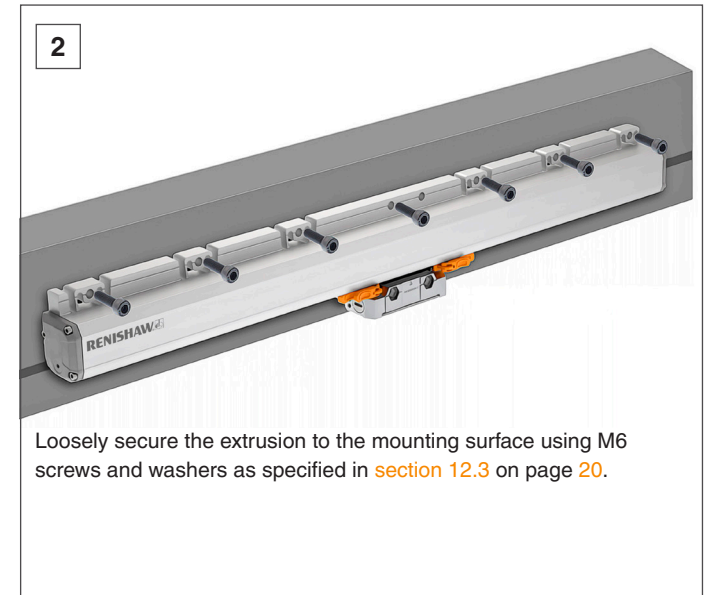
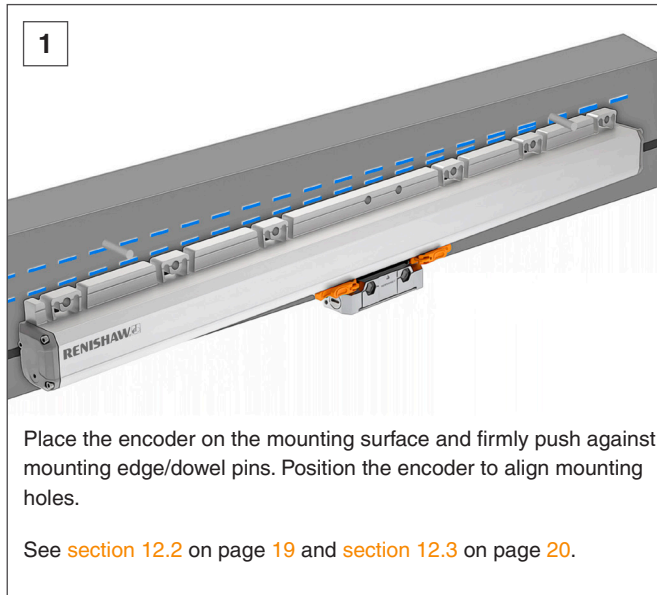


## 14.2 Fitment – general

Please note that fitment of the extrusion is independent of readhead mounting. For illustrative purposes dowel pins are displayed, but the procedure for a datum edge is identical. Where neither an edge or dowel pins are available, begin by aligning extrusion mounting holes.<sup>1</sup>

Ensure the mounting faces are clean before installation.

<sup>1</sup> If a suitable reference edge or dowel pins are not available then we recommend that the extrusion is checked against a dial gauge to ensure parallelism to the machine axis.



## 15 Installation procedure – readhead

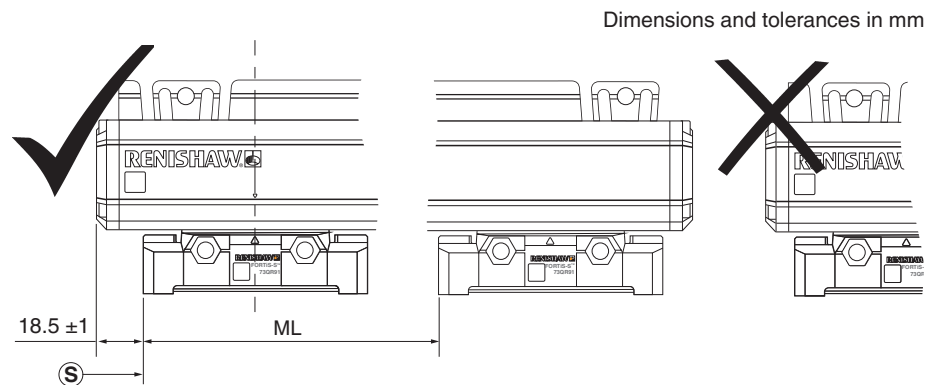
Three different methods may be used to install the readhead, making installation easier for a wide range of machine types and mounting surfaces. These are outlined in the following sections.

**NOTE:** Installation of the extrusion follows the procedure outlined in [section 14](#) on page 25 and is independent of the readhead installation method being used.

### 15.1 Measuring length

The start of the measuring length (ML) is indicated by the triangular marking on the extrusion; a corresponding arrow on the readhead should be aligned to this arrow to ensure the readhead is within the encoder measuring length.

#### 15.1.1 Start of measuring length



#### KEY

ML = Measuring length

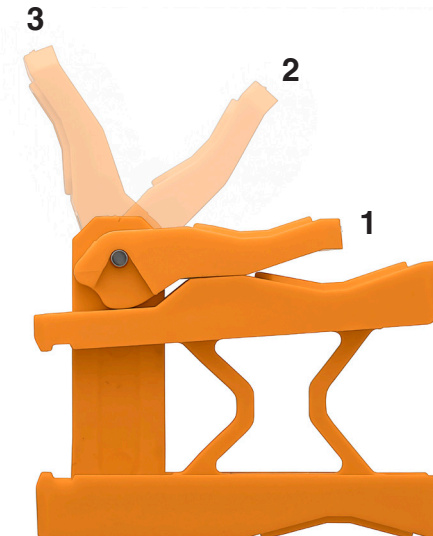
S = Start of measuring length

**WARNING:** Failure to ensure the readhead is within the measuring length of the encoder could lead to a collision and damage.

### 15.2 Alignment bracket method

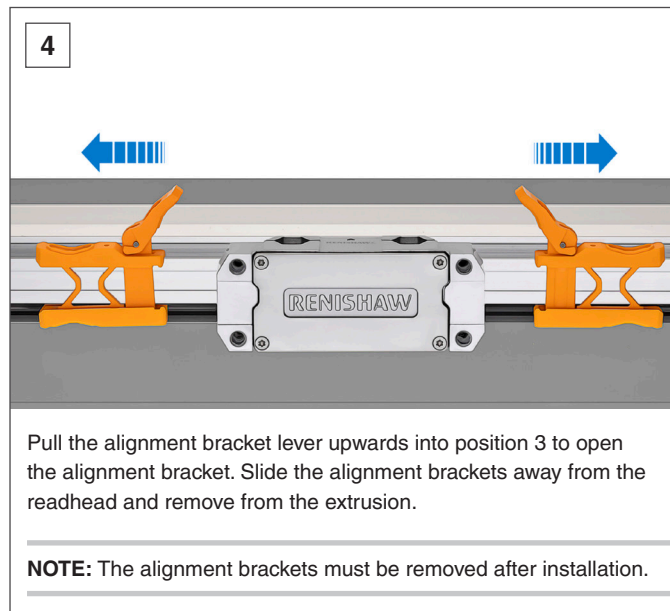
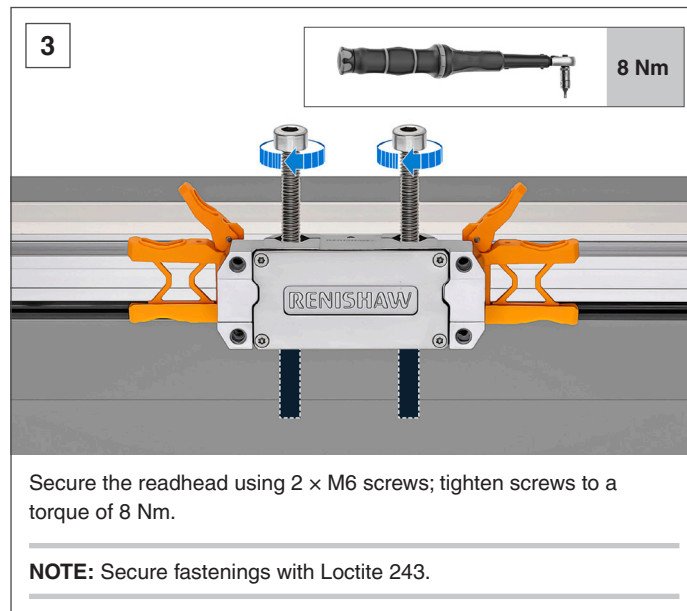
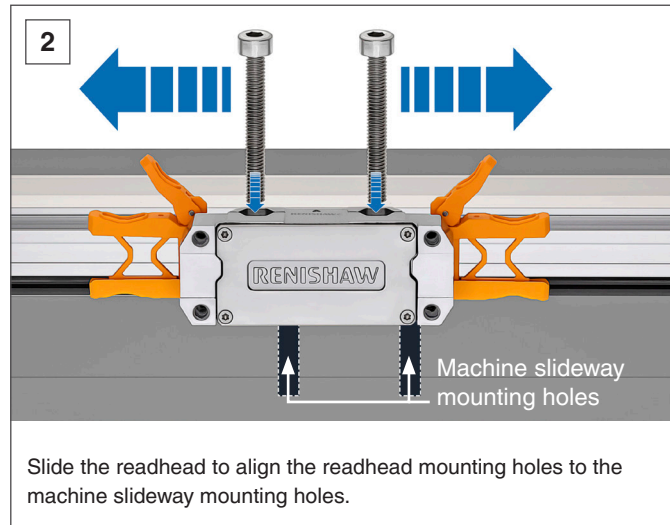
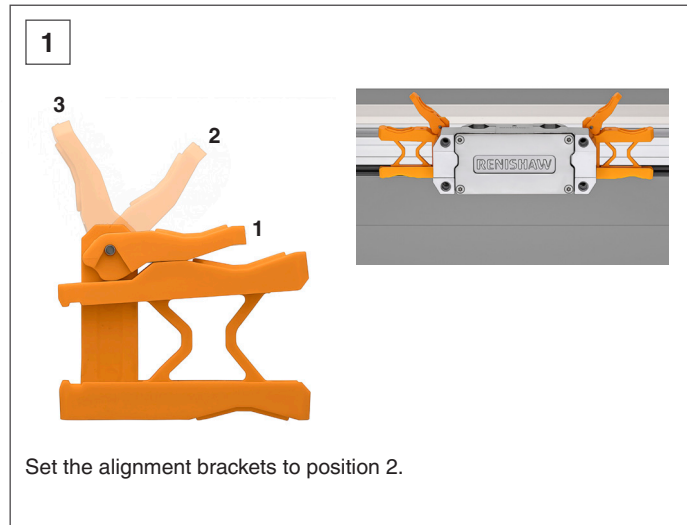
Pre-fitted alignment brackets help protect and secure the readhead to the extrusion during transit. These alignment brackets can also be used to set the readhead at the nominal installation rideheight.

The alignment brackets have three different operating positions which are detailed in the table below.



Position	Status	Description
1	Closed	Alignment bracket locks the readhead to the extrusion for transit
2	Semi-open	Readhead can be moved along the extrusion for alignment purposes, whilst maintaining optimum rideheight
3	Open	Alignment bracket can be removed from the extrusion after installation

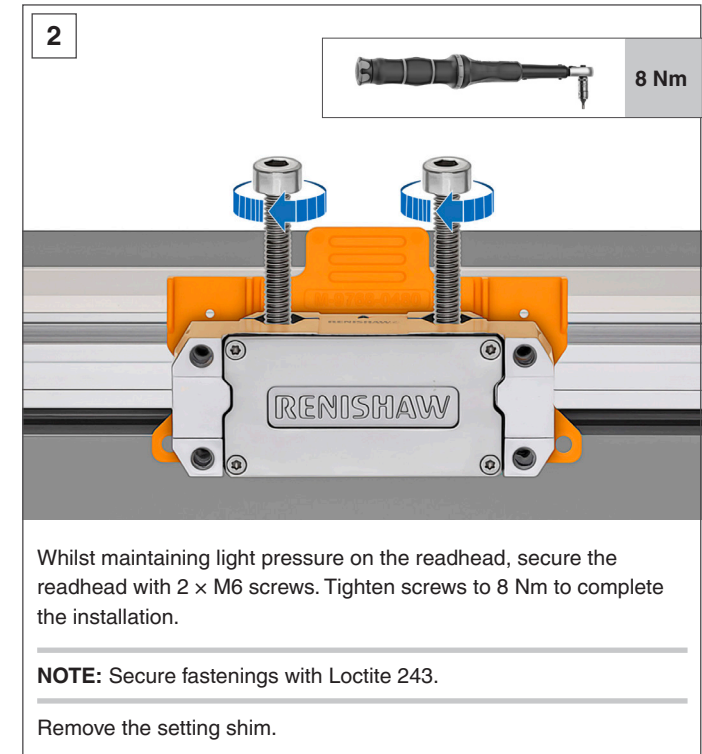
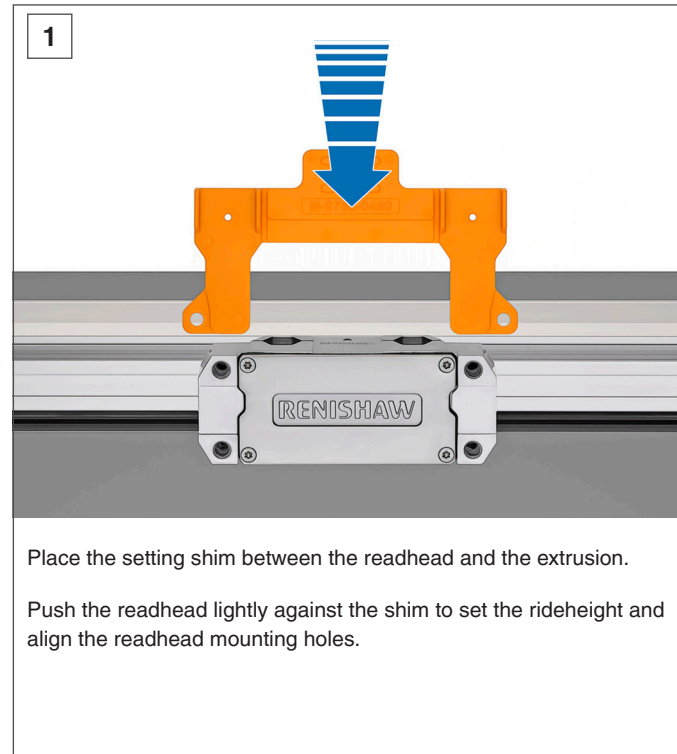
## 15.2.1 Installation using the alignment bracket method



## 15.3 Set-up shim method 15.3.1 Front setting shim procedure

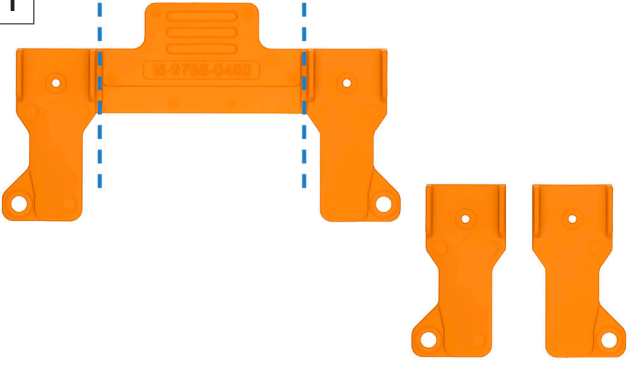
When using this method, remove the alignment brackets (see [section 15.2.1](#) on page 28) just prior to installation.

Where access to the readhead from either side is restricted in the installation position, a setting shim can be used instead of the alignment brackets to ensure correct positioning of the readhead relative to the extrusion. The shim is easily inserted between the readhead and encoder extrusion.




### 15.3.2 Side setting shim procedure

1



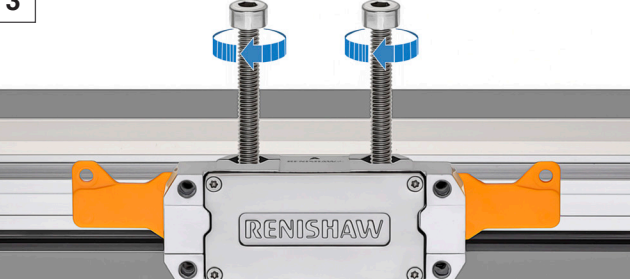
Snap the shim to detach the two end section parts as shown above.

2



Place a section of the separated shim parts at either side of the readhead.

3



Whilst maintaining light pressure on the readhead, secure the readhead with 2 × M6 screws, tighten screws to 8 Nm to complete installation.

**NOTE:** Secure fastenings with Loctite 243.

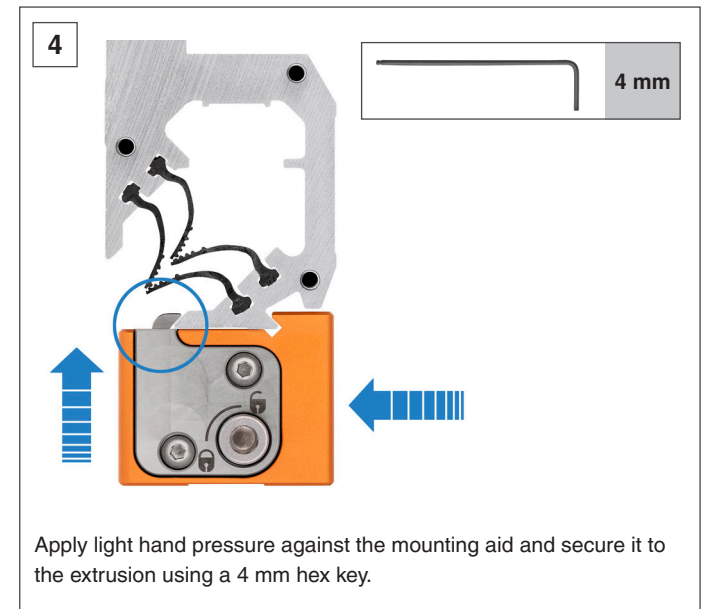
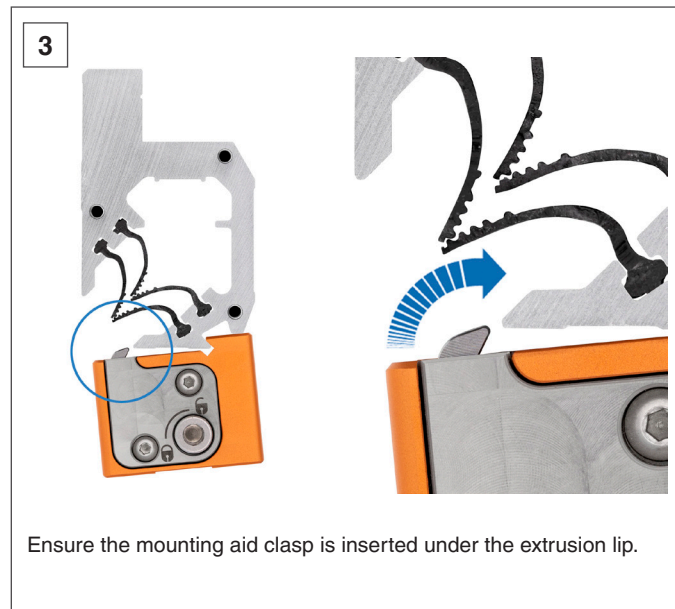
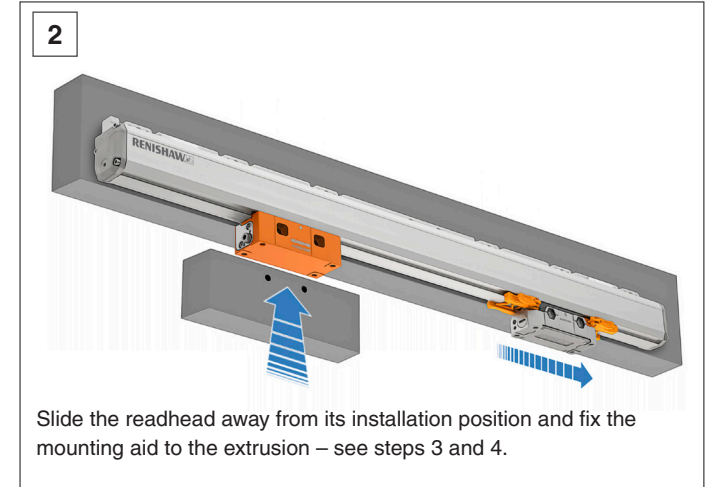
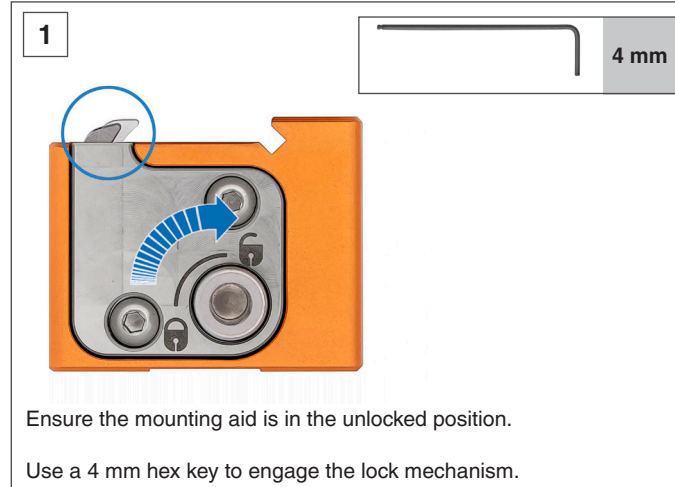
Remove the setting shim parts.

## 15.4 Installation using the mounting aid method

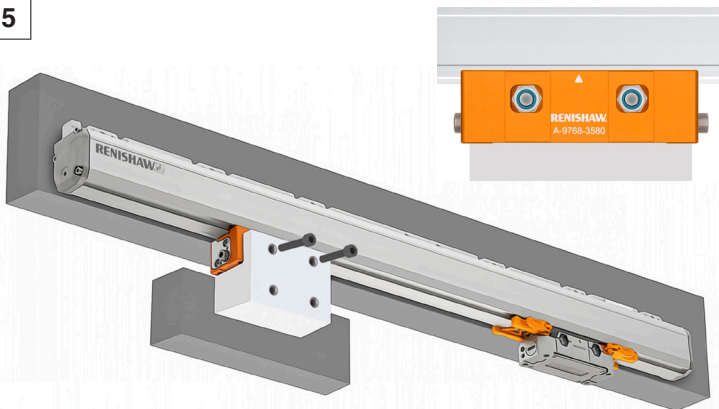
**NOTE:** 37 mm mounting aid and 4 mm hex key required.

Remove the alignment brackets prior to installation using the mounting aid.

When mounting a readhead to a machine slideway via an unconstrained bracket, an installation mounting aid can be used to accurately position, secure and fit the bracket to the slideway. The mounting aid clamps securely to the extrusion, allowing any machine slideway to be adjusted and secured horizontally in the correct location before readhead mounting.

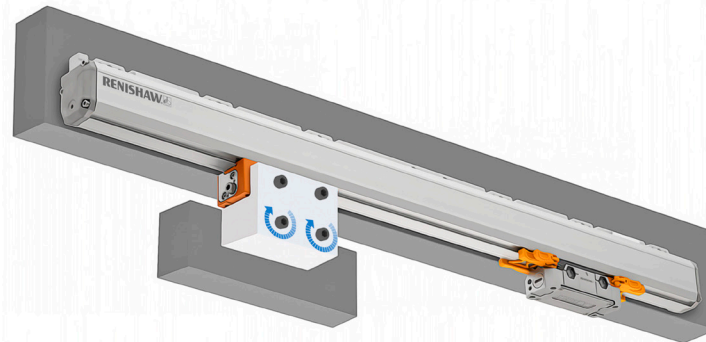


5



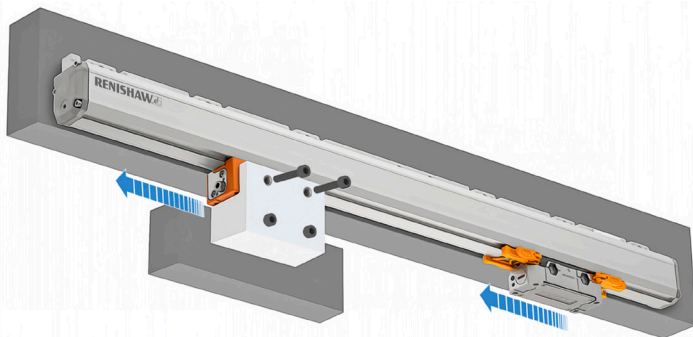
Align the readhead bracket with mounting aid and secure using screws and nuts.

6



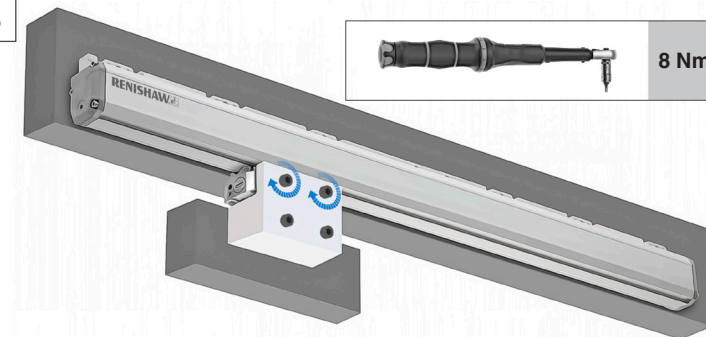
Align the axis slideway with the readhead bracket and secure using M6 screws.

7



Remove the screws and nuts from the mounting aid, unlock and remove from the extrusion.

8



Align the readhead with the readhead mounting bracket and secure with M6 screws and nuts.

Using the correct tool, tighten the screws to a torque of 8 Nm.

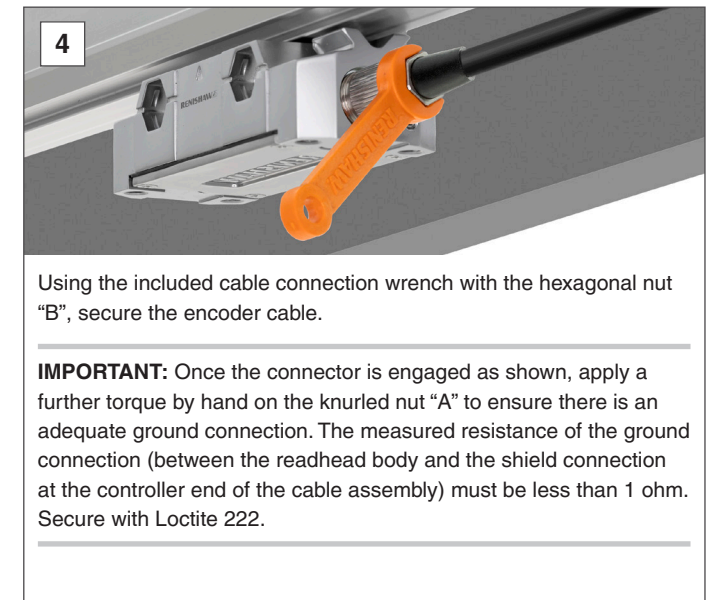
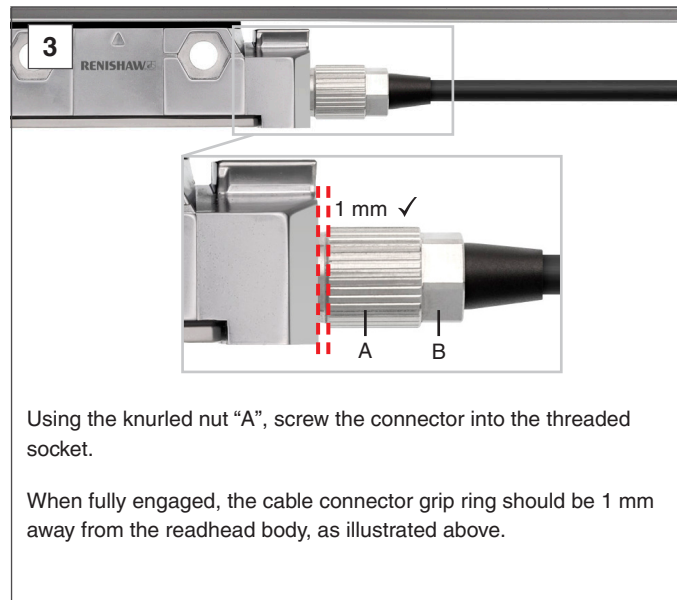
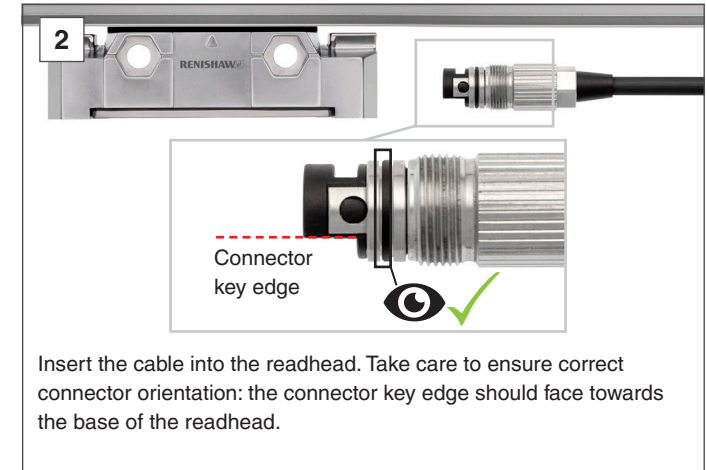
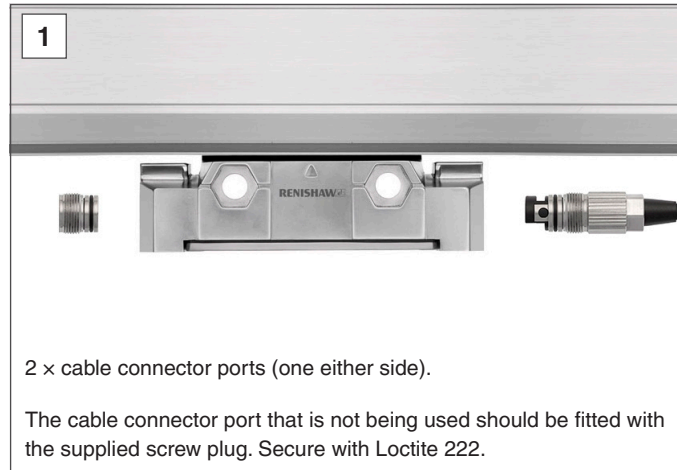
**NOTE:** Secure fastenings with Loctite 243.



## 15.5 FORTiS cable connection

To assist with cable management the FORTiS-S system has two cable entry ports, allowing the cable to be inserted into either side of the readhead.

**NOTE:** Cable connection thread should be secured with Loctite 222.



## 15.6 Validating an installation


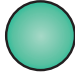


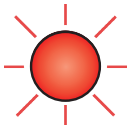
To validate the encoder installation the set-up LED provides instant verification of the encoder's signal strength and therefore its accurate alignment and installation.

The encoder requires power to enable the set-up LED; this can be via an appropriate cable plugged into the machine's controller. See [section 16](#) on page 36 for encoder power supply requirements.

---

**NOTE:** If the set-up LED is obscured then the signal strength can be obtained using the Advanced Diagnostic Tool for absolute encoders (ADTa-100).

---

LED status	Description	Required action
 <b>BLUE</b>	Signal level is optimal	No adjustment required
 <b>GREEN</b>	Signal level is good	No adjustment required
 <b>ORANGE</b>	Signal level is acceptable	Ensure the extrusion is parallel to the machine axis of motion (see <a href="#">section 12</a> on page 19) and adjust the readhead to maximise the signal strength along the full axis of travel to achieve a green or blue LED
 <b>RED</b>	Signal level is NOT acceptable	
 <b>FLASHING RED</b>	Unable to determine the position	<p>Readhead not picking up the scale due to contamination or poor installation</p> <hr/> <p><b>NOTE:</b> Flashing LED indicates scale reading error. Flashing state is latched for some serial interfaces.</p> <hr/> <p>Remove power to reset.</p> <hr/>

## 15.7 Air supply

FORTiS system encoders can be operated with an additional compressed air supply to increase the level of ingress protection from IP53 to IP64. If using air purge the air supply must meet pressure and cleanliness criteria as shown in the table below at the supply input of the encoder.

Air supply cleanliness requirements		
<b>Air supply pressure</b>	1 bar (pressure at encoder air inlet; air inlet connector has an integrated throttle that ensures the correct volume of airflow of 2 l/min through the encoder)	
<b>Maximum particulate contamination</b>	ISO 8573-1 Class 1	
	Particle size	No. of particles per m <sup>3</sup>
	0.1 µm to 0.5 µm	≤ 20 000
	0.5 µm to 1.0 µm	≤ 400
	1.0 µm to 5.0 µm	≤ 10
<b>Max pressure dew point</b>	ISO 8573-1 Class 4 (pressure dew point at 3 °C)	
<b>Total oil content</b>	ISO 8573-1 Class 1 (maximum oil concentration: 0.01 mg/m <sup>3</sup> )	

The air purge supply is normally connected to the system part that will be stationary. Depending on the machine configuration, either the extrusion or the readhead will move with the machine guideway.

Air inlets are included on both sides of the readhead and on both the extrusion end caps. Use a suitable air supply hose with a 4 mm bore.

For compatible air supply components refer to the data sheet *Air filtration systems for use with FORTiS encoders* (Renishaw part number L-9517-9982).

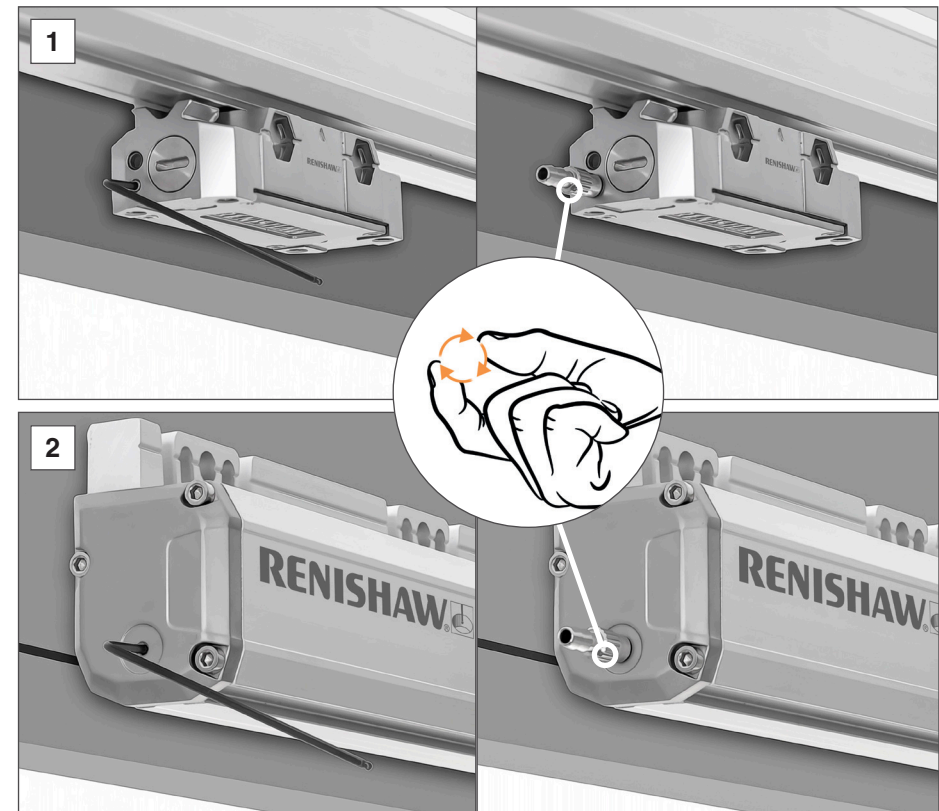


Full-size air filter  
(Renishaw part no. A-9768-4353)



Reduced-size air filter  
(Renishaw part no. A-9768-4354)

**NOTE:** If an air bung or air connector screw requires replacement or repositioning it should be secured with Loctite 222.



**Removal of the air supply bung and fitment of the air connection fitting into either the readhead (1) or extrusion end cap (2). Finger tighten (0.3 Nm maximum).**

**WARNING:** Remove the blanking plug only from the position at which the purge air supply is to be connected, or the sealing integrity may be compromised.

## 16 Cables and serial interfaces

Further information relating to cables for the FORTiS encoder range can be found in the data sheet *Cables for FORTiS absolute encoders* (Renishaw part no. L-9517-0069). This can be downloaded from our website [www.renishaw.com/fortisdownloads](http://www.renishaw.com/fortisdownloads) and is also available from your local Renishaw representative.

### 16.1 General specifications

<b>Readhead cable</b>	Type A	Ø4.7 mm, 28 AWG, 7 core, single screen, black jacket Flex life > 20 × 10 <sup>6</sup> cycles at 20 mm bend radius Minimum static bend radius (internal radius): 15 mm
	Type B	OD: 6.3 mm, 23 AWG, 6 core (3 × twisted pairs), single screen, green jacket Flex life > 20 × 10 <sup>6</sup> cycles at 75 mm bend radius Minimum static bend radius (internal radius): 31.5 mm
	Type D	Armoured: OD 10 mm, 28 AWG, 7 core Flex life > 20 × 10 <sup>6</sup> cycles at 100 mm bend radius Minimum static bend radius (internal radius): 35 mm
<b>Extension cable (if applicable)</b>	Type B	OD: 6.3 mm, 23 AWG, 6 core (3 × twisted pairs), single screen, green jacket Flex life > 20 × 10 <sup>6</sup> cycles at 75 mm bend radius Minimum static bend radius (internal radius): 31.5 mm
	Type C	OD: 7.8 mm, 2 × 20 AWG (power), 4 × 23 AWG (signal), 2 × 28 AWG (sense), single screen, green jacket Flex life > 20 × 10 <sup>6</sup> cycles at 75 mm bend radius Minimum static bend radius (internal radius): 58 mm

**CAUTION:** The FORTiS-S FS encoder system has been designed to the relevant EMC standards, but must be correctly integrated to achieve EMC compliance. In particular, attention to shielding arrangements is essential.

### 16.2 Permissible cable lengths

The following graphs show permissible cable and extension cable combinations for the FORTiS range of enclosed linear encoders. For longer extension cable lengths, a shorter readhead cable is required. This information is valid for all serial interfaces and connector types. At the worst case the minimum acceptable supply voltage is 4.75 Vdc.

---

#### IMPORTANT:

- For Siemens systems, the distance between the readhead and the DRIVE-CLiQ interface must adhere to the restrictions shown in the graphs in this section, but the combination of readhead cable and extension cable MUST NOT EXCEED 25 m.
  - If the original termination supplied with the FORTiS-S FS encoder system is altered or a non-Renishaw cable that is not approved is used, then it is the responsibility of the system manufacturer to make sure the system is compliant with IEC 61800-5-2:2016 *Electromagnetic immunity requirement for safety related systems – Annex E, second environment*.
-

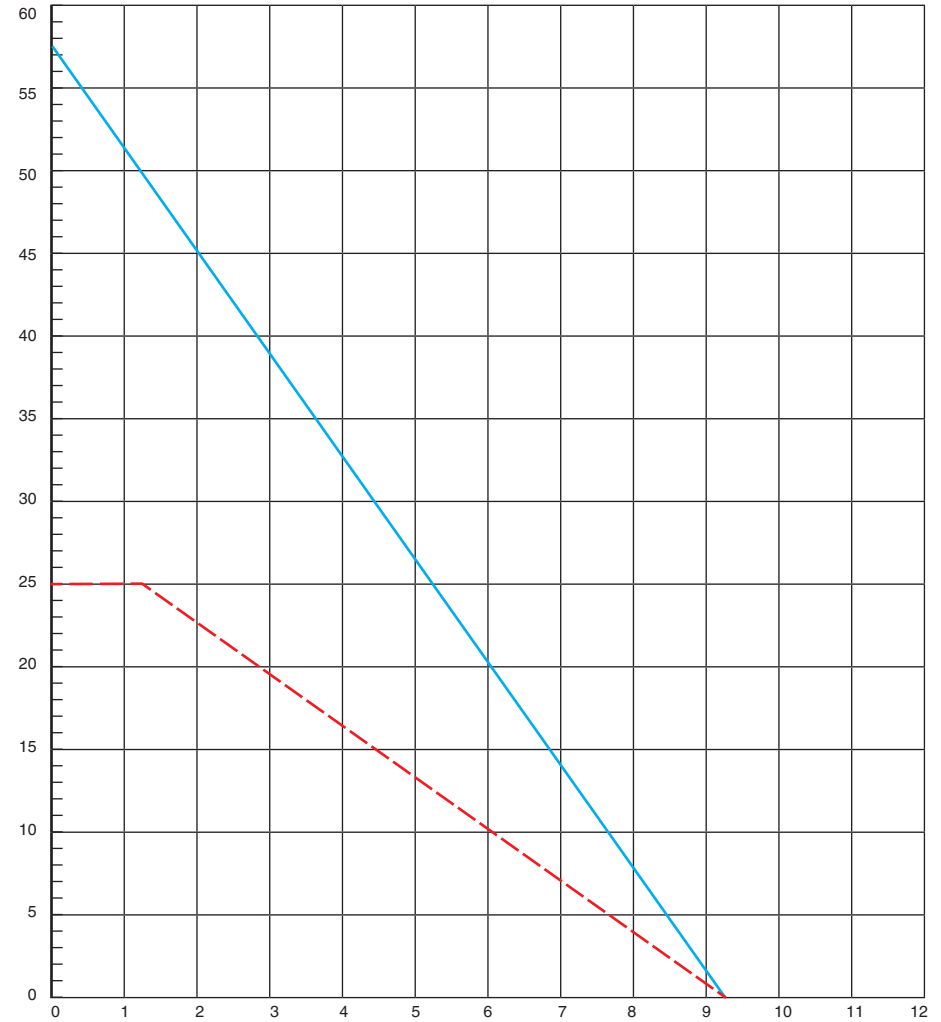
### 16.2.1 Type A readhead cable combined with an extension cable

The following graph shows the maximum length for a cable run when a combination of Type A readhead cable and either Type B or Type C extension cable is used. To read this graph, find the length of readhead cable on the x axis, then the y axis will indicate the maximum extension cable length for each type of extension cable.

Extension cable length (m)

**Key**

- Maximum Type B cable length ---
- Maximum Type C cable length —



Type A, 28 AWG readhead cable length (m)

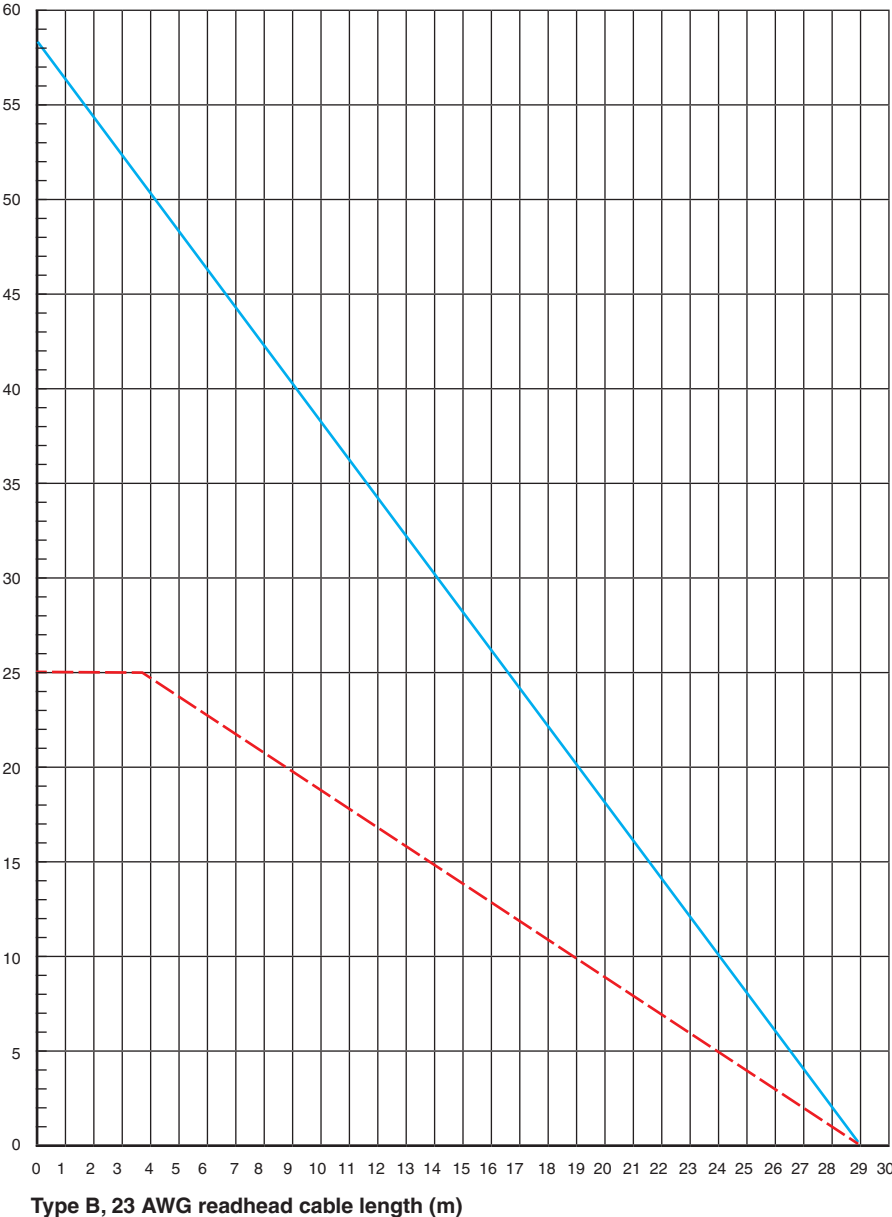
### 16.2.2 Type B readhead cable combined with an extension cable

The following graph shows the maximum length for a cable run when a combination of Type B readhead cable and either Type B or Type C extension cable is used. To read this graph, find the length of readhead cable on the x axis, then the y axis will indicate the maximum extension cable length for each type of extension cable.

Extension cable length (m)

**Key**

- Maximum Type B cable length ---
- Maximum Type C cable length —



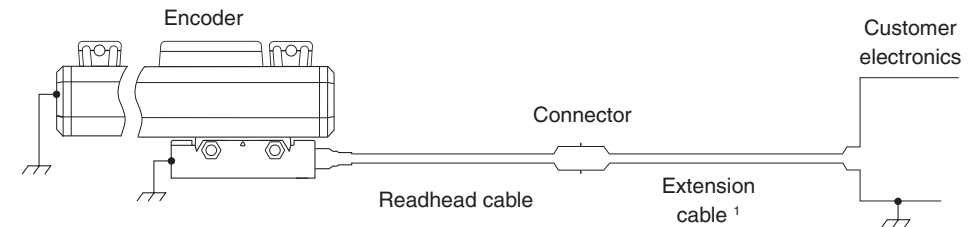
## 16.3 BiSS Safety serial interface

<b>Power supply</b>	5 V ±10%	1.25 W maximum (250 mA @ 5 V)
<b>NOTES:</b>		
1. Current consumption figures refer to terminated FORTiS-S FS systems. Renishaw encoder systems must be powered from a 5 Vdc supply complying with the requirements for PELV of standard IEC 60950-1.		
2. Over voltage protection ±10 V.		
Ripple	200 mVpp maximum @ frequency up to 500 kHz	

### 16.3.1 Output signals

Function	Signal	Flying lead wire colour (F)	Pin-out		
			9-way D-type (A)	8-way M12 (S)	15-way D-type (D)
Power	5 V	Brown	4, 5	2	4, 12
	0 V	White	8, 9	5, 8	2, 10
Serial interface	MA+	Violet	2	3	8
	MA-	Yellow	3	4	15
	SLO+	Grey	6	7	5
	SLO-	Pink	7	6	13
Shield	Shield	Shield	Case	Case	Case

### 16.3.2 FORTiS-S FS grounding and shielding – BiSS Safety



<sup>1</sup> For maximum extension cable length please consult your local Renishaw representative.

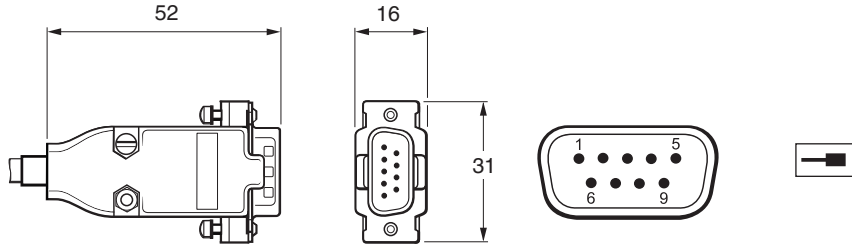
#### IMPORTANT:

1. The shield should be connected to the machine Earth (Field Ground).
2. If the flying lead variant is used or the connector is modified or replaced, the customer must ensure that both 0 V cores (white and green) are connected to 0 V. In such situations, care should also be taken to ensure that 0 V and Earth remain properly insulated from each other throughout the cable run.
3. If the original termination supplied with the FORTiS-S FS encoder system is altered or a non-Renishaw cable that is not approved is used, then it is the responsibility of the system manufacturer to make sure the system is compliant with IEC 61800-5-2:2016 *Electromagnetic immunity requirement for safety related systems – Annex E, second environment*.

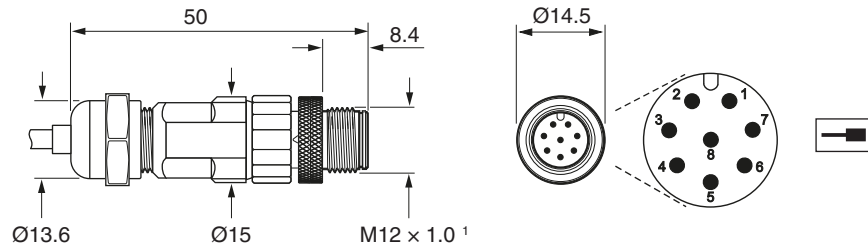
### 16.3.3 Controller connector

Dimensions in mm

#### 9-way D-type plug

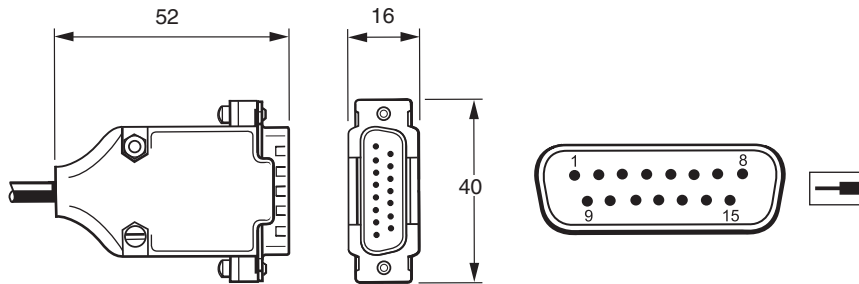


#### 8-way M12 plug



<sup>1</sup> The recommended tightening torque is 4 Nm.

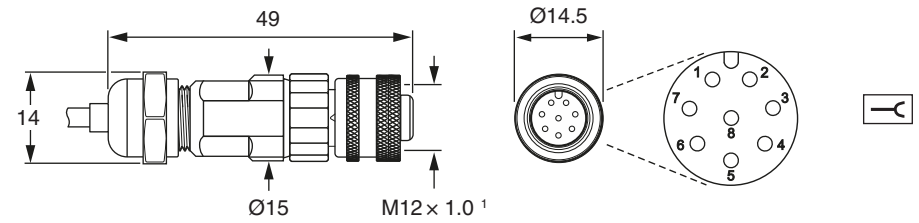
#### 15-way D-type plug



### 16.3.4 In-line connector

Dimensions in mm

#### 8-way M12 socket



<sup>1</sup> The recommended tightening torque is 4 Nm.



## 16.4 Siemens DRIVE-CLiQ serial interface

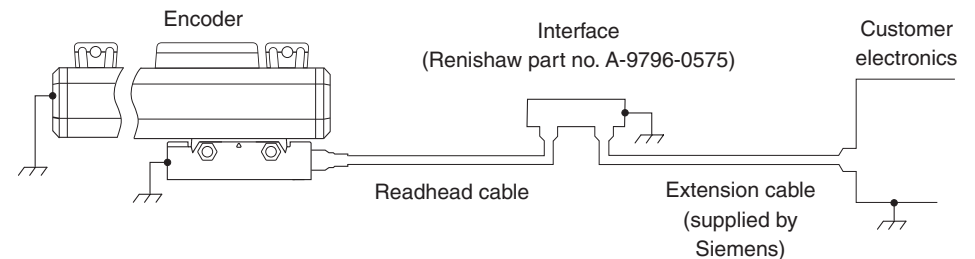
Included with Siemens-only versions of FORTiS.

DRIVE-CLiQ interface connector		
<b>Power supply</b>	24 V	1.8 W maximum (75 mA @ 24 V), 24 V as per DRIVE-CLiQ specification. 24 V power is provided by the DRIVE-CLiQ network Overvoltage protection for DRIVE-CLiQ: -36V to +36V
<b>Maximum total cable length</b>		Readhead to DRIVE-CLiQ interface 9 m (Refer to Siemens DRIVE-CLiQ specifications for maximum cable length from interface to controller) Extension cables from the FORTiS-S FS DRIVE-CLiQ interface to the controller should be sourced directly from Siemens
<b>Connector tightening torque</b>		M12 – 4 Nm
<b>Vibration (interface)</b>		< 100 m/s <sup>2</sup> to IEC 60068-2-6
<b>Environment protection (interface)</b>		IP67

### 16.4.1 Output signals

Function	Signal	Wire colour	Pin-out
			8-way M12 (S)
Power	5 V	Brown	2
	0 V	White	5, 8
Serial interface	A+	Violet	3
	A-	Yellow	4
Reserved	Do not connect	Grey	7
		Pink	6
Shield	Shield	Shield	Case

### 16.4.2 FORTiS-S FS grounding and shielding – Siemens DRIVE-CLiQ versions



**NOTE:** On Siemens DRIVE-CLiQ systems the connector between the readhead cable and extension cable will mate via the A-9796-0575 interface.

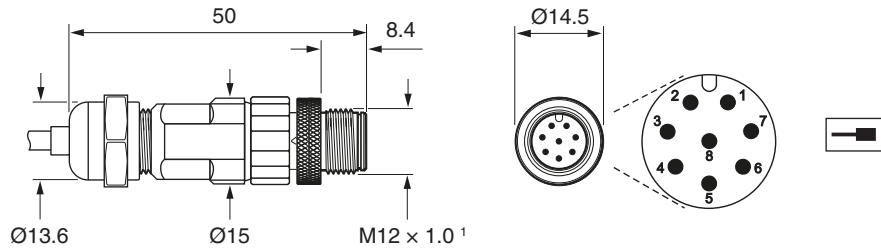
#### IMPORTANT:

1. The shield should be connected to the machine Earth (Field Ground).
2. If the flying lead variant is used or the connector is modified or replaced, the customer must ensure that both 0 V cores (white and green) are connected to 0 V. In such situations, care should also be taken to ensure that 0 V and Earth remain properly insulated from each other throughout the cable run.
3. If the original termination supplied with the FORTiS-S FS encoder system is altered or a non-Renishaw cable that is not approved is used, then it is the responsibility of the system manufacturer to make sure the system is compliant with IEC 61800-5-2:2016 *Electromagnetic immunity requirement for safety related systems – Annex E, second environment*.

### 16.4.3 Controller connector

Dimensions in mm

#### 8-way M12 plug

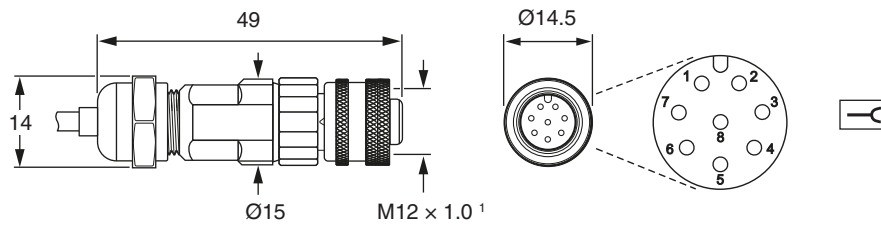


<sup>1</sup> The recommended tightening torque is 4 Nm.

### 16.4.4 In-line connector

Dimensions in mm

#### 8-way M12 socket



<sup>1</sup> The recommended tightening torque is 4 Nm.

## 16.4.5 Siemens DRIVE-CLiQ serial interface

### 16.4.5.1 RDY LED functions

Colour	Status	Description
-	Off	Power supply is missing or outside permissible tolerance range
<b>Green</b>	Continuous light	The component is ready for operation and cyclic DRIVE-CLiQ communication is taking place
<b>Orange</b>	Continuous light	DRIVE-CLiQ communication is being established
<b>Red</b>	Continuous light	At least one fault is present in this component  <b>NOTE:</b> The LED is activated regardless of whether the corresponding messages have been reconfigured.
<b>Green/ orange or red/ orange</b>	Flashing light	Component recognition via LED is activated (p0144)  <b>NOTE:</b> Both options depend on the LED status when component recognition is activated via p0144=1.

### 16.4.5.2 Status LED function

STATUS displays the readhead set-up status as shown on the readhead set-up LED; see [section 15.6](#) on page 34 for more details.

## 16.4.6 Siemens DRIVE-CLiQ interface output

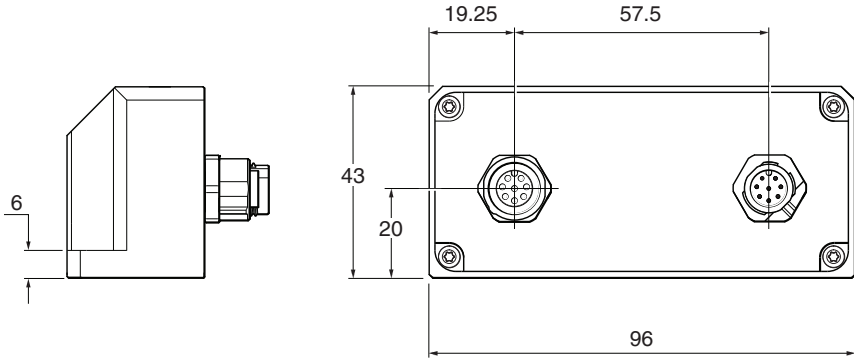
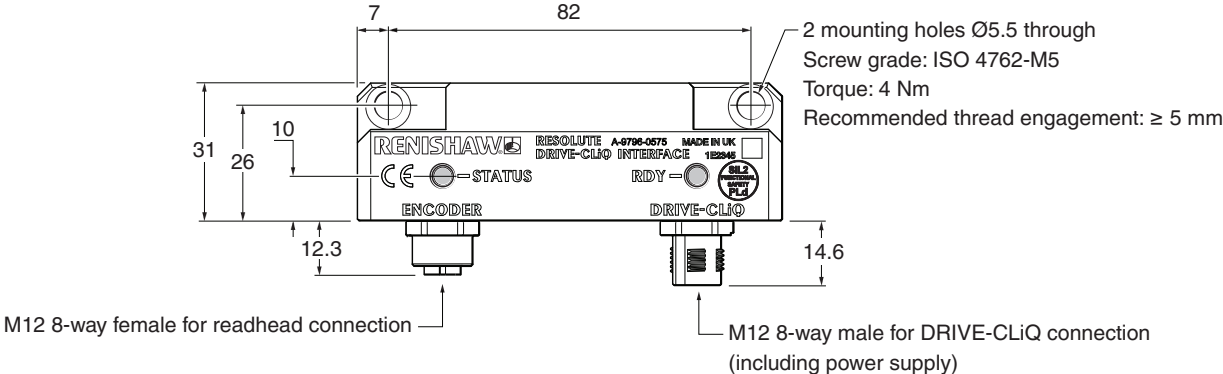
Function	Signal	Pin-out M12
<b>Power</b>	24 V	1
	0 V	5
<b>DRIVE-CLiQ serial interface</b>	RX+	3
	RX-	4
	TX+	7
	TX-	6
<b>Shield</b>	Shield	Case

# 16.4.7 Siemens DRIVE-CLiQ interface installation drawing

Single readhead (Renishaw part no. A-9796-0575)





Dimensions in mm



[www.renishaw.com/contact](http://www.renishaw.com/contact)

 #renishaw

 +44 (0) 1453 524524  [uk@renishaw.com](mailto:uk@renishaw.com)

© 2020–2024 Renishaw plc. All rights reserved. This document may not be copied or reproduced in whole or in part, or transferred to any other media or language by any means, without the prior written permission of Renishaw.  
RENISHAW® and the probe symbol are registered trade marks of Renishaw plc. Renishaw product names, designations and the mark "apply innovation" are trade marks of Renishaw plc or its subsidiaries.  
BiSS® is a registered trade mark of iC-Haus GmbH. Loctite® is a registered trade mark of the Henkel Corporation.  
Other brand, product or company names are trade marks of their respective owners.  
Renishaw plc. Registered in England and Wales. Company no: 1106260. Registered office: New Mills, Wotton-under-Edge, Glos, GL12 8JR, UK.

WHILE CONSIDERABLE EFFORT WAS MADE TO VERIFY THE ACCURACY OF THIS DOCUMENT AT PUBLICATION, ALL WARRANTIES, CONDITIONS, REPRESENTATIONS AND LIABILITY, HOWSOEVER ARISING, ARE EXCLUDED TO THE EXTENT PERMITTED BY LAW.

RENISHAW RESERVES THE RIGHT TO MAKE CHANGES TO THIS DOCUMENT AND TO THE EQUIPMENT, AND/OR SOFTWARE AND THE SPECIFICATION DESCRIBED HEREIN WITHOUT OBLIGATION TO PROVIDE NOTICE OF SUCH CHANGES.

Part no.: M-6725-9016-02-B  
Issued: 11.2024