

OTS optical tool setter


www.renishaw.com/ots

Specification

Variant		½ AA OTS	AA OTS
Principal application		Tool measuring and broken tool detection on small to medium machining centres.	
Transmission type		Infrared optical transmission (modulated)	
Compatible interfaces		OMI-2, OMI-2T, OMI-2H, OMI-2C and OSI / OMM-2	
Operating range		Up to 5 m (16.4 ft)	
Recommended styli		Disc stylus (tungsten carbide, 75 Rockwell C) or Square tip stylus (ceramic tip, 75 Rockwell C)	
Weight with disc stylus (including batteries)		870 g (30.69 oz)	950 g (33.51 oz)
Switch-on/switch-off options		Optical on Optical on	→ Optical off → Timer off
Battery life (2 x ½ AA or AA 3.6 V Lithium-thionyl chloride)	Standby life	310 days	730 days
	Continuous use	400 hours	800 hours
Sense directions		±X, ±Y, +Z	
Unidirectional repeatability		1.00 µm (40 µin) 2σ (see note 1)	
Stylus trigger force (see notes 2 and 3)		1.30 N to 2.40 N, 133 gf to 245 gf (4.68 ozf to 8.63 ozf) depending on sense direction	
Sealing		IPX8 (EN/IEC 60529)	
Mounting		M12 (1/2 in) T bolt (not supplied) Optional Spirol pins to allow accurate remounting (supplied)	
Operating temperature		+5 °C to +50 °C (+41 °F to +122 °F)	

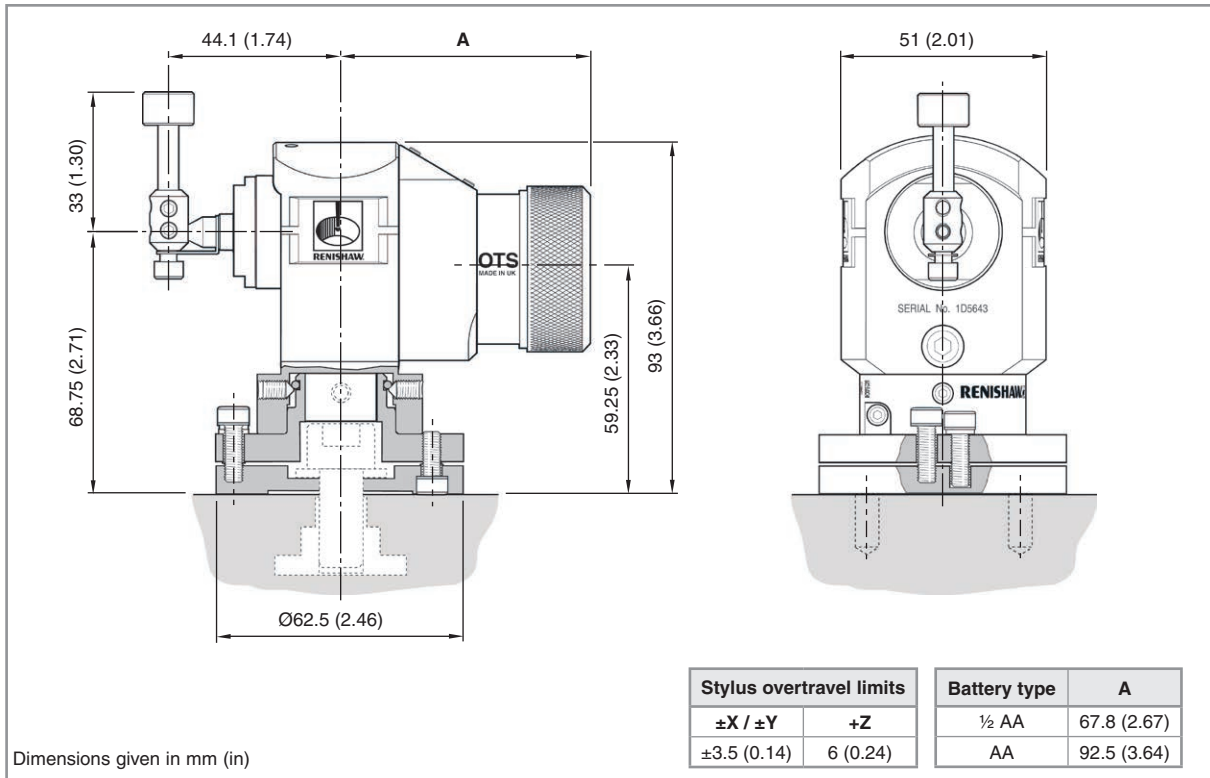
Note 1 Performance specification is tested at a standard test velocity of 480 mm/min (18.9 in/min) with a 35 mm stylus. Significantly higher velocity is possible depending on application requirements.

Note 2 Trigger force, which is critical in some applications, is the force exerted on the component by the stylus when the probe triggers. The maximum force applied will occur after the trigger point (overtravel). The force value depends on related variables including measuring speed and machine deceleration.

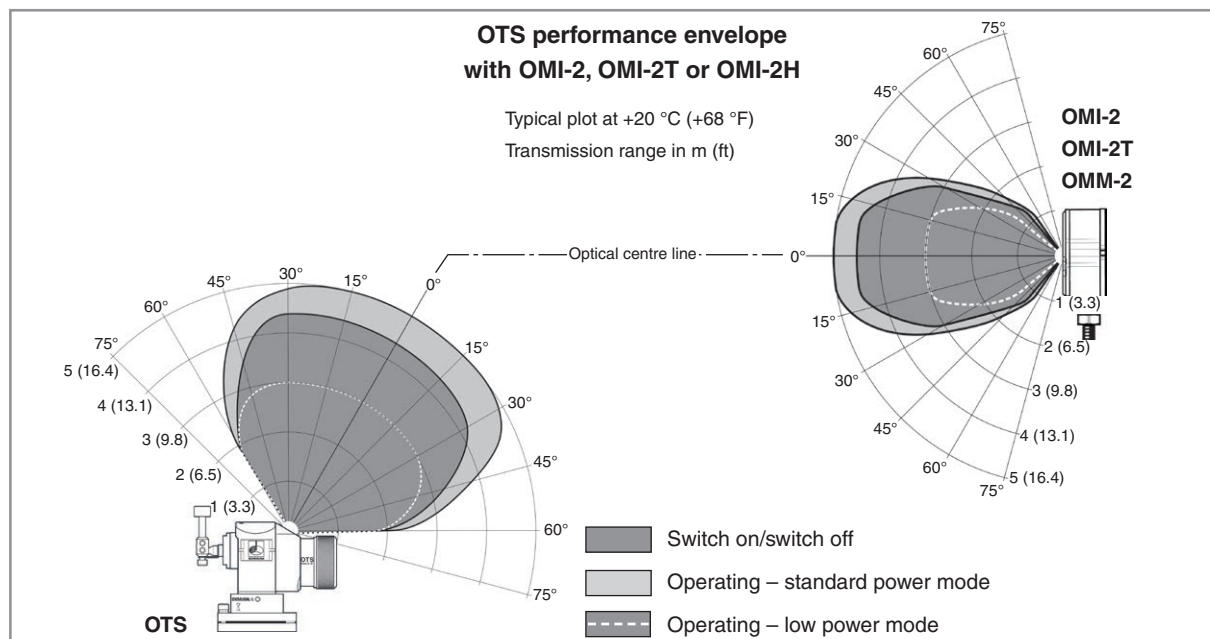
Note 3 These are the factory settings, manual adjustment is not possible.

For further information and the best possible application and performance support please contact Renishaw or visit www.renishaw.com/ots

OTS dimensions



OTS performance envelope



Spare parts and accessories

A full range of spare parts and accessories is available.
 Please contact Renishaw for a full list.

For worldwide contact details, visit
www.renishaw.com/contact

