

RMI-QE



| | | | |
|-----|---|---|--|
| EN |  | Publications for this product are available by scanning the barcode or visiting www.renishaw.com/rmi-qe . | |
| DE | | Für dieses Produkt stehen weitere Informationen zur Verfügung. Scannen Sie dazu den Barcode oder besuchen Sie www.renishaw.de/rmi-qe . |  |
| ES |  | Para acceder a las publicaciones sobre este producto escanee el código de barras o visite www.renishaw.es/rmi-qe . | |
| FR | | Les documentations pour ce produit sont disponibles en scannant le code barres ou en visitant www.renishaw.fr/rmi-qe . |  |
| IT |  | Le pubblicazioni relative a questo prodotto sono disponibili scansionando il codice a lato oppure visitando il sito: www.renishaw.it/rmi-qe . | |
| 日本語 | | 本製品に関する資料については、バーコードをスキャンするか www.renishaw.jp/rmi-qe をご覧ください。 |  |

| | | | |
|--------------------|---|--|--|
| PL |  | <p>Dostęp do dokumentacji tego produktu można uzyskać, skanując kod kreskowy lub odwiedzając witrynę www.renishaw.pl/rmi-qe.</p> | |
| CS | | <p>Publikace pro tento produkt jsou k dispozici po naskenování QR kódu nebo na stránce www.renishaw.cz/rmi-qe.</p> |  |
| RU |  | <p>Если вас интересует информация об этом продукте, отсканируйте штрих-код или посетите сайт www.renishaw.ru/rmi-qe.</p> | |
| 中文 (繁體) | | <p>可透過下列方式獲得此產品的出版物 透過掃描條碼，或造訪 www.renishaw.com.tw/rmi-qe。</p> |  |
| 中文 (简体) |  | <p>可通过以下方式获得此产品的相关文档： 扫描二维码，或访问 www.renishaw.com.cn/rmi-qe。</p> | |
| 한국어 | | <p>본 제품에 대한 간행물은 바코드를 스캔하거나 다음을 방문하여 확인하실 수 있습니다 www.renishaw.co.kr/rmi-qe.</p> |  |

This page is intentionally left blank.

Intended use

The RMI-QE, which acts as a combined radio transceiver and machine interface, converts signals from the radio probe into voltage-free solid state relay (SSR) and driven outputs for transmission to the CNC machine controller.

Safety

Information to the user

In all applications involving the use of machine tools, eye protection is recommended.

The RMI-QE has a glass window. Handle with care if broken to avoid injury.

Information to the machine supplier/installer

It is the machine supplier's responsibility to ensure that the user is made aware of any hazards involved during operation, including those mentioned in Renishaw product literature, and to ensure that adequate guards and safety interlocks are provided.

If the probe fails, the probe signal may falsely indicate a probe seated condition. Do not rely on probe signals to halt the movement of the machine.

Information to the equipment installer

All Renishaw equipment is designed to comply with the relevant UK, EU and FCC regulatory requirements. It is the responsibility of the equipment installer to ensure that the following guidelines are adhered to, in order for the product to function in accordance with these regulations:

- Any interface **MUST** be installed in a position away from any potential sources of electrical noise (for example, power transformers, servo drives).
- All 0 V/ground connections should be connected to the machine "star point" (the "star point" is a single point return for all equipment ground and screen cables). This is very important and failure to adhere to this can cause a potential difference between grounds.
- All screens must be connected as outlined in the user instructions.
- Cables must not be routed alongside high current sources (for example, motor power supply cables), or be near high-speed data lines.
- Cable lengths should always be kept to a minimum.

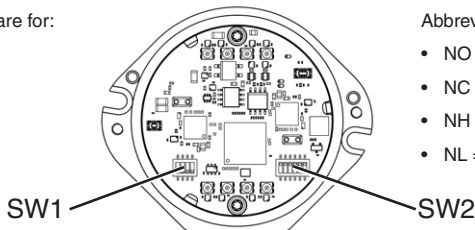
Equipment operation

If this equipment is used in a manner not specified by the manufacturer, the protection provided by the equipment may be impaired.

Switch settings SW1 and SW2

Factory settings shown are for:

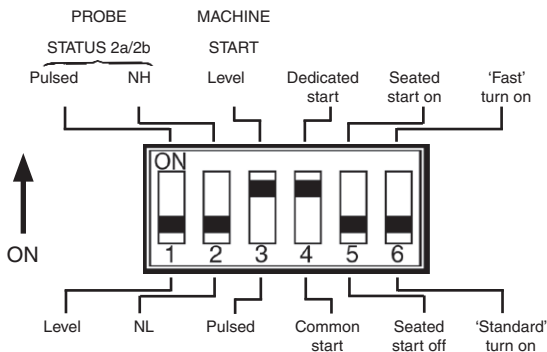
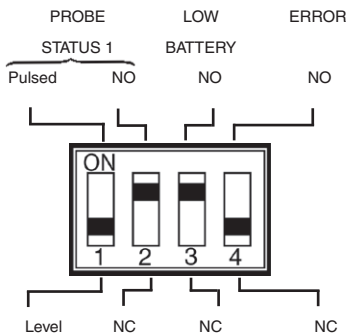
- A-6551-0049
- A-6551-0050



Abbreviations are as follows:

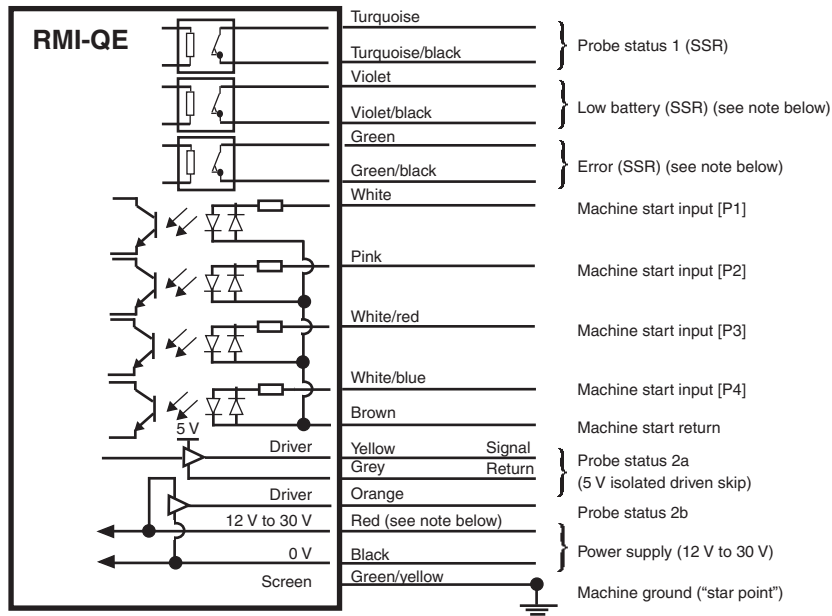
- NO = Normally open
- NC = Normally closed
- NH = Normally high
- NL = Normally low

Switch SW1 output configuration Switch SW2 output configuration



CAUTION: Exercise caution when using error or probe SSR in NO mode as a wiring fault could cause loss of error condition and therefore could result in a non-failsafe condition. See the *RMI-QE radio machine interface* installation guide (Renishaw part no. H-6551-8520).

Wiring diagram (with output groupings shown)

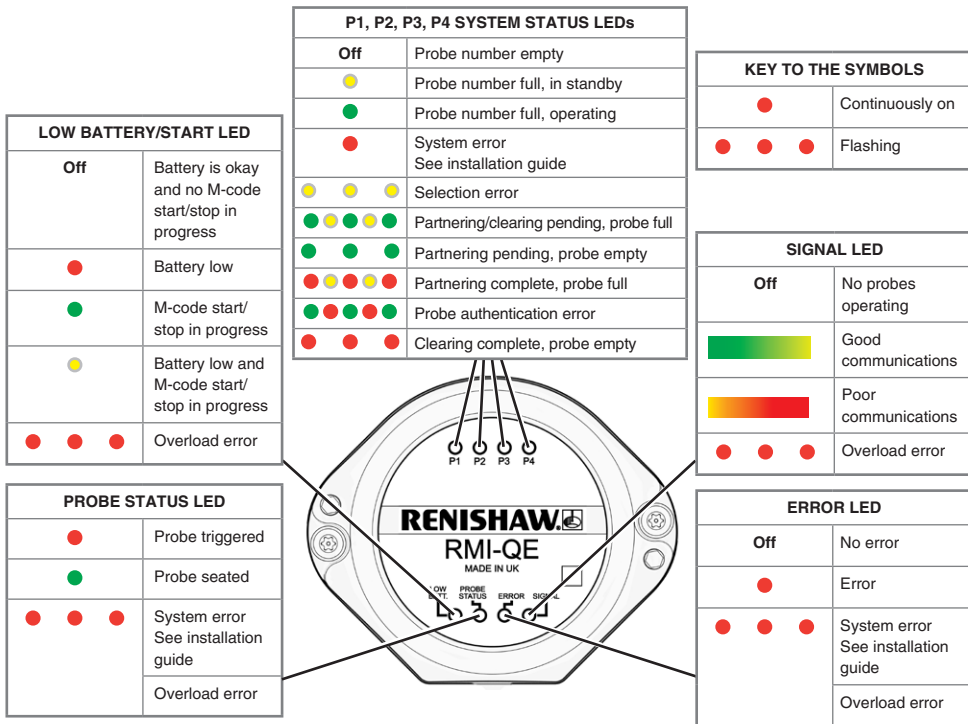


CAUTION: The power supply 0 V should be terminated at the machine ground ("star point"). A negative supply can be used, when wired appropriately.

NOTES:

A switch can be fitted between the machine power supply and the red wire, to aid powering up the RMI-QE when partnering. It is recommended that both the low battery (SSR) and error (SSR) are connected to provide full system information.

RMI-QE visual diagnostics



© 2021 Renishaw plc. All rights reserved.

This document may not be copied or reproduced in whole or in part, or transferred to any other media or language, by any means, without the prior written permission of Renishaw plc.

Renishaw plc. Registered in England and Wales. Company no: 1106260. Registered office: New Mills, Wotton-under-Edge, Gloucestershire, GL12 8JR, UK.

Disclaimer

WHILE CONSIDERABLE EFFORT WAS MADE TO VERIFY THE ACCURACY OF THIS DOCUMENT AT PUBLICATION, ALL WARRANTIES, CONDITIONS, REPRESENTATIONS AND LIABILITY, HOWSOEVER ARISING, ARE EXCLUDED TO THE EXTENT PERMITTED BY LAW.

RENISHAW RESERVES THE RIGHT TO MAKE CHANGES TO THIS DOCUMENT AND TO THE EQUIPMENT, AND/OR SOFTWARE AND THE SPECIFICATION DESCRIBED HEREIN WITHOUT OBLIGATION TO PROVIDE NOTICE OF SUCH CHANGES.

Trade marks

RENISHAW® and the probe symbol are registered trade marks of Renishaw plc. Renishaw product names, designations and the mark 'apply innovation' are trade marks of Renishaw plc or its subsidiaries.

Other brand, product or company names are trade marks of their respective owners.

Warranty

Unless you and Renishaw have agreed and signed a separate written agreement, the equipment and/or software are sold subject to the Renishaw Standard Terms and Conditions supplied with such equipment and/or software, or available on request from your local Renishaw office.

Renishaw warrants its equipment and software for a limited period (as set out in the Standard Terms and Conditions), provided that they are installed and used exactly as defined in associated Renishaw documentation. You should consult these Standard Terms and Conditions to find out the full details of your warranty.

Equipment and/or software purchased by you from a third-party supplier is subject to separate terms and conditions supplied with such equipment and/or software. You should contact your third-party supplier for details.

Declaration of conformity



Renishaw plc hereby declares that the RMI-QE is in compliance with the essential requirements and other relevant provisions of:

- the applicable EU directives
- the relevant statutory instruments under UK law

The full text of the declaration of conformity is available at:

www.renishaw.com/mtpdoc

Disposal of waste electrical and electronic equipment (WEEE)



The use of this symbol on Renishaw products and/or accompanying documentation indicates that the product should not be mixed with general household waste upon disposal. It is the responsibility of the end user to dispose of this product at a designated collection point for waste electrical and electronic equipment (WEEE) to enable reuse or recycling. Correct disposal of this product will help to save valuable resources and prevent potential negative effects on the environment. For more information, contact your local waste disposal service or Renishaw distributor.

REACH regulation

Information required by Article 33(1) of Regulation (EC) No. 1907/2006 ("REACH") relating to products containing substances of very high concern (SVHCs) is available at:

www.renishaw.com/REACH

China RoHS

For more information on China RoHS visit:

www.renishaw.com/mtpchinarohs

FCC Information to user (USA only)

47 CFR Section 15.19

This device complies with part 15 of the FCC Rules. Operation is subject to the following two conditions:

1. This device may not cause harmful interference, and
2. This device must accept any interference received, including interference that may cause undesired operation.

47 CFR Section 15.21

The user is cautioned that any changes or modifications not expressly approved by Renishaw plc or authorised representative could void the user's authority to operate the equipment.

Patents

Features of RMI-QE and features of similar products are the subject of one or more of the following patents and/or patent applications:

CN 100466003

JP 4575781

CN 101482402

JP 5238749

EP 1576560

JP 5390719

EP 1931936

KR 1001244

EP 2216761

TW I333052

IN 215787

US 7665219

IN WO2004/057552

US 7821420

US 9140547

雷尼绍（上海）贸易有限公司

中国上海市静安区江场三路288号
18幢楼1楼
200436

T +86 21 6180 6416

F +86 21 6180 6418

E shanghai@renishaw.com

www.renishaw.com.cn

安全须知

机床供应商/安装商须知

机床制造商有责任确保用户了解操作中存在的任何危险，包括雷尼绍产品说明书中所述的危险，并确保提供充分的防护装置和安全联动装置。

如果测头测量失败，则有误发测头已复位状态信号的可能。切勿单凭测头信号来停止机床运动。

设备安装商须知

雷尼绍所有设备的设计均符合相关的EU和FCC监管要求。为使产品按照这些规定工作，设备安装商有责任保证遵守以下指导原则：

- 任何接口的安装位置**必须**远离任何潜在的电噪声源，如变压器、伺服系统驱动装置等；
- 所有0伏/接地连接都应当连接到机床接地终端上（“接地终端”是所有设备地线和屏蔽电缆的单人回路）。这一点非常重要，不遵守此规定会造成接地之间存在电位差；
- 所有屏蔽装置都必须按使用说明书中所述进行连接；
- 电缆线路不得与机电电源电缆等高电流源并行或靠近高速数据传输线；
- 电缆长度应始终保持最短。

设备操作

如果设备使用方式与制造商要求的方式不符，设备提供的保护功能可能会减弱。

Radio approvals

Argentina:



C-26363

Australia:



Brazil:



Este equipamento não tem direito à proteção contra interferência prejudicial e não pode causar interferência em sistemas devidamente autorizados.

Canada: IC: 3928A-RMIQE

This device complies with Industry Canada licence-exempt RSS standard(s). Operation is subject to the following two conditions: (1) this device may not cause interference, and (2) this device must accept any interference, including interference that may cause undesired operation of the device.

Le présent appareil est conforme aux CNR d'Industrie Canada applicables aux appareils radio exempts de licence. L'exploitation est autorisée aux deux conditions suivantes : (1) l'appareil ne doit pas produire de brouillage, et (2) l'utilisateur de l'appareil doit accepter tout brouillage radioélectrique subi, même si le brouillage est susceptible d'en compromettre le fonctionnement.

EU:



India:

ETA-SD-20210705221

Indonesia:

75103/SDPPI/2021

Japan:



This device is granted pursuant to the Japanese Radio Law and the Japanese Telecommunications Business Law
This device should not be modified (otherwise the granted designation number will become invalid).

Malaysia:



Mexico:

RCPRERM21-2678

“La operación de este equipo está sujeta a las siguientes dos condiciones:

- (1) es posible que este equipo o dispositivo no cause interferencia perjudicial y
- (2) este equipo o dispositivo debe aceptar cualquier interferencia, incluyendo la que pueda causar su operación no deseada.”

New Zealand:



Singapore:



South Africa:



South Korea:



Class A Equipment (Industrial Use)

이 기기는 업무용(A급) 전자파적합기기로서 판매자 또는 사용자는 이 점을 주의하시기 바라며, 가정외의 지역에서 사용하는 것을 목적으로 합니다.

Taiwan:



警語

經型式認證合格之低功率射頻電機，非經許可，公司、商號或使用者均不得擅自變更頻率、加大功率或變更原設計之特性及功能。

低功率射頻電機之使用不得影響飛航安全及干擾合法通信；經發現有干擾現象時，應立即停用，並改善至無干擾時方得繼續使用。

前項合法通信，指依電信法規定作業之無線電通信。低功率射頻電機須忍受合法通信或工業、科學及醫療用電波輻射性電機設備之干擾。

USA:

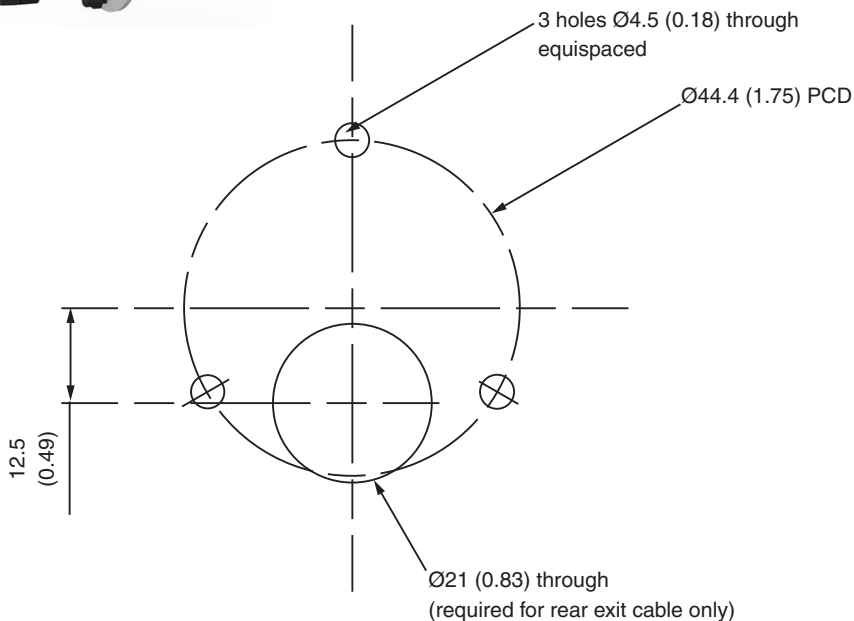
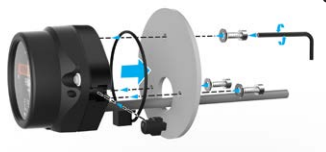
FCC ID: KQGRMI-QE

Iceland Liechtenstein Montenegro Norway Switzerland The Philippines Turkey

Exempt: China Thailand Vietnam



Rear fixing mounting option drilling template



Dimensions given in mm (in)



Renishaw plc
New Mills, Wotton-under-Edge
Gloucestershire, GL12 8JR
United Kingdom

T +44 (0)1453 524524
F +44 (0)1453 524901
E uk@renishaw.com
www.renishaw.com

RENISHAW 
apply innovation™

For worldwide contact details, visit
www.renishaw.com/contact



For internal purposes only