

NC1 non-contact tool setting system accessories

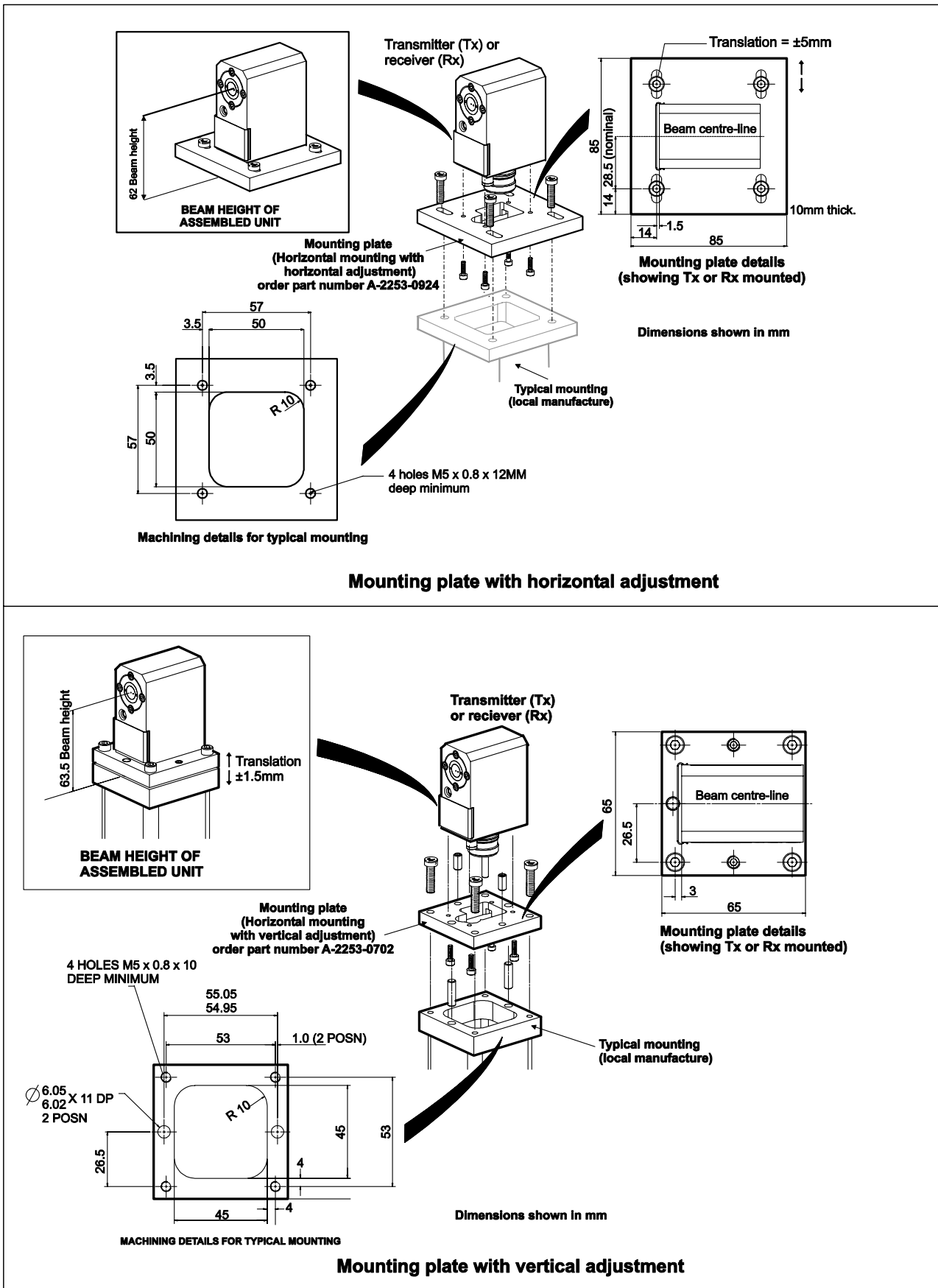


The Renishaw NC1 range of non-contact tool setting systems is supported by a wide choice of accessories.

Accessories in the NC1 range include:

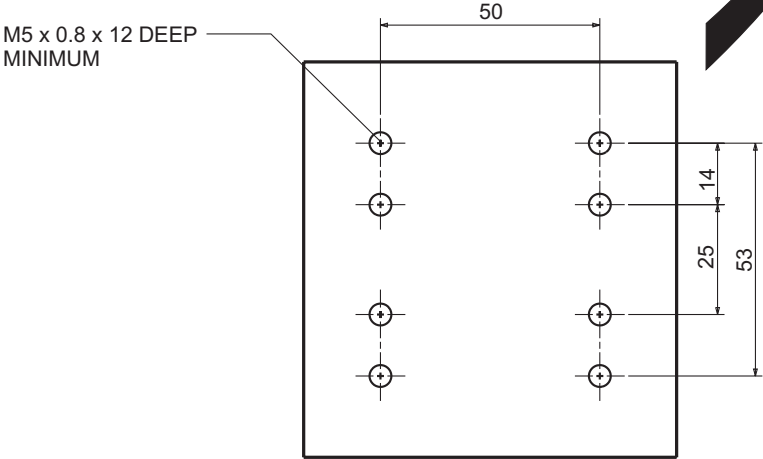
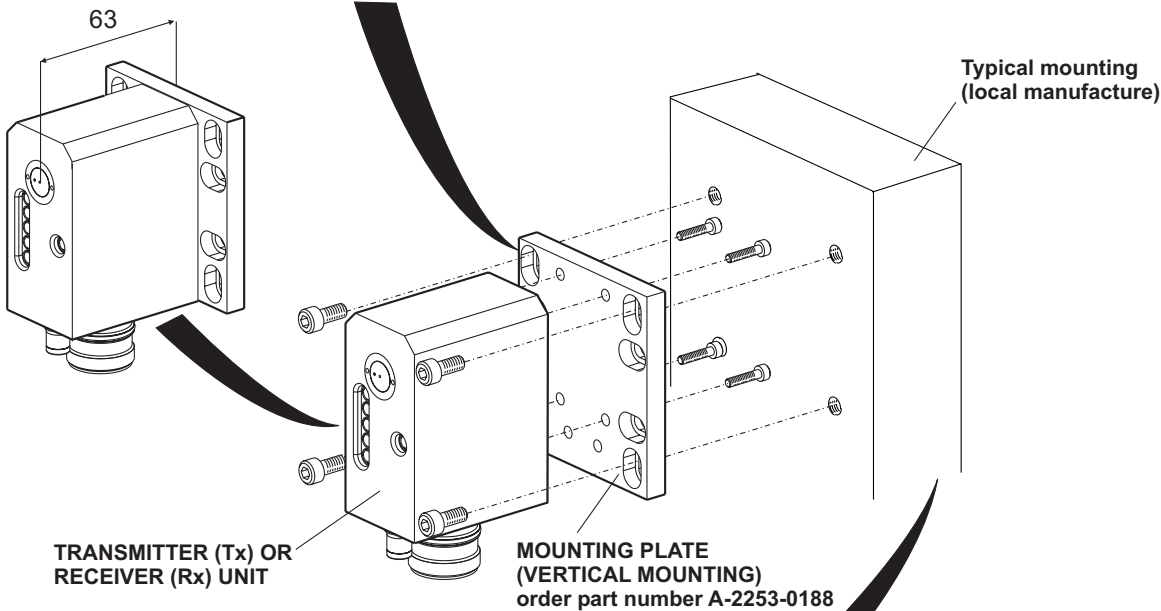
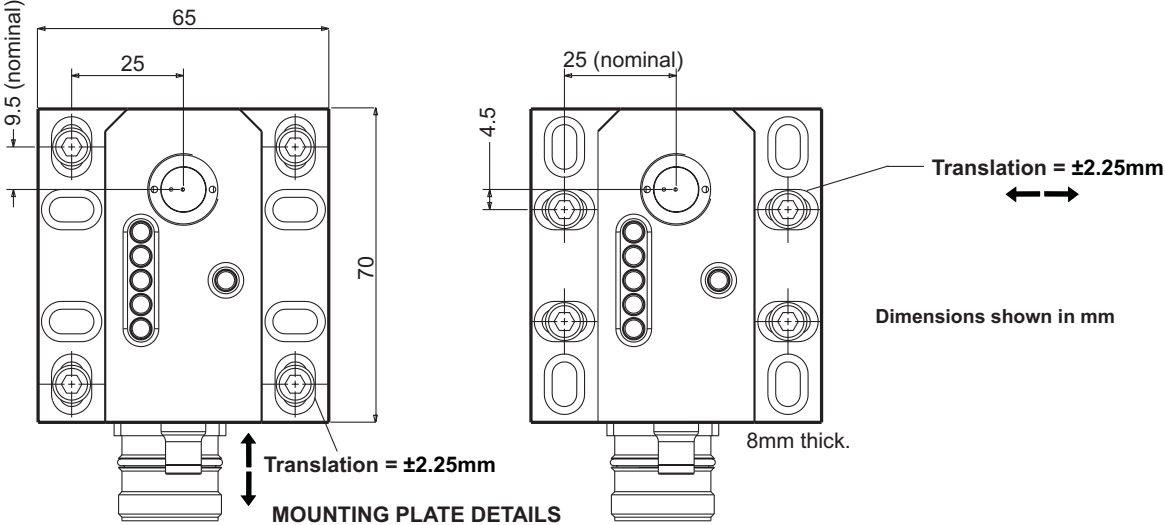
- Mounting plates: which enable easy vertical or horizontal positioning of the transmitter (Tx) and receiver (Rx) units of NC1 separate systems.
- Adjuster packs: which enable accurate alignment of NC1 tool setting systems to the axes of a machine tool.
- Electrical cable with 90° electrical connector: which can be used to vary the entry position of the electrical cable in 45° increments through $\pm 180^\circ$. Each 90° connector incorporates 12.5 metres of electrical cable, 4 metres of 15 mm diameter steel braided conduit and one 6.8 mm ID ferrite ring.
- Service kits: for the maintenance and servicing of NC1 air regulator and filter assemblies.
- Steel braided conduit: which provides additional protection of electrical cables when routed within the machine tool cabinet.
- Stainless steel conduit: which provides additional protection of pneumatic pipes when routed within the machine tool.
- Interface: the NCI-4 interface processes signals from the NC1 and converts them into a voltage-free solid state relay (SSR) output, for transmission to the CNC machine control. For further details see data sheet H-2000-2232.
- The NCI-4 features a drip rejection mode which allows for any drops of coolant hitting the beam to be ignored, taking in only tool measurements.
- Software: Renishaw supplies a wide range of software packages to support tool measurement and tool breakage detection when using the NC1. Please contact us for a full list of the CNC controllers currently supported.
- Custom products: where our current range of standard accessories cannot meet your specific requirements, Renishaw has the capability to custom design products on your behalf. If you require such a product then please contact your local supplier or Renishaw directly.

Mounting plates



Horizontal mounting

Mounting plates



MACHINING DETAILS FOR TYPICAL MOUNTING

Vertical mounting

Adjuster packs

42.5 (NOMINAL)
 81 (NOMINAL)
 60
 95
 75
 66
 85

Rz Ty Ty Rz
 Ty Rz
 Rz Ty
 Ty Rz
 X Ty Ry
 Ty Ry
 Tz Ry Ty
 Tz Tz

Transmitter (Tx) or receiver (Rx)

ADJUSTER PACK
 (order part number A-2253-7600)

Note. Only one adjuster pack is required for each system and may be fitted to either the Tx or Rx unit.

Dimensions shown in mm

Translation Y (Ty) = ±2.5mm
 Rotation Y (Ry) = ±2°
 Translation Z (Tz) = ±5mm
 Rotation Z (Rz) = ±5°

42.5
 81
 60
 95
 75
 66
 85

Transmitter (Tx) or Receiver (Rx)

SPACER PACK
 (order part number A-2253-7601)

Note. The spacer pack is intended for use with the adjuster pack and should be fitted to either the Tx or Rx unit opposite the adjuster pack

Dimensions shown in mm

85
 20 45
 40

4 HOLES TAP M5 x 0.8 x 12 DEEP MINIMUM (FRONT MOUNTING ONLY)
 4 HOLES M5 CLEARANCE (REAR MOUNTING ONLY)

MACHINING DETAILS FOR TYPICAL MOUNTING

Dimensions shown in mm

Note. When using the adjuster pack or spacer pack to mount either the Tx or Rx, the unit may be orientated to any one of the four positions shown.

Adjuster packs

4 plate adjuster pack
(order part number A-2253-0265)

Dimensions shown in mm

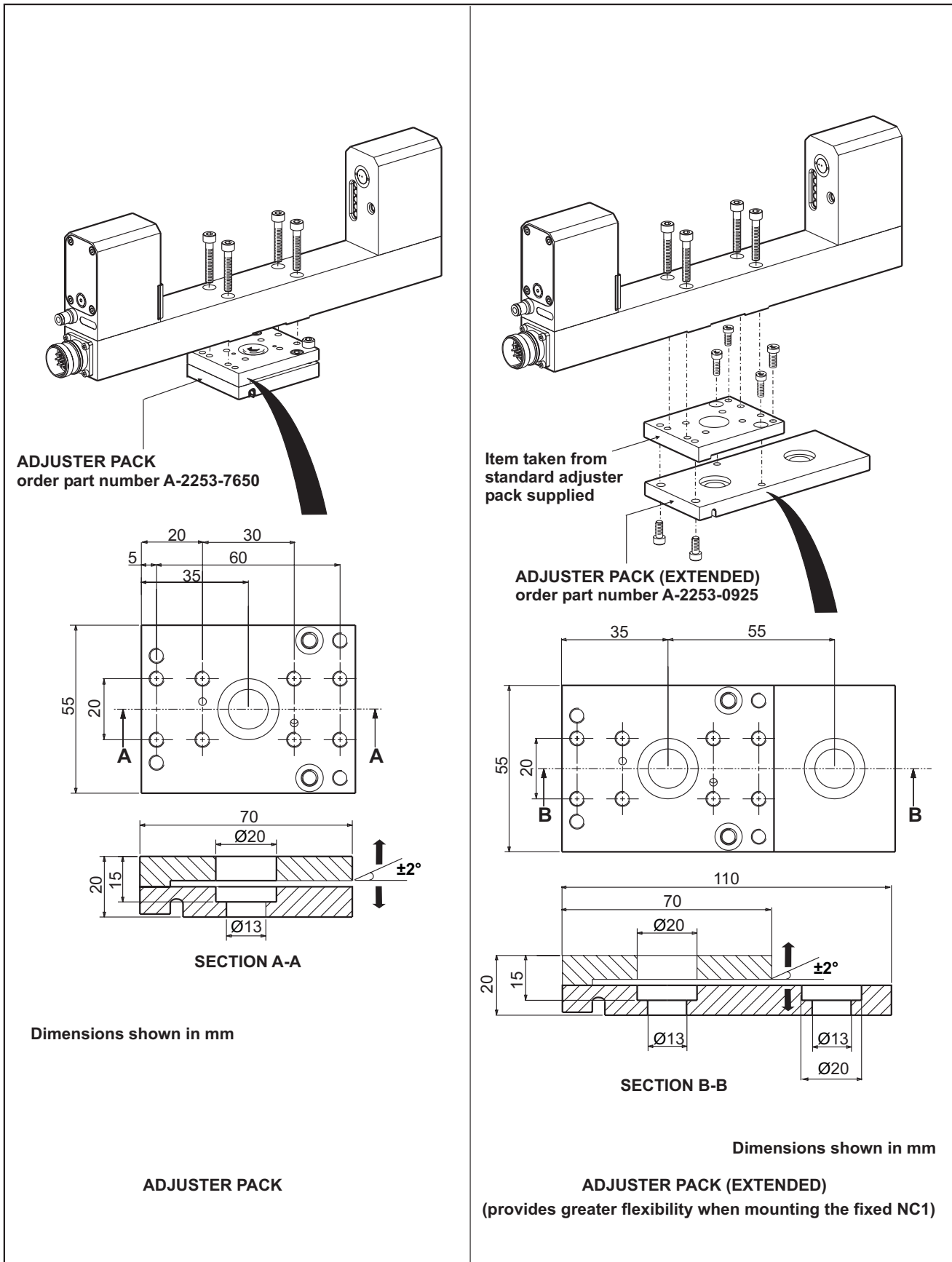
Machining details for typical mounting

Spacer plate
(order part number A-2253-0270)

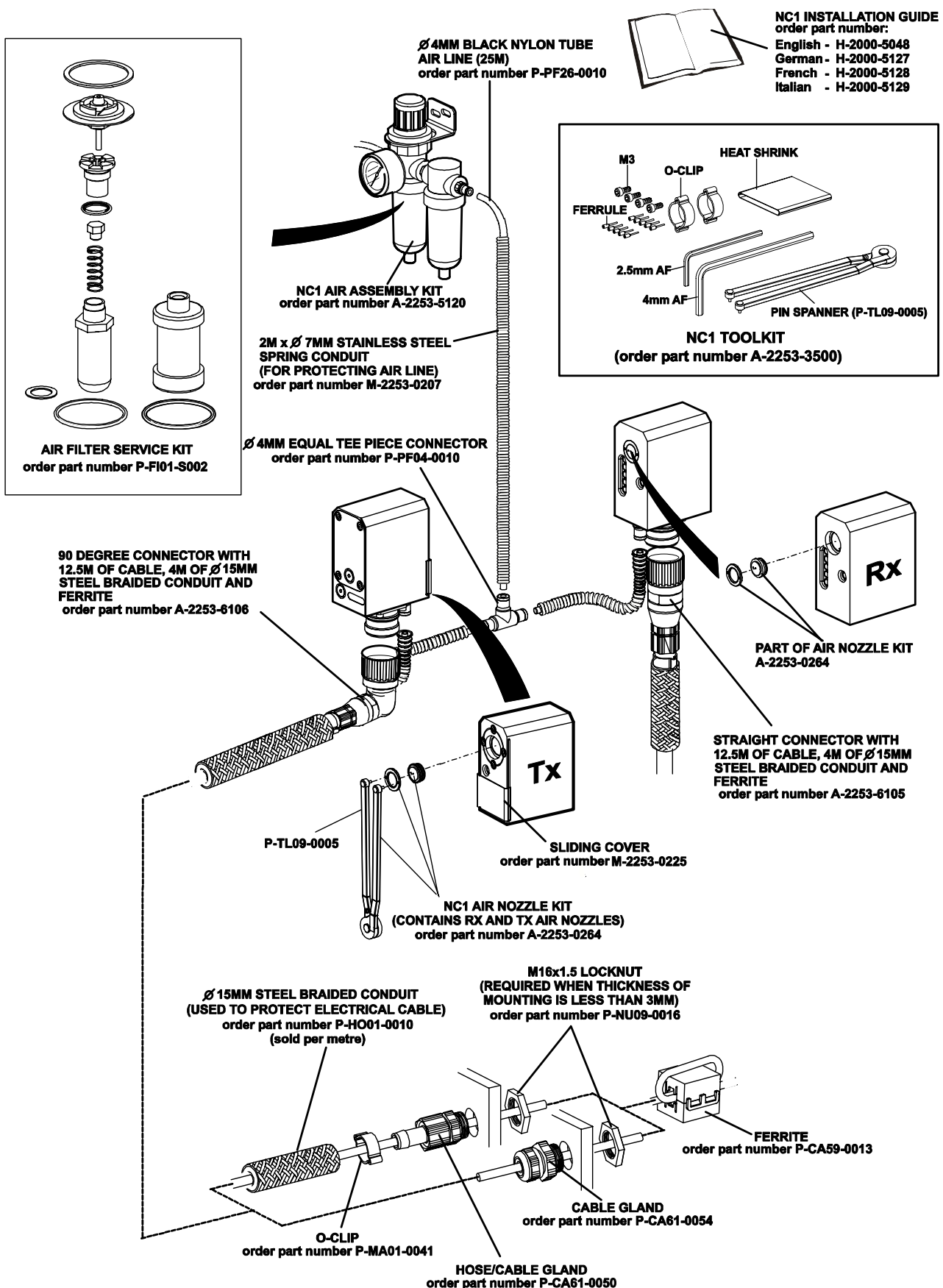
Dimensions shown in mm

Machining details for typical mounting

Adjuster packs



Spares and general accessories



Renishaw plc
New Mills, Wotton-under-Edge,
Gloucestershire GL12 8JR
United Kingdom

T +44 (0)1453 524524
F +44 (0)1453 524901
E uk@renishaw.com
www.renishaw.com

RENISHAW 
apply innovation™

**For worldwide contact details, please visit our
main website at www.renishaw.com/contact**



H - 2000 - 2051 - 03