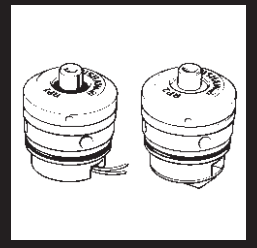


RP1 and RP2 toolsetting / inspection probes



Specification

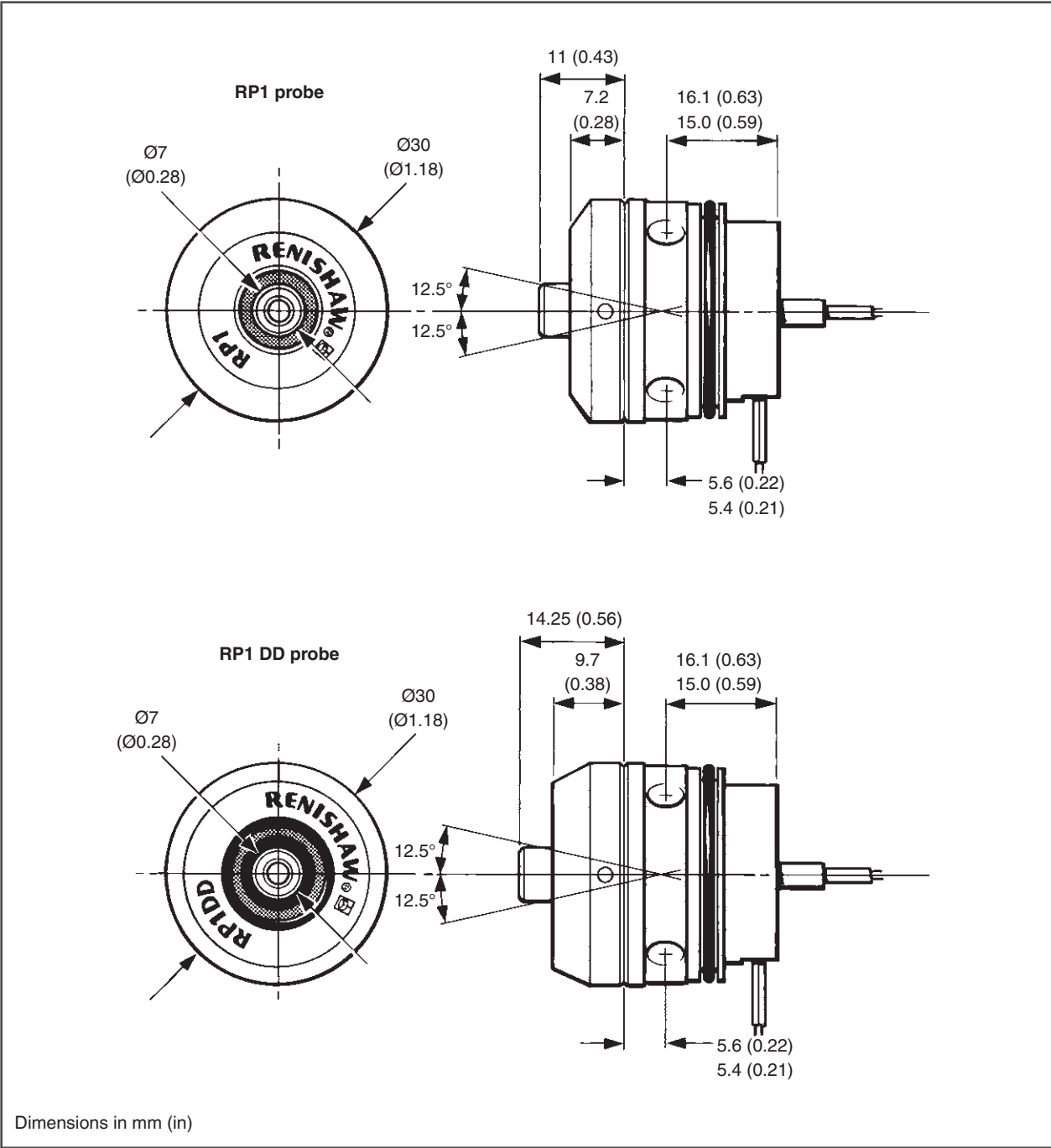
Principal application	Tool setting	
Transmission type	Hard-wired, or in conjunction with optical or radio transceiver modules	
Sense directions	±X, ±Y, +Z	
Repeatability	1.00 µm (40 µin) 2σ ¹	
Stylus trigger force ²		
XY low force	70 g (2.5 oz) minimum	
XY high force	125 g (4.4 oz) maximum	
+Z direction	610 g (21.5 oz)	
Stylus overtravel limits		
XY	12.5°	
+Z direction	4 mm (0.157 in)	
Environment	Storage temperature	-13 °C to +60 °C (+9 °F to +140 °F)
	Operating temperature	+5 °C to +60 °C (+41 °F to +140 °F)

¹ Performance specification is tested at a standard test velocity of 480 mm/min (18.9 in/min) with a 35 mm stylus. Significantly higher velocity is possible depending on application requirements.

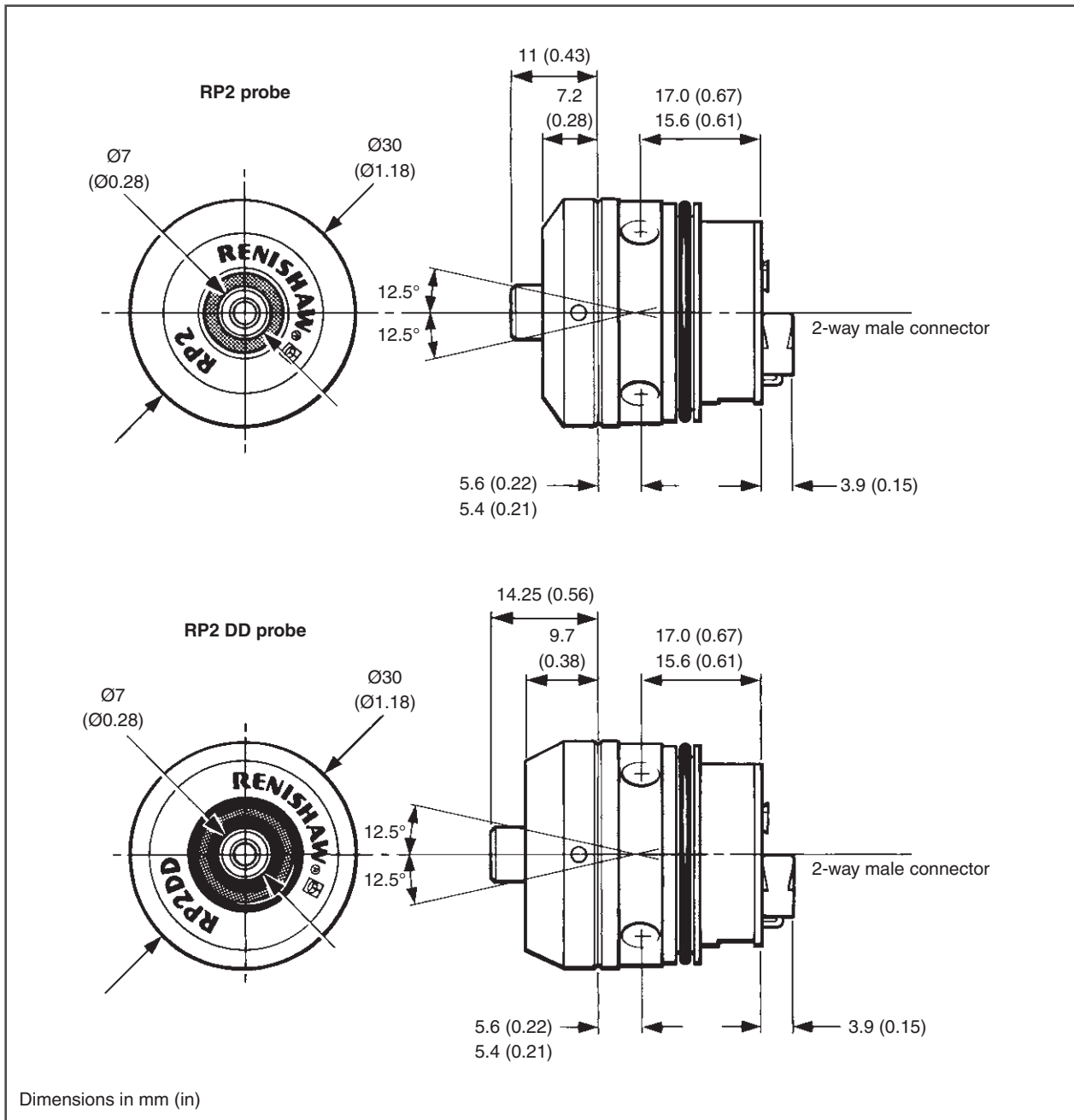
² Trigger force, which is critical in some applications, is the force exerted on the component by the stylus when the probe triggers. The maximum force applied will occur after the trigger point (overtravel). The force value depends on related variables including measuring speed, machine deceleration and latency.

For further information and the best possible application and performance support, contact Renishaw or visit www.renishaw.com/mt-support

RP1/RP1 DD dimensions



RP2/RP2 DD dimensions



Spare parts and accessories

A full range of spare parts and accessories is available. Contact Renishaw for a full list.

www.renishaw.com/contact

#renishaw

+44 (0) 1453 524524

uk@renishaw.com

© 1997–2024 Renishaw plc. All rights reserved. This document may not be copied or reproduced in whole or in part, or transferred to any other media or language by any means, without the prior written permission of Renishaw.

RENISHAW® and the probe symbol are registered trade marks of Renishaw plc. Renishaw product names, designations and the mark 'apply innovation' are trade marks of Renishaw plc or its subsidiaries. Other brand, product or company names are trade marks of their respective owners.

WHILE CONSIDERABLE EFFORT WAS MADE TO VERIFY THE ACCURACY OF THIS DOCUMENT AT PUBLICATION, ALL WARRANTIES, CONDITIONS, REPRESENTATIONS AND LIABILITY, HOWSOEVER ARISING, ARE EXCLUDED TO THE EXTENT PERMITTED BY LAW. RENISHAW RESERVES THE RIGHT TO MAKE CHANGES TO THIS DOCUMENT AND TO THE EQUIPMENT, AND/OR SOFTWARE AND THE SPECIFICATION DESCRIBED HEREIN WITHOUT OBLIGATION TO PROVIDE NOTICE OF SUCH CHANGES.

Renishaw plc. Registered in England and Wales. Company no: 1106260. Registered office: New Mills, Wotton-under-Edge, Glos, GL12 8JR, UK.

Part no.: H-2000-2025-03-A

Issued: 09.2024