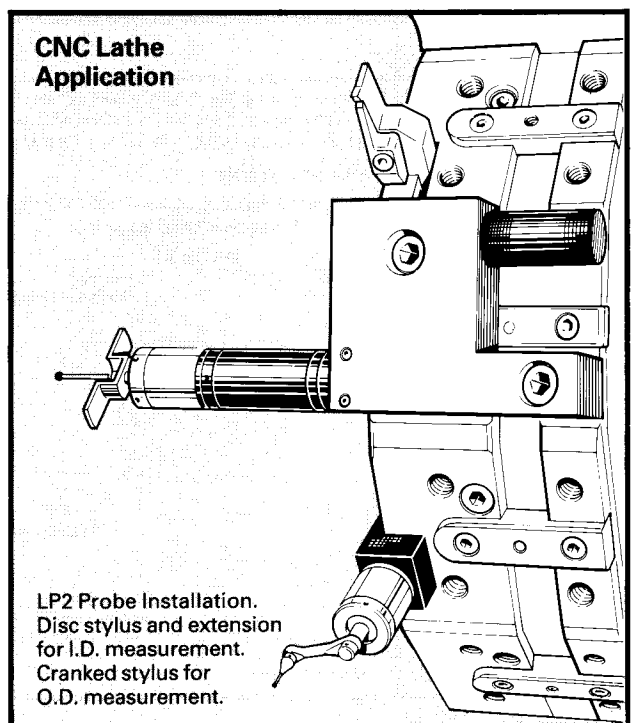
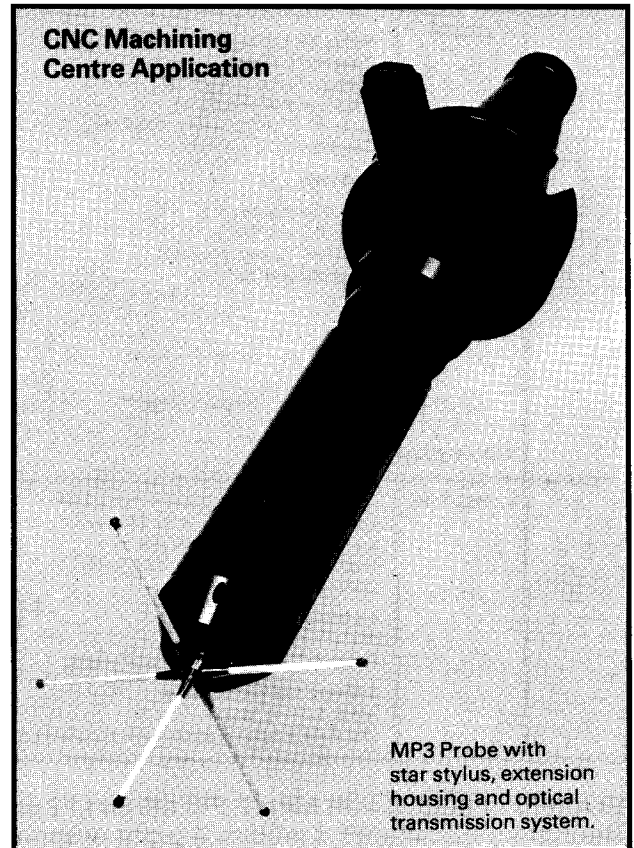


Adaptors, Extensions and Holders for Probes

The Modular Mounting System for Touch Trigger Probes

Adaptors allow the user to select the most suitable probe for each job. Notable design features are inherent in the system.

- The most versatile range available, developed from Renishaw's vast experience.
- Total probe access to all workpiece features, provides total machine control.
- Designed for quick and easy interchange of components.
- Automatic coupling of electrical circuit between modules.
- Extensions are light and stiff for good probe repeatability.
- Manufactured to the highest standards for trouble free operation.
- Sealed for long life operation in hostile machine environment.



Machining Centre Applications

– MP3 MP1/R and LP2 Probes

Parts List Please quote the Part No. when ordering equipment.

MOUNTING BLOCKS FOR MP3 PROBE (or LP2 probe with adaptor)

The system will accept 1-3 probes. A probe or cover must be fitted in each mounting position to complete the electrical circuit.

Type	Part No.	Description
	A/2053/8275	<p>3 Way Mounting Block complete with 2 separate wires, coloured blue and green, 7/0.2 mm PVC insulated each $\varnothing 1.2 \times 500$ (0.04 \times 19.6) long Combined OD 2.4 (0.08).</p> <p>2 covers.</p> <p>12 socket cap head screws M4 \times 0.7 – 35 long (3mm AF hexagon socket) for probe and covers.</p>
	A/2053/6468	<p>Cover</p>
	A/2053/7285	<p>1 Way Mounting Block complete with 2 separate wires, coloured blue and green, 7/0.2 mm PVC insulated each $\varnothing 1.2 \times 500$ (0.04 \times 19.6) long Combined OD 2.4 (0.08).</p> <p>4 socket cap head screws M4 \times 0.7 – 35 long (3mm AF hexagon socket) for probe.</p> <p>4 socket cap head screws M6 \times 1.0 – 16 long (6mm AF hexagon socket) for mounting block.</p>

MOUNTING BLOCK FOR MP1/R PROBE (or LP2 probe with adaptor)

The system will accept 1-3 probes. A probe or socket cover must be fitted in each mounting position to complete the electrical circuit.

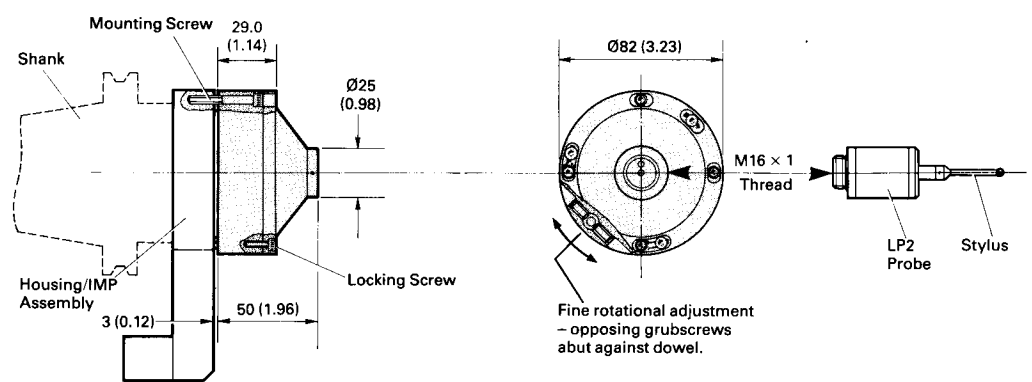
Type	Part No.	Description
	A/2051/4777	<p>3 Way Mounting Block complete with two probe seals, two wires coloured blue and green, 7/0.2 mm PVC insulated each $\varnothing 1.2 \times 500$ (0.04 \times 19.6) long Combined OD 2.4 (0.08).</p> <p>2 Shorting sockets</p> <p>12 socket cap head screws M4 \times 0.7 – 30 long (3mm AF hexagon socket) for probe.</p>
	A/1016/6363	<p>Shorting Socket</p>

dimensions in mm (inches)

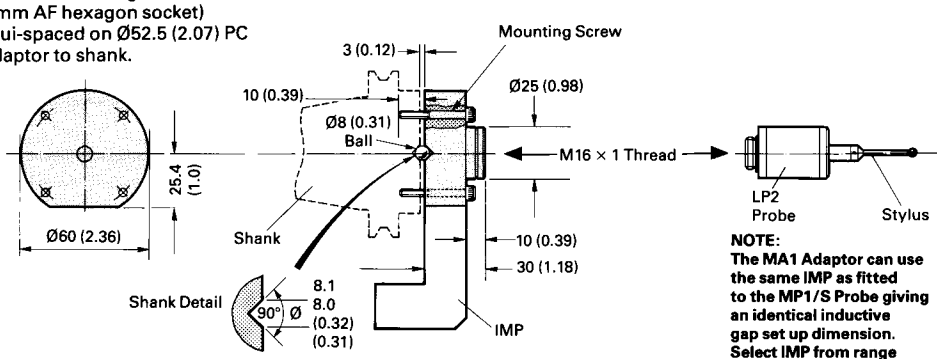
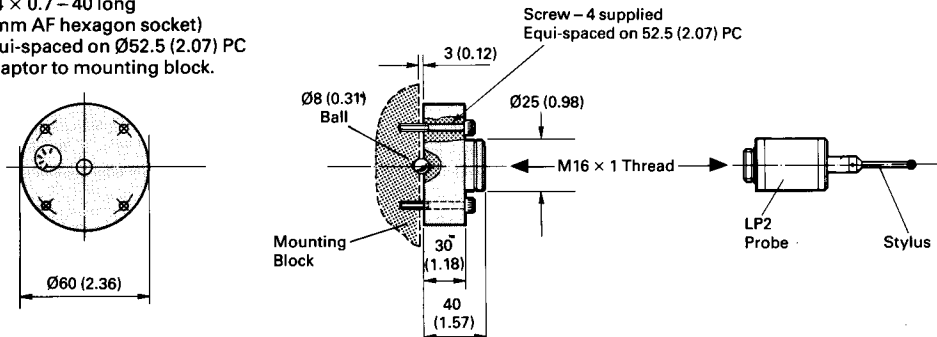
Machining Centre Applications – LP2 Probe

Parts List Please quote the Part No. when ordering equipment.

ADAPTOR ENABLES LP2 PROBE TO BE USED IN PLACE OF MP3 PROBE

Type	Part No.	Description
MA3-3	A/2063/7583	<p>Rotatable Adaptor Assembly – replaces MP3 probe complete with 4 socket cap head screws M4 × 0.7 – 30 long (3mm AF hexagon socket) Adaptor to Housing/IMP Assembly.</p> 

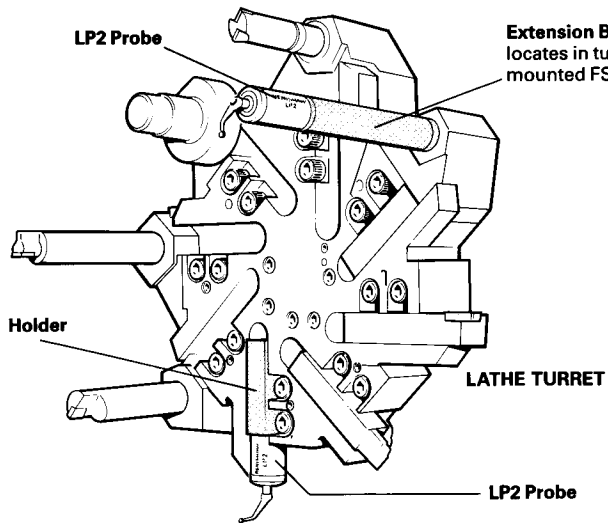
ADAPTORS ENABLE LP2 PROBE TO BE USED IN PLACE OF MP1/S or MP1/R PROBES

Type	Part No.	Description
MA1	A/2051/7080	<p>Adaptor – replaces MP1/S probe complete with Ø8 Ball 4 socket cap head screws M4 × 0.7 – 30 long (3mm AF hexagon socket) Equi-spaced on Ø52.5 (2.07) PC Adaptor to shank.</p> 
MA1-R	A/2051/7146	<p>Adaptor – replaces MP1/R probe complete with Ø8 Ball 4 socket cap head screws M4 × 0.7 – 40 long (3mm AF hexagon socket) Equi-spaced on Ø52.5 (2.07) PC Adaptor to mounting block.</p> 

dimensions in mm (inches)

Lathe Applications – LP2 Probe

Parts List Please quote the Part No. when ordering equipment.



Extension Bar
locates in turret
mounted FS1, FS2 or FS3.

FS1 – Essential for cranked styli
(Preferred for straight styli
and disc styli)
FS2 – For straight styli
FS3 – for straight or disc styli

MA4 90° ADAPTOR – FOR LATHE USE ONLY

Type	Part No	Description
MA4	A/2063/7600	90° Adaptor

EXTENSION BARS FOR LP2 PROBE

Type	Part No.	Description
LPE1	A/2063/7001	Extension Bar Ø25 × 50 long
LPE2	A/2063/7002	Extension Bar Ø25 × 100 long
LPE3	A/2063/7003	Extension Bar Ø25 × 150 long

SINGLE AXIS ADJUSTABLE HOLDER FOR LP2 PROBE

Type	Part No.	Description
FS3	A/2063/5308	Single Axis Adjustable Holder – Complete with two fixing screws

Installation
 Ø23.6 (0.929)
 23.5 (0.925)
 Depth 10 (0.39)
 MINIMUM

MACHINING REQUIRED ON FACE [A]
 1.5 (0.05) [A]
 1.7 (0.06)
 12 (0.47) MINIMUM

Section XX
 90°
 1.7 (0.07)
 1.5 (0.06)

Section ZZ
 39 (1.53)
 1.5 (0.05) × 15°
 Chamfer

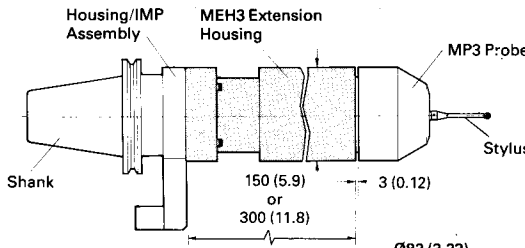
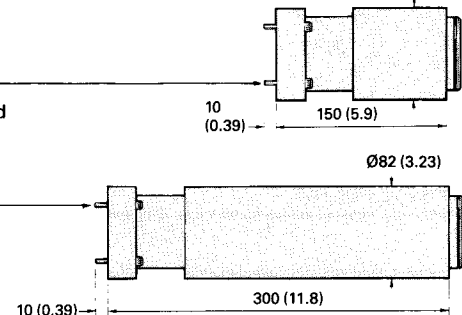
Wire from FS3
 Two separate wires, coloured blue and green, each 7/0.2mm. PVC insulated . O.D. 1.2 (0.5). Combined O.D. 2.4 (0.10).

dimensions in mm (inches)

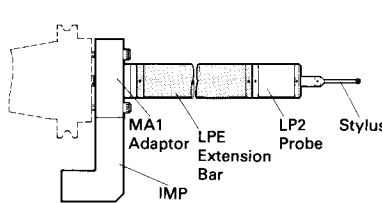
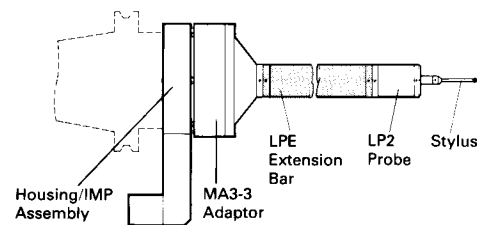
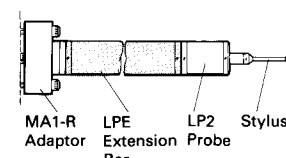
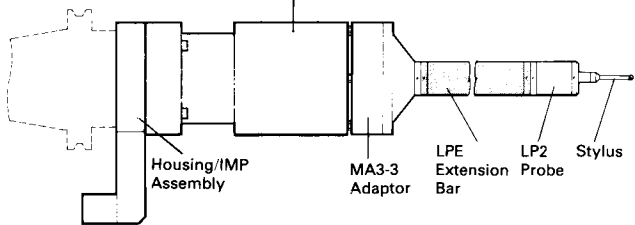
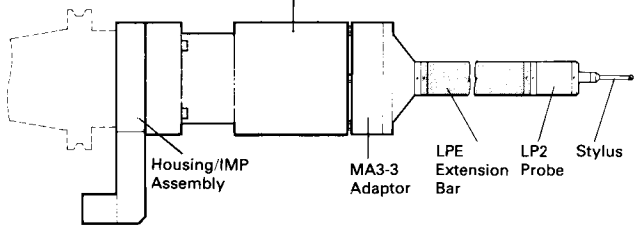
Machining Centre Applications – MP3 and LP2 Probes

Parts List Please quote the Part No. when ordering equipment.

EXTENSION HOUSINGS FOR MP3 PROBE

Type	Part No.	Description
MEH3-1	A/2053/7286	 <p>Extension Housing $\text{Ø}82 \times 150$ long complete with 4 screws</p> <p>Socket Cap Head Screws – 4 supplied M4 \times 0.7 – 35 long (3mm AF hexagon socket) Equi-spaced on $\text{Ø}72$ (2.83) PC.</p>
MEH3-2	A/2053/7287	 <p>Extension Housing $\text{Ø}82 \times 300$ long complete with 4 screws</p>

EXTENSION BARS FOR LP2 PROBE

Type	Part No.	Description
LPE1	A/2063/7001	  <p>Extension Bar $\text{Ø}25 \times 50$ long</p>
LPE2	A/2063/7002	  <p>Extension Bar $\text{Ø}25 \times 100$ long</p>
LPE3	A/2063/7003	 <p>Extension Bar $\text{Ø}25 \times 150$ long</p>

dimensions in mm (inches)

Lathe Applications – LP2 Probe

Parts List Please quote the Part No. when ordering equipment.

SOCKETS FOR LP2 PROBE

Type	Part No.	Description
FS1	A/2063/6697 P/SC11/0508	Adjustable Female Socket – complete with cover and two adjusting screws Adjusting Screw – Grubscrew M5 × 0.8 – 8mm long.
Cover	M-2063-7628	Protective Cover for FS1 and FS2. Protects against chips and coolant when probe is removed. Hand fitted, may be removed with LP2 spanner.
		<p>Installation The wiring and electrical components in the rear of FS1 and FS2 must be sealed against fluids.</p>
FS2	A/2063/5431	Fixed Female Socket complete with cover
Cover	M-2063-7628 shown above	
		<p>Installation The wiring and electrical components in the rear of FS1 and FS2 must be sealed against fluids.</p>
<p>Wire for FS1 and FS2 Two separate wires, coloured blue and green, each 1/0.4mm PTFE insulated OD 1.0mm max. Combined OD 2.0mm 500mm long.</p>		

HOLDERS FOR LP2 PROBE – Incorporating FS1 Adjustable Female Socket

Type	Part No.	Description
	A/2063/7199 A/2063/6612 A/2063/7200	
	A/2063/7291 A/2063/7434	
<p>Other sizes not shown are available at extra cost subject to confirmation from Renishaw.</p>		

dimensions in mm (inches)

Renishaw reserves the right to change specifications without notice.

Renishaw plc, New Mills, Wotton-under-Edge, Gloucestershire GL12 8JR, United Kingdom.

International Tel +44 1453 524524

International Fax +44 1453 524901

National Tel 01453 524524

Telex 437120 RENMET G

National Fax 01453 524901

email genenq@renishaw.co.uk

Internet <http://www.renishaw.com>

Renishaw Inc.
623 Cooper Court, Schaumburg,
Illinois 60173, U.S.A.
Tel +1 847 843 3666
Fax +1 847 843 1744

Renishaw GmbH,
Karl-Benz Strasse 12,
72124 Piezhausen, Germany.
Tel +49 712 797960
Fax +49 712 788237

Renishaw KK, 6F & 7F Anzai Building,
1-12, Hatagaya, 1-chome
Shibuya-ku, Tokyo 151-0072, Japan.
Tel +81 3 5350 2201
Fax +81 3 5350 2207

Renishaw S.A., 15 rue Albert Einstein,
Champs sur Marne, 77437 Marne la Vallée,
Cedex 2, France.
Tel +33 1 64 61 84 84
Fax +33 1 64 61 65 26

Renishaw Iberica S.A. Edificio Oceano,
Calle Garrotxa 10-12, Parque Mas Blau,
08820 Prat de Llobregat, Barcelona, Spain.
Tel +34 3 478 21 31
Fax +34 3 478 16 08

Renishaw A.G.,
Poststrasse 5,
CH 8808 Pfäfers,
Switzerland.
Tel +41 55 410 66 66
Fax +41 55 410 66 69

Renishaw S.p.A.,
Via dei Prati 5,
10044 Pianezza, Torino,
Italy.
Tel +39 11 9 66 10 52
Fax +39 11 9 66 40 83

Renishaw Latino Americana Ltda.,
Calçada dos Cristantemos 22,
C.C. Alphaville, C.e.p. 06453-000
Barueri, SP, Brazil.
Tel +55 11 7295 2866
Fax +55 11 7295 1641

Renishaw (Hong Kong) Ltd.,
Unit 4A, 3/F, New Bright Building,
11 Sheung Yuet Road, Kowloon Bay,
Hong Kong.
Tel +852 2753 0638
Fax +852 2756 8786

Renishaw (Hong Kong) Ltd. - Representative Office,
The Peoples' Republic of China
Beijing, Tel +86 10 6461 2689
Fax +86 10 6461 2687
Indonesia
Jakarta, Tel +62 21 424 3934
Fax +62 21 424 3934
Singapore
Tel +65 438 2779
Fax +65 438 2780