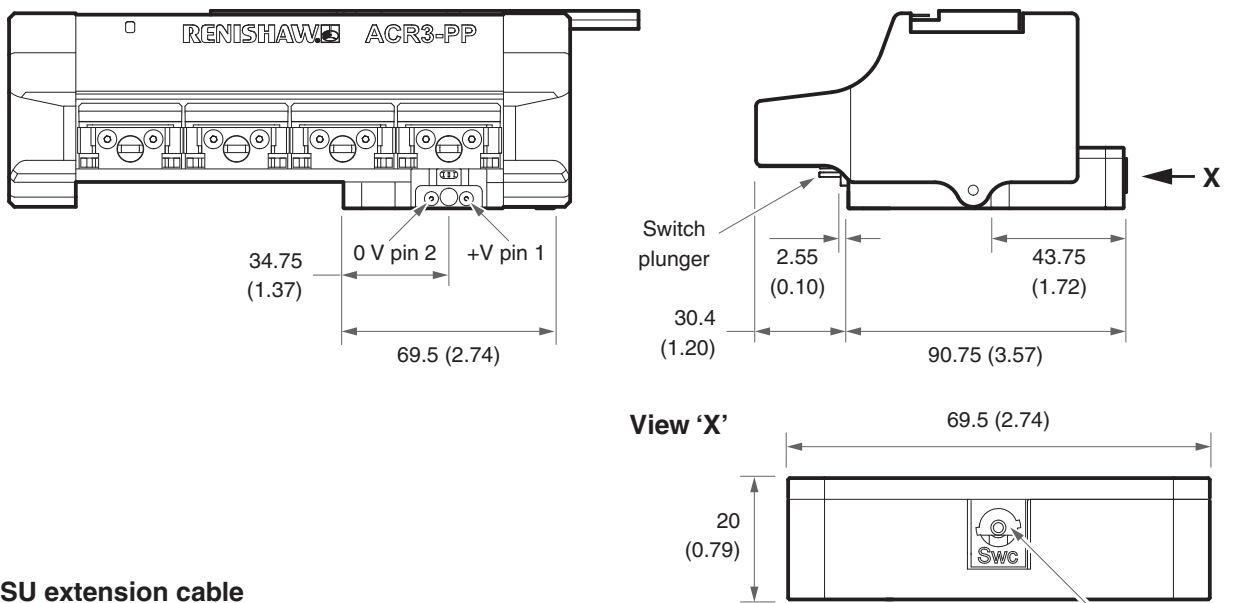


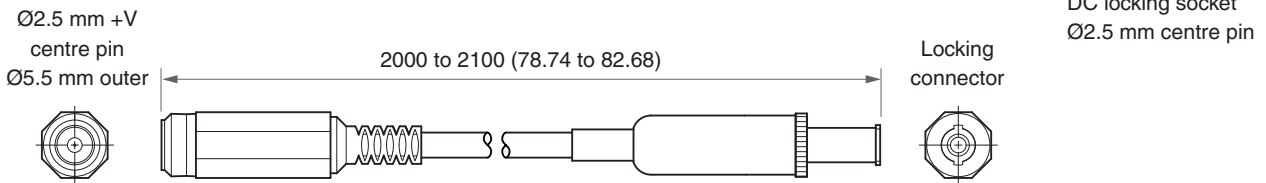
ACR3 with powered port addendum

This rack provides power to probes or sensors while stored in the powered port. The powered port can only be used with specially adapted probes and sensors. The port provides a pass-through connection between the power supply and probe or sensor. Switched and unswitched variants are available. The switched version is supplied with a 2 m power supply extension cable, with a locking connector to provide a secure connection to the port. The extension cable is also available separately.

The user must supply a suitable power supply unit conforming to the specifications in the table below.



PSU extension cable



Dimensions in mm (in)

ACR3 powered port power supply unit specification

Voltage supply	12 V to 30 V DC to suit probe or sensor. Previous versions of the ACR3 powered port were supplied with a 12 V DC PSU.	
Current	Current draw through the port must not exceed 1 A.	
Connector	Ø2.5 mm DC +V centre pin	Ø5.5 mm outer
Electrical safety	A single fault tolerant PSU approved to BS EN IEC 62368-1 must be used, and connected to a supply incorporating a protective earth conductor.	

www.renishaw.com/ACR3

#renishaw

+44 (0) 1453 524524

uk@renishaw.com

© 2023 Renishaw plc. All rights reserved. RENISHAW® and the probe symbol are registered trade marks of Renishaw plc. Renishaw product names, designations and the mark 'apply innovation' are trade marks of Renishaw plc or its subsidiaries. Other brand, product or company names are trade marks of their respective owners. Renishaw plc. Registered in England and Wales. Company no: 1106260. Registered office: New Mills, Wotton-under-Edge, Glos, GL12 8JR, UK.

WHILE CONSIDERABLE EFFORT WAS MADE TO VERIFY THE ACCURACY OF THIS DOCUMENT AT PUBLICATION, ALL WARRANTIES, CONDITIONS, REPRESENTATIONS AND LIABILITY, HOWSOEVER ARISING, ARE EXCLUDED TO THE EXTENT PERMITTED BY LAW.

Part no.: H-1000-2114-01-A
Issued: 03.2023