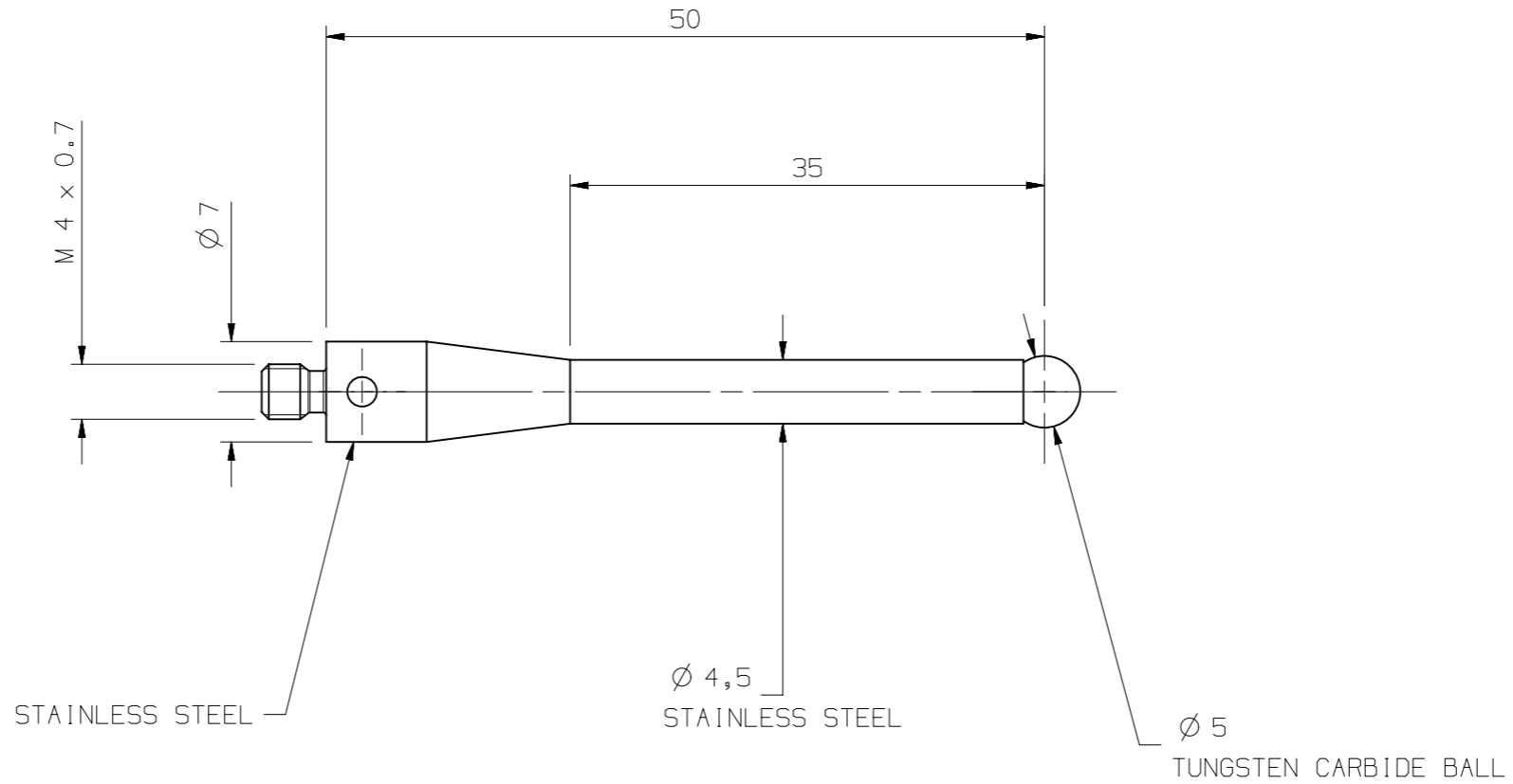


SCALE 1:1



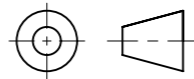
NOTE:
1. THE STYLUS IS ELECTRICALLY CONDUCTIVE

THIS IS A CUSTOMER DRAWING. DIMENSIONS ARE GENERALLY NOMINAL EXCEPT WHERE TOLERANCED.

TOLERANCED DIMENSIONS ARE CONSIDERED CRITICAL AND ARE INSPECTED BY OUR QUALITY DEPARTMENT PRIOR TO DESPATCH.

ALL DIMENSIONS ARE IN MILLIMETRES. DRAWING PRACTICE TO BS 8888.

3rd ANGLE PROJECTION



DO NOT SCALE

TITLE

M4 STY D5TC L50 EWL35 d4,5 SS

MATERIAL TYPE CODE

MATERIAL

ISSUE No.

—

DRAWN BY

PE

DRAWN DATE

MAR 12

SHEET

1 OF 1

CHECKED

JT

CONFIDENTIAL. THIS DRAWING IS THE PROPERTY OF © RENISHAW plc, AND MAY NOT BE COPIED OR USED FOR ANY PURPOSE, OTHER THAN THAT FOR WHICH IT IS SUPPLIED, WITHOUT THE EXPRESS WRITTEN AUTHORITY OF RENISHAW plc.

RENISHAW®

Wotton - under - Edge
Glos. England.
GL12 8JR

SCALE
U.O.S.
2:1

DRAWING No.

N-5000-7670-04-B