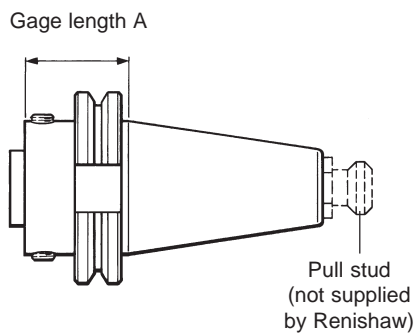


Taper shanks for machine tool probes

- Please quote the part number when ordering equipment
- Dimensions mm (in)
- If you cannot find the shank you require, please contact your local Renishaw office for further information

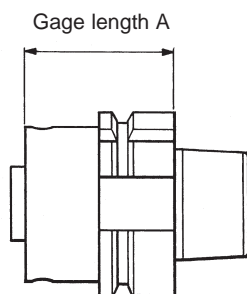
Shanks for RMP60 (non-shank switch version) – MP10 – MP10E – MP11 – MP12 – MP16 (non-shank switch version with adaptor) – MP18 (non-shank switch version) – MP700 – MP700E probes

Taper shanks



Shank type	Part number	Taper	Gage length A
DIN 69871A	M-2045-0064	30	35.25 (1.388)
	M-2045-0065	40	35.25 (1.388)
	M-2045-0067	50	35.25 (1.388)
BT - 1982	M-2045-0077	30	27.50 (1.083)
	M-2045-0027	40	32.00 (1.260)
	M-2045-0038	45	33.00 (1.299)
	M-2045-0073	50	38.00 (1.496)
ANSI CAT B5.50-1985 (Imperial pull stud thread)	M-2045-0068	30	48.00 (1.890)
	M-2045-0069	40	35.25 (1.388)
	M-2045-0138	45	35.35 (1.392)
	M-2045-0071	50	35.25 (1.388)
DIN 2080 (Manual tool change)	M-2045-0132	30	20.00 (0.787)
	M-2045-0024	40	13.60 (0.535)
	M-2045-0026	50	15.20 (0.598)

HSK shanks



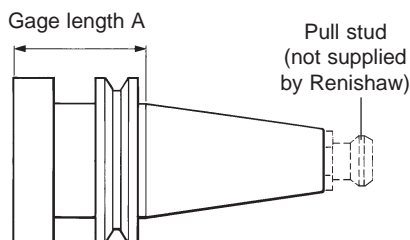
Shank type	Part number	HSK	Gage length A
DIN 69893 HSK Form A	M-2045-0232	A32	46.00 (1.811)
	M-2045-0186	A40	47.00 (1.850)
	M-2045-0187	A50	50.00 (1.969)
	M-2045-0188	A63	53.00 (2.087)
	M-2045-0189	A80	50.00 (1.969)
	M-2045-0190	A100	61.00 (2.402)
DIN 69893 HSK Form E	M-2045-0204	E40	38.00 (1.496)
DIN 69893 HSK Form F	M-2045-0287	F63	53.00 (2.087)

Data sheet

Shanks for machine tool probes

- Please quote the part number when ordering equipment
- Dimensions mm (in)
- If you cannot find the shank you require, please contact your local Renishaw office for further information

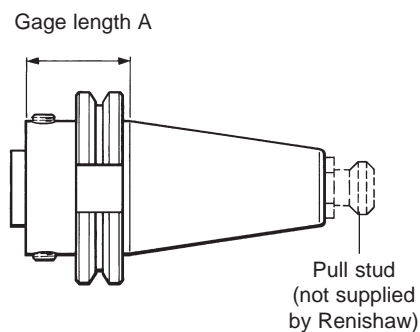
Shanks for MP7 – MP9 probes



Shank type	Part number	Taper	Gage length A
BT - 1982	M-2033-6445	40	40.00 (1.575)
	M-2033-6446	45	45.00 (1.772)
	M-2033-6447	50	50.00 (1.969)
ANSI CAT B5.50-1985 (Imperial pull stud thread)	M-2033-6439	40	35.00 (1.378)
	M-2033-6440	45	50.00 (1.969)
	M-2033-6441	50	35.25 (1.388)

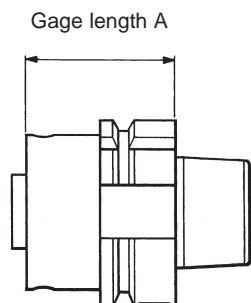
Shanks for OMP40 probes

Taper shanks



Shank type	Part number	Taper	Gage length A
DIN 69871A	M-4071-0048	30	35.25 (1.388)
	M-4071-0069	40	41.60 (1.638)
	M-4071-0070	50	50.00 (1.969)
BT - 1982	M-4071-0049	30	27.00 (1.063)
	M-4071-0057	40	32.00 (1.260)
	M-4071-0071	50	50.00 (1.969)
ANSI CAT B5.50-1985 (Imperial pull stud thread)	M-4071-0050	30	35.30 (1.390)
	M-4071-0058	40	35.30 (1.390)
	M-4071-0072	50	35.30 (1.390)

HSK shanks

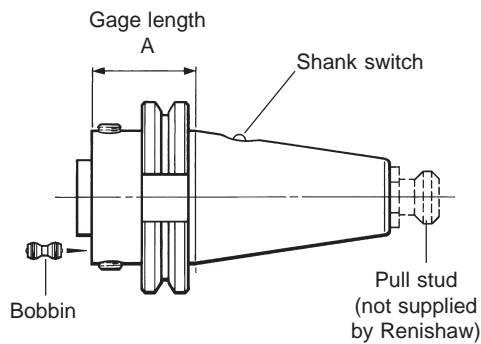


Shank type	Part number	HSK	Gage length A
DIN 69893 HSK Form A	M-4071-0045	A32	35.00 (1.378)
	M-4071-0046	A40	35.25 (1.388)
	M-4071-0047	A50	42.25 (1.663)
	M-4071-0129	A63	42.00 (1.654)
DIN 69893 HSK Form C	M-4071-0085	C40	35.25 (1.388)
DIN 69893 HSK Form E	M-4071-0044	E25	21.25 (0.837)
	M-4071-0055	E32	35.00 (1.378)
	M-4071-0054	E40	35.25 (1.388)
	M-4071-0077	E50	42.00 (1.654)
	M-4071-0078	E63	42.00 (1.654)
DIN 69893 HSK Form F	M-4071-0079	F63	42.00 (1.654)

Shanks for RMP60 probes when used in shank switch configuration

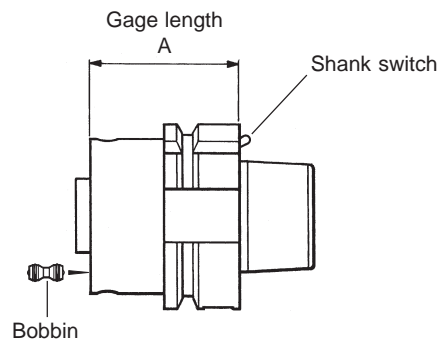
- Please quote the part number when ordering equipment
- Shanks are supplied in a natural finish
- Bobbin supplied with shank
- Dimensions mm (in)
- If you cannot find the shank you require, please contact your local Renishaw office for further information

Taper shanks



Shank type	Part number	Taper	Gage length A
DIN 69871A	A-4038-0231	30	65.00 (2.559)
	A-4038-0053	40	35.25 (1.388)
	A-4038-0232	50	41.00 (1.614)
BT - 1982	A-4038-0233	30	65.00 (2.559)
	A-4038-0234	40	35.25 (1.388)
	A-4038-0235	50	41.00 (1.614)
ANSI CAT B5.50-1985 (Imperial pull stud thread)	A-4038-0236	30	65.00 (2.559)
	A-4038-0237	40	35.25 (1.388)
	A-4038-0238	50	35.25 (1.388)

HSK shanks



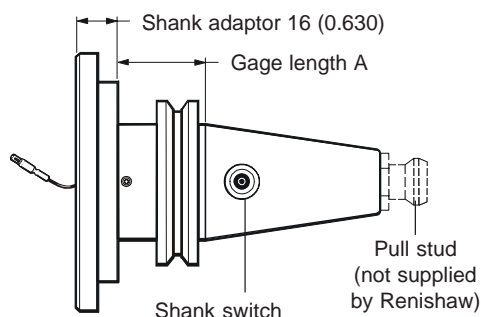
Shank type	Part number	HSK	Gage length A
DIN 69893 HSK Form A	A-4038-0070	A40	65.00 (2.559)
	A-4038-0050	A50	62.00 (2.441)
	A-4038-0063	A63	50.00 (1.969)
	A-4038-0241	A80	42.50 (1.673)
	A-4038-0242	A100	45.50 (1.791)
DIN 69893 HSK Form E	A-4038-0243	E40	65.00 (2.559)
	A-4038-0244	E50	62.00 (2.441)
	A-4038-0245	E63	50.00 (1.969)

Bobbin for shank switch configuration



Part number
A-4038-0303

Shanks for MP16 probes (shank switch version)

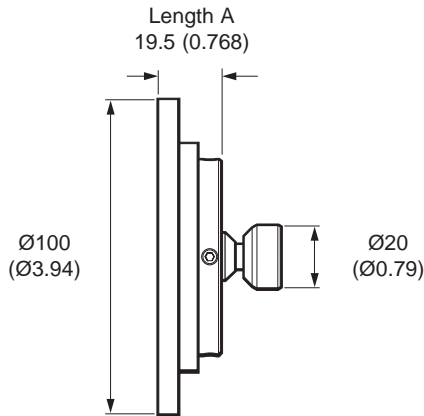


Shank type	Part number	Taper	Gage length A
BT - 1982	A-2137-0476	40	35.00 (1.378)
	A-2137-0477	50	30.00 (1.181)
ANSI CAT B5.50-1985 (Imperial pull stud thread)	A-2137-0473	40	35.00 (1.378)
	A-2137-0474	50	35.00 (1.378)

- Please quote the part number when ordering equipment
- Dimensions mm (in)

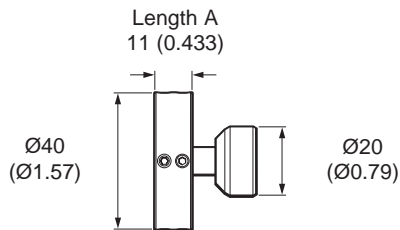
Shank adaptor plates

Shank adaptor to fit MP16 radio probe on to MP10 – MP10E – MP11 – MP12 – MP18 (non-shank switch version) – MP700 – MP700E type shanks



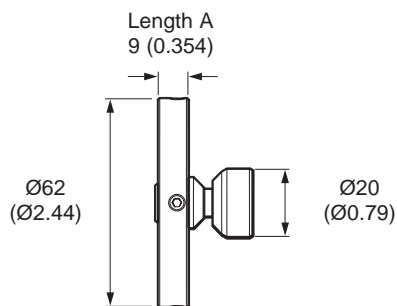
Part number	Length A
A-2056-0979	19.5 (0.768)

Shank adaptor to fit OMP40 probe on to MP10 – MP10E – MP11 – MP12 – MP18 (non-shank switch version) – MP700 – MP700E type shanks



Part number	Length A
A-4071-0031	11 (0.433)

Shank adaptor to fit MP10 probe on to MP10 – MP10E – MP11 – MP18 (non-shank switch version) – MP700 – MP700E type shanks



Part number	Length A
A-2030-0244	9 (0.354)

For worldwide contact details, please visit our
 main website at www.renishaw.com/contact



H - 2000 - 2092 - 02 - A