

RCP repair kit

Renishaw worldwide

Australia T +61 3 9521 0922 E australia@renishaw.com	India T +91 80 25320 144 E india@renishaw.com	South Korea T +82 2 2108 2830 E southkorea@renishaw.com
Austria T +43 (0) 2236 379790 E austria@renishaw.com	Israel T +972 4 953 6595 E israel@renishaw.com	Spain T +34 93 663 3420 E spain@renishaw.com
Brazil T +55 11 4195 2866 E brazil@renishaw.com	Italy T +39 011 966 10 52 E italy@renishaw.com	Sweden T +46 (0)8 584 90 880 E sweden@renishaw.com
The People's Republic of China T +86 10 8448 5306 F +86 10 8448 1528	Japan T +81 3 5366 5315 (or 5324) E japan@renishaw.com	Switzerland T +41 55 415 50 60 E switzerland@renishaw.com
Canada T +1 905 828 0104 E canada@renishaw.com	Malaysia T +60 3 5631 4420 E malaysia@renishaw.com	Taiwan T +886 4 2251 3665 E taiwan@renishaw.com
Czech Republic T +420 548 216 553 E czech@renishaw.com	The Netherlands T +31 76 543 11 00 E benelux@renishaw.com	Thailand T +66 2746 9811 E thailand@renishaw.com
France T +33 1 64 61 84 84 E france@renishaw.com	Poland T +48 22 577 1180 E poland@renishaw.com	Turkey (Representative Office) T +90 (216) 380 92 40 E turkiye@renishaw.com
Germany T +49 (0) 7127 981-0 E germany@renishaw.com	Russia T +7 495 231 1677 E russia@renishaw.com	UK (Head Office) T +44 (0)1453 524524 E uk@renishaw.com
Hong Kong T +852 2753 0638 E hongkong@renishaw.com	Singapore T +65 6897 5466 E singapore@renishaw.com	USA T +1 847 286 9953 E usa@renishaw.com
Hungary T +36 23 502 183 E hungary@renishaw.com	Slovenia T +386 (1) 527 2100 E mail@rls.si	For all other countries T +44 1453 524524 E international@renishaw.com



© 2007 Renishaw plc. All rights reserved.

This document may not be copied or reproduced in whole or in part, or transferred to any other media or language, by any means, without the prior written permission of Renishaw.

The publication of material within this document does not imply freedom from the patent rights of Renishaw plc.

Disclaimer

Considerable effort has been made to ensure that the contents of this document are free from inaccuracies and omissions. However, Renishaw makes no warranties with respect to the contents of this document and specifically disclaims any implied warranties. Renishaw reserves the right to make changes to this document and to the product described herein without obligation to notify any person of such changes.

Trademarks

RENISHAW® and the probe emblem used in the RENISHAW logo are registered trademarks of Renishaw plc in the UK and other countries.

apply innovation is a trademark of Renishaw plc.

All other brand names and product names used in this document are trade names, service marks, trademarks, or registered trademarks of their respective owners.

US 5,404,649

US 5,327,657

EP 0548328

Patents

Claims under warranty must be made from authorised service centres only, which may be advised by the supplier or distributor.

Warranty

Renishaw plc warrants its equipment for a limited period (as set out in our Standard Terms and Conditions of Sale) provided that it is installed exactly as defined in associated Renishaw documentation.

Prior consent must be obtained from Renishaw if non-Renishaw equipment (e.g. interfaces and/or cabling) is to be used or substituted. Failure to comply with this will invalidate the Renishaw warranty.

Changes to Renishaw products

Renishaw reserves the right to improve, change or modify its hardware or software without incurring any obligations to make changes to Renishaw equipment previously sold.

Care of equipment

Renishaw probes and associated systems are precision tools used for obtaining precise measurements and must therefore be treated with care.

Renishaw part no: H-1000-4081-01-A
Issued: 11 2007

Contents of RCP repair kit

Description	Quantity
RCP repair kit leaflet	1
REVO port rack spring	1
REVO port bobbin*	1
RCP folded lid*	1
O ring: Ø 2 mm x 1 mm*	1
Screw M2 x 5 CSK head largehead	5
M2 x 4 thin head screw*	1
Screwdriver Phillips PH0 x 35 mm (long)	1

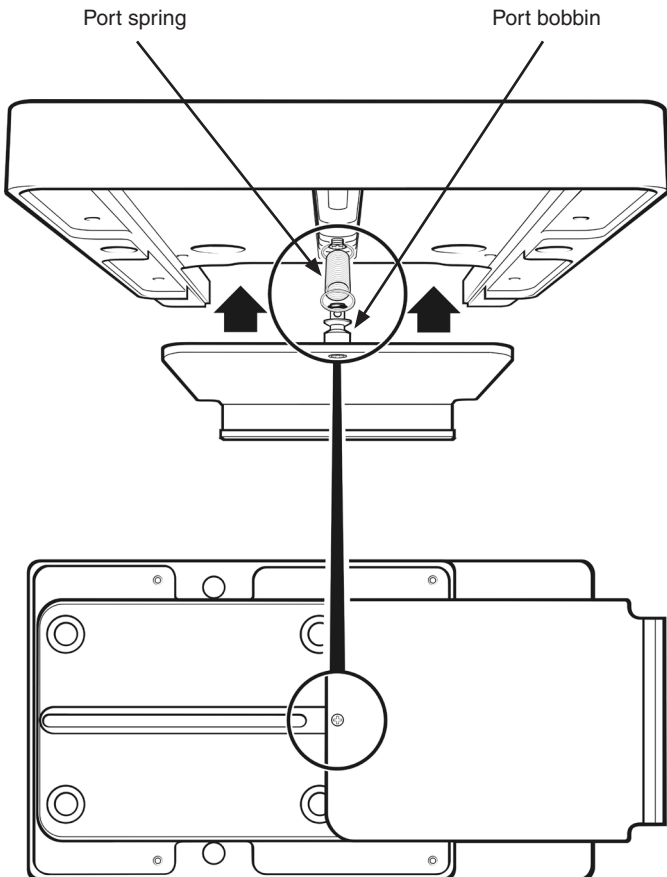
* Comes assembled.

NOTE: All tools required are supplied with the repair kit.

What can be repaired is:

- The port spring by replacement.
- The screws if damaged.
- The lid.

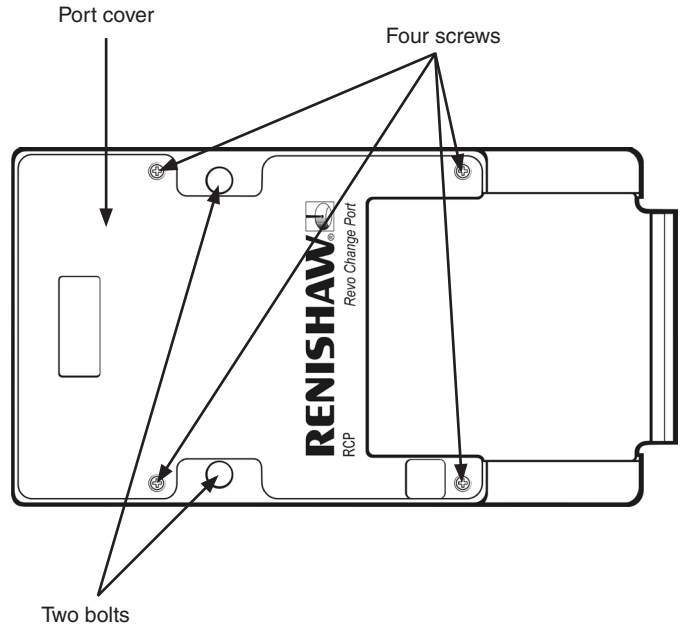
3. Remove the port spring from the port bobbin as shown below.



Using the RCP repair kit

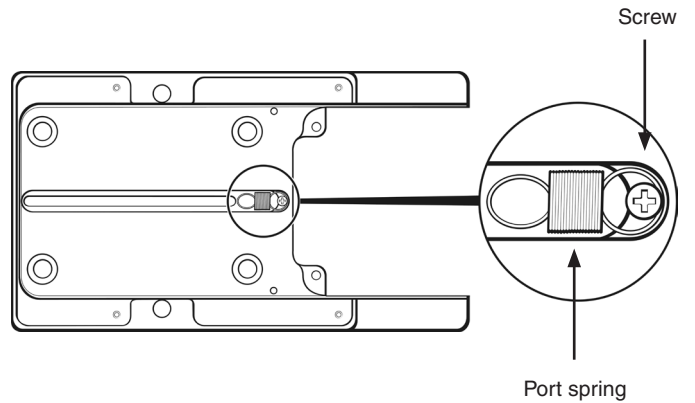
To repair the lid or spring, the following instructions should be followed.

1. Remove the two bolts that secure the RCP to the MRS rail.



2. Remove the four screws from the port cover (shown above).

4. Loosen the screw and remove the spring.



5. Repeat in reverse to fit the new spring, ensuring the screws are torqued to 0.35 Nm.
6. Once the new lid has been fitted, operate the lid manually and check that it opens and closes freely.

NOTE: Due to the use of self-tapping screws only a limited number of lid replacements is possible. Should any of the screws fail to achieve the torque specified, the unit should be replaced.

7. Refer to the **REVO™** hardware installation guide (Renishaw part number H-1000-5127) for instructions on how to fit the RCP to the MRS rail.