

# RELA30 absolute linear high-accuracy scale



**RELA30 ZeroMet™ absolute scale is manufactured from near zero thermal expansion material ensuring the high level of accuracy is maintained across the full temperature range.**

RELA30 offers certified  $\pm 1 \mu\text{m}$  accuracy for up to 1 metre, combined with low thermal expansion ZeroMet to suit the most demanding precision applications. The high performance of the scale is augmented by Renishaw's RESOLUTE absolute optical readhead offering  $\pm 40 \text{ nm}$  sub-divisional error, resolution to 1 nm, low noise (jitter) and a maximum speed of 100 m/s.

RELA30 provides good dirt immunity and ease of set-up, whilst offering levels of performance previously only available from delicate fine pitch systems.

- Single-track optical absolute scale
- Robust ZeroMet™ offers  $0.75 \pm 0.35 \mu\text{m}/\text{m}^\circ\text{C}$  (at 20 °C) thermal expansion plus ease of handling and installation
- $\pm 1 \mu\text{m}$  guaranteed accuracy up to 1 metre
- 30  $\mu\text{m}$  nominal scale pitch ensures exceptional motion
- Scale mounting options: self-adhesive or clips and clamps
- Available in lengths up to 1.7 m
- Compatible with RESOLUTE absolute readheads

## RELA30 scale specifications

|  |  |
|--|--|
| <b>Description</b>                                 | High stability, low-expansion nickel-iron alloy ZeroMet spar scale for use with RESOLUTE readheads           |
| <b>Pitch</b>                                       | 30 µm  |
| <b>Form (height x width)</b>                       | 1.6 mm x 14.9 mm (excluding adhesive)  |
| <b>Accuracy (at 20 °C)</b>                         | Certified to ±1 µm up to 1 m, ±1 µm/m for lengths > 1 m.<br>Calibration traceable to International Standards |
| <b>Coefficient of thermal expansion (at 20 °C)</b> | 0.75 ±0.35 µm/m/°C   |
| <b>Mass</b>  | 184 g/m  |
| <b>Available lengths</b>                           | 20 mm to 1.7 m (available in increments of 10 mm)  |
| <b>Measuring length</b>                            | See 'RELA30 installation drawing (adhesive mount)' on page 4   |
| <b>Mounting</b>                                    | Epoxy datum point and adhesive tape or mechanical datum clamp and mounting clips.                            |

For further information on installation and mounting options, refer to the *RESOLUTE RELA30/RSLA30 high-accuracy absolute linear encoder system* installation guide (Renishaw part no. M-9553-9128), which is available from the website at [www.renishaw.com/resolutedownloads](http://www.renishaw.com/resolutedownloads).

## Maximum scale lengths

The maximum scale length depends upon the serial interface, readhead resolution and the number of position bits.

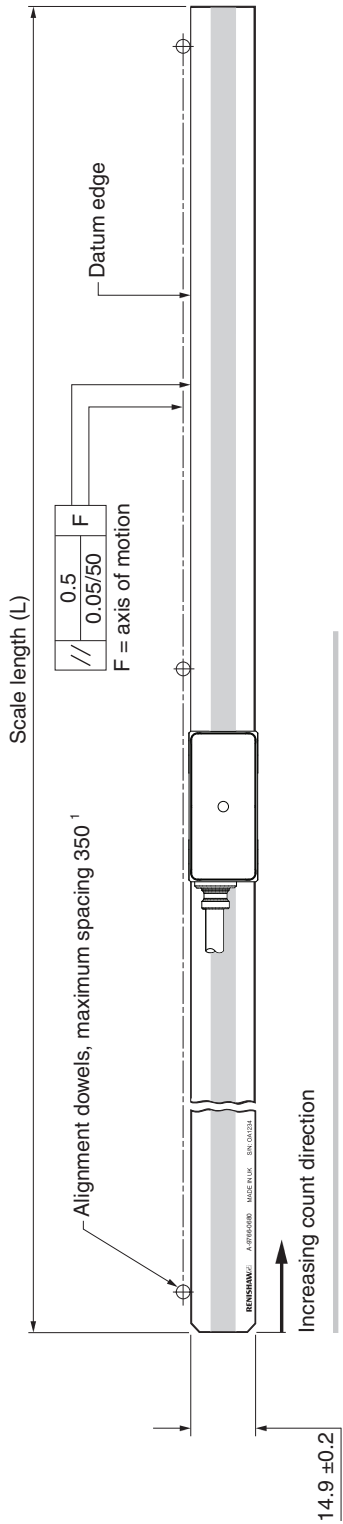
The table below shows the maximum scale length for each system:

| Serial interfaces        | Position bits | Resolution |        |       |        |
|--------------------------|---------------|------------|--------|-------|--------|
|                          |               | 1 nm       | 5 nm   | 50 nm | 100 nm |
| BiSS C (uni-directional) | 26 bit        | 67 mm      | 336 mm | 1.7 m | -      |
|                          | 32 bit        | 1.7 m      | 1.7 m  | 1.7 m | -      |
|                          | 36 bit        | 1.7 m      | 1.7 m  | 1.7 m | -      |
| FANUC                    | 37 bit        | 1.7 m      | -      | 1.7 m | -      |
| Mitsubishi               | 40 bit        | 1.7 m      | -      | 1.7 m | -      |
| Panasonic                | 48 bit        | 1.7 m      | -      | 1.7 m | 1.7 m  |
| Siemens DRIVE-CLiQ       | 28 bit        | -          | -      | 1.7 m | -      |
|                          | 34 bit        | 1.7 m      | -      | -     | -      |
| Yaskawa                  | 36 bit        | 1.7 m      | -      | 1.7 m | -      |

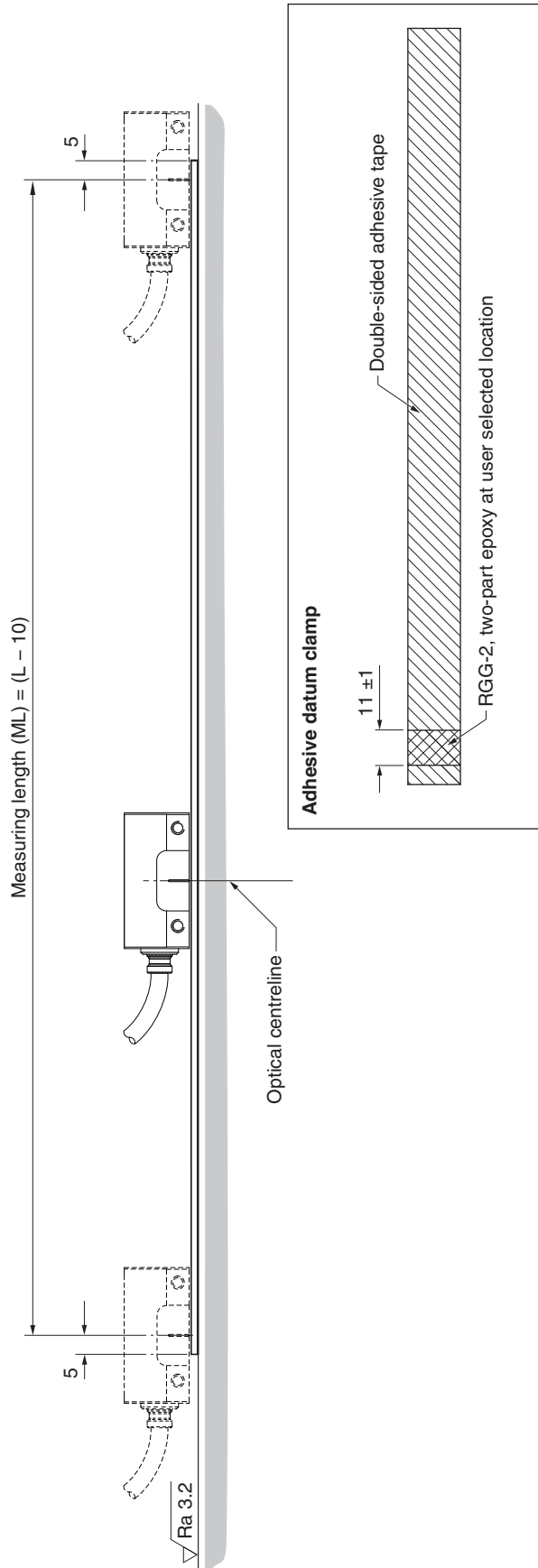
**NOTE:** RELA30 scale is available in lengths up to 1.7 m. For longer linear scale lengths consider RSLA30 scale (lengths up to 5 m), RTLA30 scale (lengths up to 21 m) or RKLA30-S scale (lengths up to 21 m). The data sheets for these alternative scales are available at [www.renishaw.com/resolutedownloads](http://www.renishaw.com/resolutedownloads).

# RELA30 installation drawing (adhesive mount)

Dimensions and tolerances in mm



**NOTE:** The RESOLUTE readhead can be mounted in either orientation. The encoder count direction is dependent only on the scale orientation.

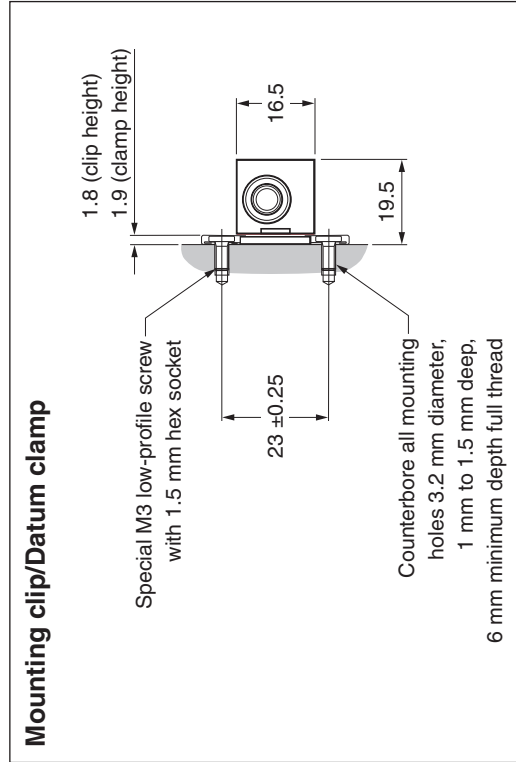
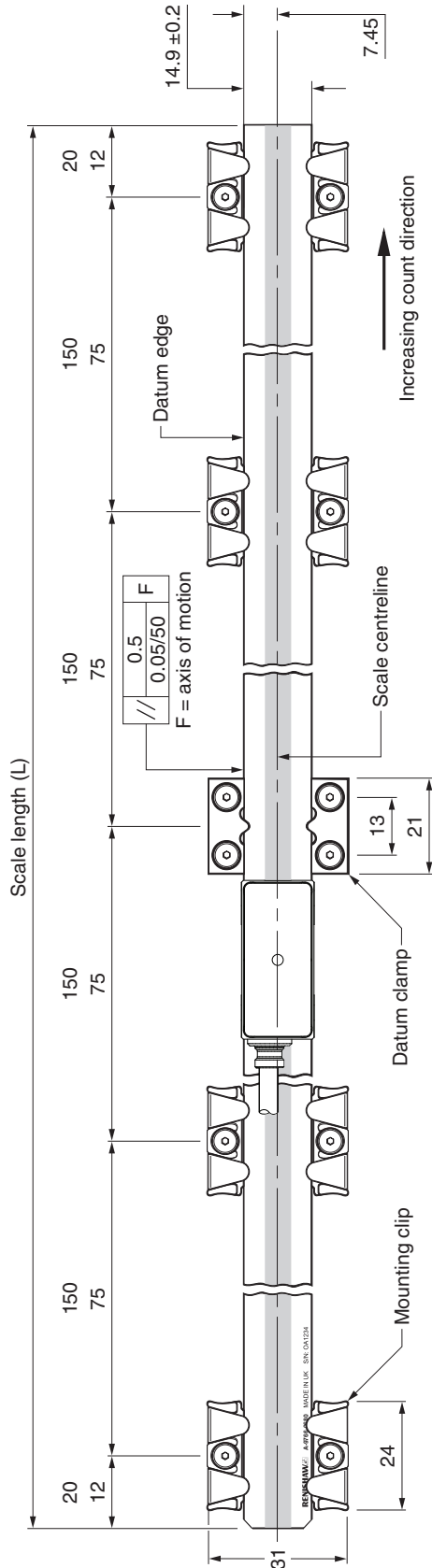


**NOTE:** Adhesive mounted scale should not be reused after installation.

<sup>1</sup> When the RELA30 scale is to be mounted vertically, position the dowels so that the datum edge is supported.

# RELA30 installation drawing (clip/clamp mounted)

Dimensions and tolerances in mm



**NOTES:**




- For lengths  $80 \leq L \leq 190$  ensure that the scale is clamped or clipped in the middle as well as at both ends.
- The installation should use the least number of clips as possible.
- For lengths not specified, contact your local Renishaw representative for further advice.
- Care should be taken to ensure sufficient clearance between the readhead/mounting bracket and clips/datum clamp.
- Only special low-profile screws should be used. Screws are provided with all clips/datum clamps and spares can be supplied if required.
- Measuring length (ML) = (L - 10).

## Scale part numbers





| Part number | Available lengths | Available in increments of | Ordering instructions  |
|-------------|-------------------|----------------------------|--|
| A-9766-xxxx | 20 mm to 1700 mm  | 10 mm                      | xxxx is the length in mm.<br>Ordering A-9766-0450 for example will result in a length of 450 mm. |

## Scale accessory part numbers

### Self-adhesive mounting accessories

| Part description  | Part number | Product image   |
|---|-------------|---|
| <b>Adhesive backing tape (5 m)</b><br>(nominal thickness 0.2 mm)  | A-9584-2111 |    |
| <b>Adhesive backing tape applicator</b><br>Aids the application of the adhesive backing tape to the scale | A-9584-0601 |   |
| <b>RGG-2 two part epoxy adhesive</b><br>Used to create a datum point                                      | A-9531-0342 |  |

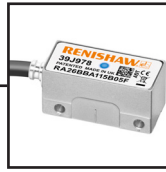
### Clip/clamp mounting accessories

| Part description                             | Part number | Product image   |
|--|-------------|---|
| <b>Mounting clips</b> <sup>1</sup>           | A-9584-2049 |  |
| <b>Datum clamp kit</b> <sup>1</sup>          | A-9584-2050 |  |
| <b>Replacement M3 screws</b><br>A pack of 25 | A-9584-2047 |  |
| <b>Spare clip setting shim</b>               | M-9584-0928 |  |

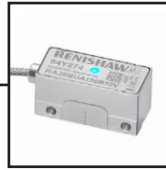
<sup>1</sup> Ultra-high vacuum (UHV) and extra wide clip and clamp accessories are available. Contact your local Renishaw representative for more information.

## Compatible products

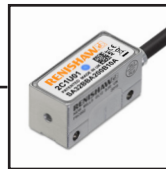
RELA30



RESOLUTE standard readheads



RESOLUTE UHV  
(Ultra-high vacuum) readheads



RESOLUTE FS  
(Functional Safety) readheads <sup>1</sup>


<sup>1</sup> Only adhesive mounted RELA30 scales are Functional Safety compatible. RELA30 mounted with clips and clamps are not approved for Functional Safety systems.

[www.renishaw.com/contact](http://www.renishaw.com/contact)



#renishaw

+44 (0) 1453 524524

 [uk@renishaw.com](mailto:uk@renishaw.com)

© 2009–2025 Renishaw plc. All rights reserved. This document may not be copied or reproduced in whole or in part, or transferred to any other media or language by any means, without the prior written permission of Renishaw.

RENISHAW® and the probe symbol are registered trade marks of Renishaw plc. Renishaw product names, designations and the mark 'apply innovation' are trade marks of Renishaw plc or its subsidiaries. BiSS® is a registered trade mark of iC-Haus GmbH. DRIVE-CLIQ is a registered trademark of Siemens. Other brand, product or company names are trade marks of their respective owners.

WHILE CONSIDERABLE EFFORT WAS MADE TO VERIFY THE ACCURACY OF THIS DOCUMENT AT PUBLICATION, ALL WARRANTIES, CONDITIONS, REPRESENTATIONS AND LIABILITY, HOWSOEVER ARISING, ARE EXCLUDED TO THE EXTENT PERMITTED BY LAW. RENISHAW RESERVES THE RIGHT TO MAKE CHANGES TO THIS DOCUMENT AND TO THE EQUIPMENT, AND/OR SOFTWARE AND THE SPECIFICATION DESCRIBED HEREIN WITHOUT OBLIGATION TO PROVIDE NOTICE OF SUCH CHANGES.

Renishaw plc. Registered in England and Wales. Company no: 1106260. Registered office: New Mills, Wotton-under-Edge, Glos, GL12 8JR, UK.

Part no.: L-9517-9393-05-C

Issued: 01.2025