

# LTS (length tool setter)

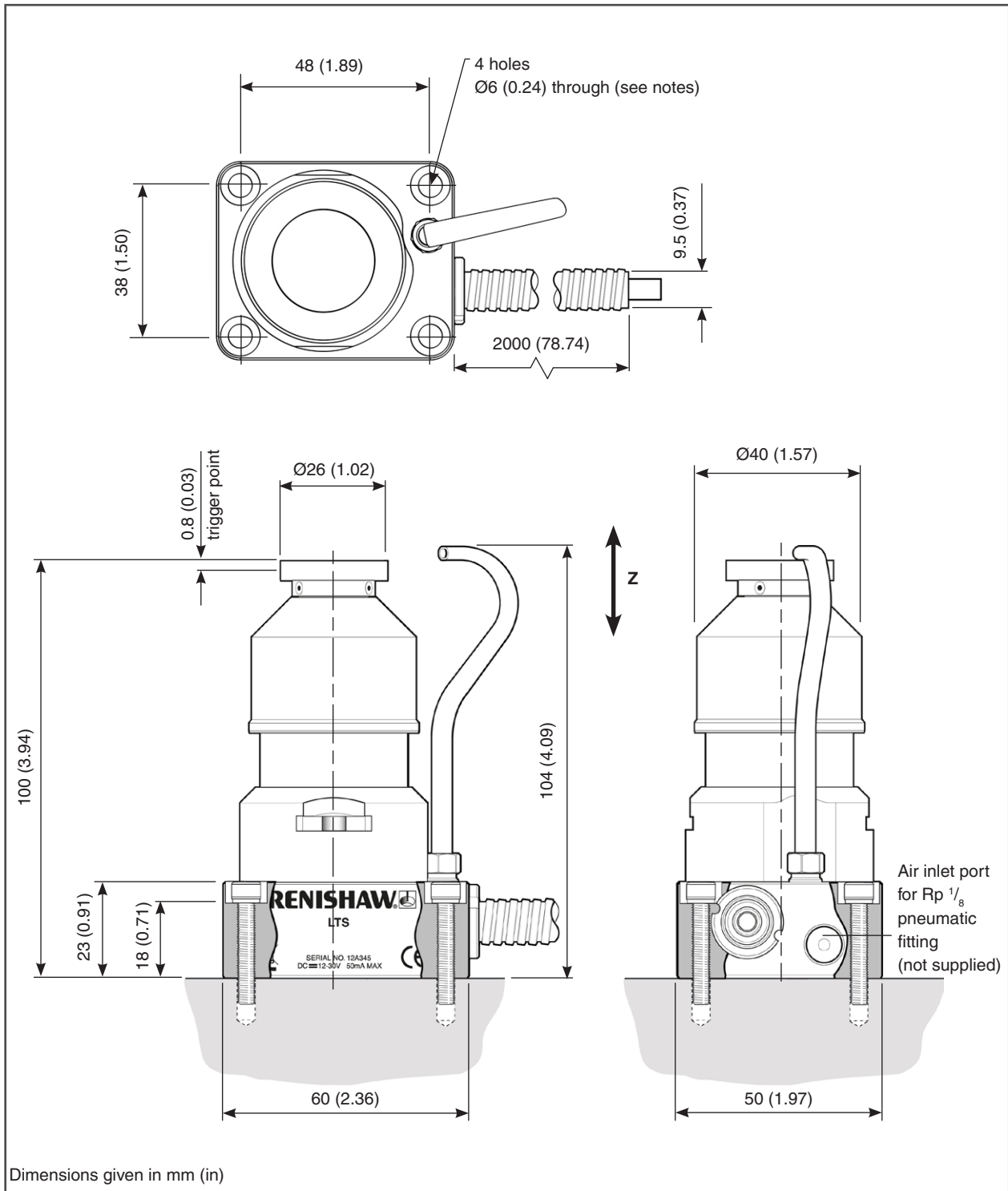


## Specification

|   |   |   |
|---|---|---|
| <b>Principal application</b>                  | Tool length setting, broken tool detection and thermal compensation on all sizes of CNC machines. |   |
| <b>Tool compatibility</b>                     | Static cutting tools down to Ø0.1 mm (Ø0.004 in).   |   |
| <b>Dimensions</b>                             | Height  | 100 mm (3.93 in) nominal                                    |
|   | Width   | 60 mm (2.36 in)   |
|   | Depth   | 50 mm (1.96 in)   |
|   | Contact pad   | Ø26 mm (1.02 in)  |
| <b>Weight</b>                                 | Including cable and conduit   | 726 g (25.61 oz)<br>835 g (29.45 oz) – raised air blast     |
| <b>Transmission type</b>                      | Hard-wired  |   |
| <b>Interface</b>                              | Integrated interface 12 to 30 Vdc capable of supplying 50 mA minimum.                             |   |
| <b>Cable</b>                                  | Specification   | Ø5 mm (0.2 in), 7-core screened cable, each core 7 × 0.1 mm |
|   | Length  | 8 m (26.24 ft)  |
|   | Dynamic bend radius   | 35 mm (1.38 in) minimum                                     |
| <b>Sense directions</b>                       | +Z axis   |   |
| <b>Repeatability</b>                          | 0.75 µm (30 µin) 2σ   |   |
| <b>Trigger force</b>                          | 3 N / 306 gf (10.79 ozf) Z direction  |   |
| <b>Trigger position (from rest)</b>           | Z axis  | 0.8 mm (0.03 in) nominal                                    |
| <b>Overtravel switch position (from rest)</b> | Z axis  | 7.5 mm (0.29 in) nominal                                    |
| <b>Hard stop position (from rest)</b>         | Z axis  | 12 mm (0.47 in) nominal                                     |
| <b>Mounting</b>                               | M5 × 25 mm cap head screws (× 4) – (not supplied)   |   |
| <b>Environment</b>                            | IP rating   | IPX6, IPX8, BS EN 60529:1992+A2:2013                        |
|   | Storage temperature   | -25 °C to +70 °C (-13 °F to +158 °F)                        |
|   | Operating temperature   | +5 °C to +55 °C (+41 °F to +131 °F)                         |

For further information and the best possible application and performance support, contact Renishaw or visit [www.renishaw.com/lts](http://www.renishaw.com/lts)

## LTS dimensions

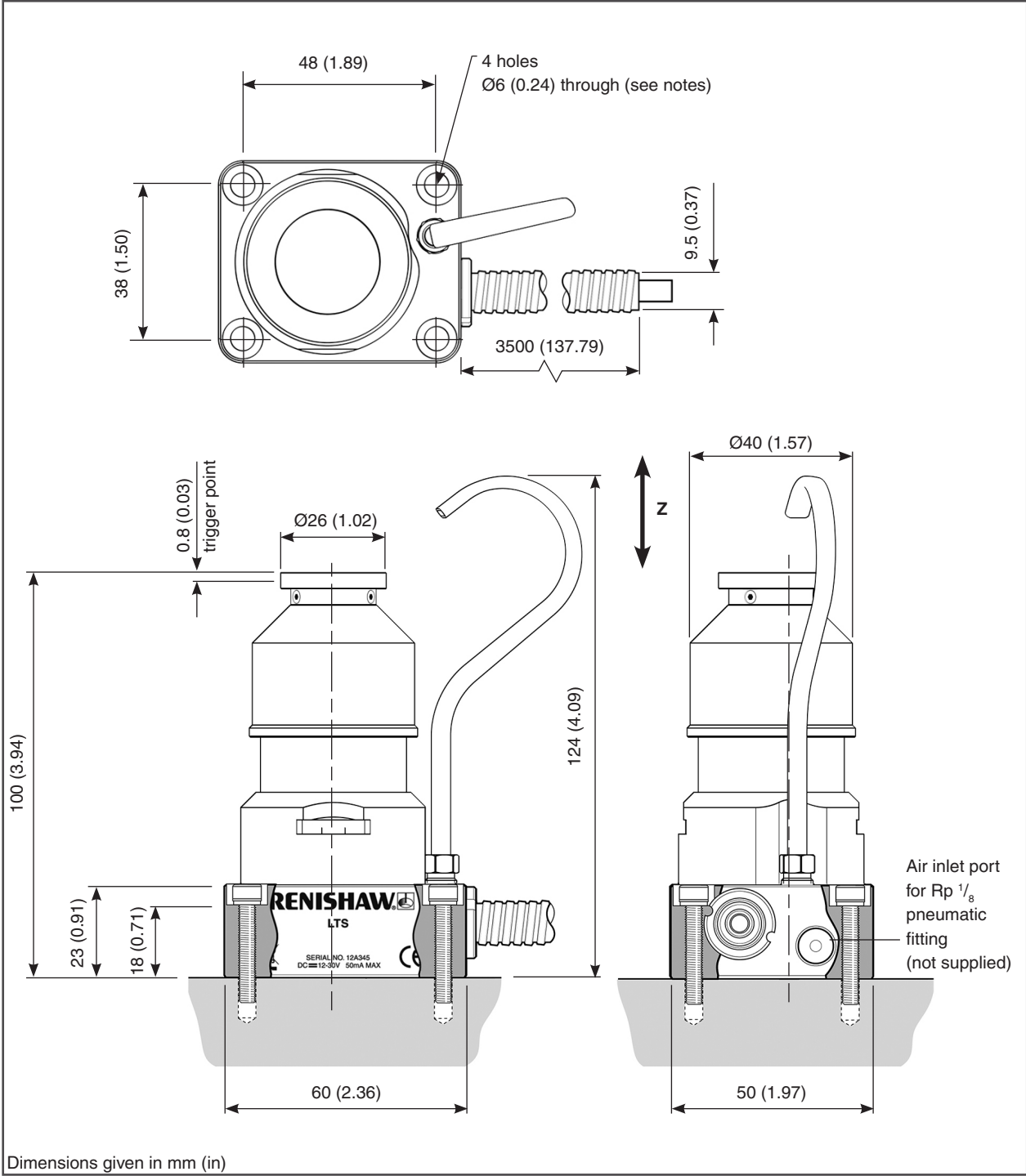


### NOTES:

Mounting holes suitable for M5 × 25 mm cap head screws (× 4) – not supplied.

An optional adaptor for T-slot mounting is available from Renishaw.

**LTS dimensions (raised air blast)**



**NOTES:**

Mounting holes suitable for M5 x 25 mm cap head screws (x 4) – not supplied.  
An optional adaptor for T-slot mounting is available from Renishaw.

## Spare parts and accessories


A full range of spare parts and accessories is available. Contact Renishaw for a full list.

[www.renishaw.com/contact](http://www.renishaw.com/contact)



#renishaw

 +44 (0) 1453 524524

 [uk@renishaw.com](mailto:uk@renishaw.com)

© 2015–2023 Renishaw plc. All rights reserved. This document may not be copied or reproduced in whole or in part, or transferred to any other media or language by any means, without the prior written permission of Renishaw.

RENISHAW® and the probe symbol are registered trade marks of Renishaw plc. Renishaw product names, designations and the mark 'apply innovation' are trade marks of Renishaw plc or its subsidiaries. Other brand, product or company names are trade marks of their respective owners.

WHILE CONSIDERABLE EFFORT WAS MADE TO VERIFY THE ACCURACY OF THIS DOCUMENT AT PUBLICATION, ALL WARRANTIES, CONDITIONS, REPRESENTATIONS AND LIABILITY, HOWSOEVER ARISING, ARE EXCLUDED TO THE EXTENT PERMITTED BY LAW. RENISHAW RESERVES THE RIGHT TO MAKE CHANGES TO THIS DOCUMENT AND TO THE EQUIPMENT, AND/OR SOFTWARE AND THE SPECIFICATION DESCRIBED HEREIN WITHOUT OBLIGATION TO PROVIDE NOTICE OF SUCH CHANGES.

Renishaw plc. Registered in England and Wales. Company no: 1106260. Registered office: New Mills, Wotton-under-Edge, Glos, GL12 8JR, UK.

Part no.: H-5475-8200-03-B

Issued: 09.2023