

TP20 touch-trigger probe system

Kinematic probe system with module changing

The TP20 touch-trigger probe enables manual or automatic stylus changing without re-qualification. This allows complex part measurement, where a range of stylus configurations is needed to access all features on the part.

Modules offering a range of trigger forces allow the probe performance to be accurately matched to the measurement task. A set of probe extensions is also available, as is a 6-way module, allowing the inspection of features with restricted access.

The TP20 can be used on a wide range of Renishaw's manual or motorised probe heads, either by direct mounting using the standard M8 thread or alternatively, by using a PAA adaptor to connect with the autojoint on the head.

The optional MCR20 module changing rack can store up to six probe modules for automatic changing under measurement program control. The probe is automatically disabled during the change cycle.



Benefits

Reduced cycle times

Reduced cycle times are achieved through fast stylus changing without re-qualification.

Optimised probe and stylus performance

Probe and stylus performance are optimised with seven specialised probe modules.

Industry standard metrology performance

The TP20 brings a range of new benefits over the TP2 probe to both manual and DCC CMMs and can easily be retrofitted to existing TP2 installations.

Innovations

Highly repeatable magnetic coupling between probe module and probe body

This enables the exchange of modules without the need to re-qualify the stylus tip giving significant time savings.

Standard M8 screw connector in the probe body

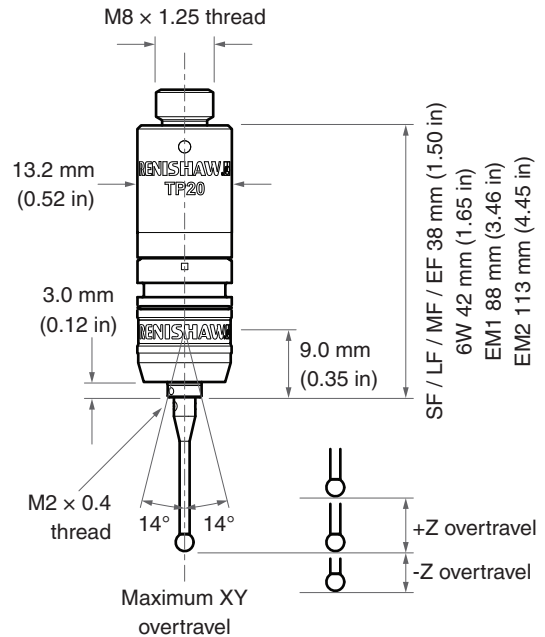
This offers direct fitting to all CMMs with a Renishaw PH1, MH8 or PH10T probe head. Fitment to PH10M and MIH is simply achieved with a PAA probe adaptor.

Crash protection

TP20 modules have overtravel in all directions. The magnetic mounting provides additional crash protection in X and Y.

Specification

Probe body mounting	M8 connector		
Suitable interface	Standard touch-trigger interface		
Sense directions	±X, ±Y, +Z; ±X, ±Y, ±Z (6W only)		
Unidirectional repeatability (maximum mean 2σ at stylus tip)*	LF	0.35 μm (0.000014 in)	
	SF / EM1 / EM2	0.35 μm (0.000014 in)	
	MF	0.50 μm (0.00002 in)	
	EF	0.65 μm (0.000026 in)	
	6W	0.80 μm (0.000032 in)	
Pretravel variation (XY plane)*	LF	±0.60 μm (±0.000023 in)	
	SF / EM1 / EM2	±0.80 μm (±0.000032 in)	
	MF	±1.00 μm (±0.000039 in)	
	EF	±2.00 μm (±0.000079 in)	
	6W	±1.5 μm (±0.000058 in)	
Weight (probe and module)	22 g		
Trigger force*	LF	XY plane 0.055 N	Z-axis 0.65 N
	SF / EM1 / EM2	0.08 N	0.75 N
	MF	0.1 N	1.9 N
	EF	0.1 N	3.2 N
	6W	0.14 N	1.6 N
Overtravel force*	LF	XY plane 0.09 N	Z-axis 1.15 N
	SF / EM1 / EM2	0.2 N - 0.3 N	3.5 N
	MF	0.2 N - 0.4 N	7.0 N
	EF	0.2 N - 0.5 N	10.0 N
	6W	0.25 N	2.5 N
Maximum extension on PH10 PLUS series	300 mm (11.81 in)		
Change rack system	MCR20, TCR20		
Stylus range	M2		



+Z overtravel

SF / EM1 / EM2	4.0 mm (0.16 in)
LF	3.1 mm (0.12 in)
MF	3.7 mm (0.15 in)
EF	2.4 mm (0.09 in)
6W	4.5 mm (0.177 in)

-Z overtravel

6W	1.5 mm (0.06 in)
----	------------------

* LF / SF / EM1 / EM2 / 6W = 10 mm stylus MF = 25 mm stylus EF = 50 mm stylus

LF = low force (green cap)	Suited to applications that require a low trigger force.
SF = standard force (SF, EM1, EM2) (black cap)	Suited to a majority of applications.
MF = medium force (grey cap)	For use when a trigger force higher than 'SF' is required.
EF = extended force (brown cap)	Required with large stylus assemblies. Also, to eliminate spurious triggers due to machine vibration and acceleration.
6W = 6-way (blue cap)	Designed to measure in the Z- direction.

Additional information

Renishaw also provide a non-inhibit version of TP20. This requires the probe to be turned off, via application software, when module changing. For further details on these and other related products, please see www.renishaw.com/TP20.

www.renishaw.com/TP20

#renishaw

+44 (0) 1453 524524 uk@renishaw.com

© 2003–2022 Renishaw plc. All rights reserved. RENISHAW® and the probe symbol are registered trade marks of Renishaw plc. Renishaw product names, designations and the mark 'apply innovation' are trade marks of Renishaw plc or its subsidiaries. Other brand, product or company names are trade marks of their respective owners. Renishaw plc. Registered in England and Wales. Company no: 1106260. Registered office: New Mills, Wotton-under-Edge, Glos, GL12 8JR, UK. WHILE CONSIDERABLE EFFORT WAS MADE TO VERIFY THE ACCURACY OF THIS DOCUMENT AT PUBLICATION, ALL WARRANTIES, CONDITIONS, REPRESENTATIONS AND LIABILITY, HOWSOEVER ARISING, ARE EXCLUDED TO THE EXTENT PERMITTED BY LAW.

Part no.: H-1000-3169-02-A
Issued: 11.2022