

RMP400 (QE) radio machine probe



Specification

Principal application	Workpiece inspection and job set-up on multi-tasking machines, machining centres and gantry machining centres.	
Transmission type	Frequency-hopping spread spectrum (FHSS) radio Radio frequency 2400 MHz to 2483.5 MHz	
Radio approval regions	UK, EU, EFTA, Japan and USA (China exempt). For details about other regions, contact Renishaw.	
Compatible interfaces	RMI-Q or RMI-QE combined interface and receiver unit.	
Operating range	Up to 15 m (49.2 ft)	
Recommended styli	High modulus carbon fibre, lengths 50 mm (1.97 in) to 200 mm (7.88 in)	
Weight (without shank)	including batteries	262 g (9.24 oz)
Switch-on / switch-off options	Radio on Spin on	Radio off or timer off Spin off or timer off
Battery life (2 x ½AA 3.6 V lithium-thionyl chloride)	Standby life	37 months maximum, dependent on switch-on / switch-off option.
	Continuous life	230 hours maximum, dependent on switch-on / switch-off option.
Sense directions	±X, ±Y, +Z	
Unidirectional repeatability	0.25 µm (10 µin) 2σ – 50 mm stylus length ¹ 0.35 µm (14 µin) 2σ – 100 mm stylus length	
X, Y (2D) form measurement deviation	±0.25 µm (10 µin) – 50 mm stylus length ¹ ±0.25 µm (10 µin) – 100 mm stylus length	
X, Y, Z (3D) form measurement deviation	±1.00 µm (40 µin) – 50 mm stylus length ¹ ±1.75 µm (70 µin) – 100 mm stylus length	
Stylus trigger force ² XY plane (typical minimum) +Z plane (typical minimum)	0.07 N, 7 gf (0.25 ozf). Trigger filter (Level 2) 1.02 N, 104 gf (3.67 ozf). Trigger filter (Level 3)	
Stylus overtravel force XY plane (typical minimum) +Z plane (typical minimum)	2.8 N, 285 gf (10.07 ozf) typical minimum ³ 9.8 N, 999 gf (35.25 ozf) typical minimum ⁴	
Probe feedrate (minimum)	3 mm/min (0.12 in/min) ⁵	
Environment	IP rating	IPX8, BS EN 60529:1992+A2:2013 (IEC 60529:1989+A1:1999+A2:2013)
	IK rating	IK01 (EN/IEC 62262: 2002) [for glass window]
	Storage temperature	-25 °C to +70 °C (-13 °F to +158 °F)
	Operating temperature	+5 °C to +55 °C (+41 °F to +131 °F)

¹ Performance specification is tested at a standard test velocity of 240 mm/min (9.45 in/min) with a 50 mm stylus. Significantly higher velocity is possible depending on application requirements.

² Trigger force, which is critical in some applications, is the force exerted on the component by the stylus when the probe triggers. The maximum force applied will occur after the trigger point (overtravel). The force value depends on related variables, including measuring speed, machine deceleration and system latency. RENGAGE equipped probes offer ultra-low trigger forces when probing at low feedrates. Tested at the lowest recommended feedrate of 3 mm/min (minimum).

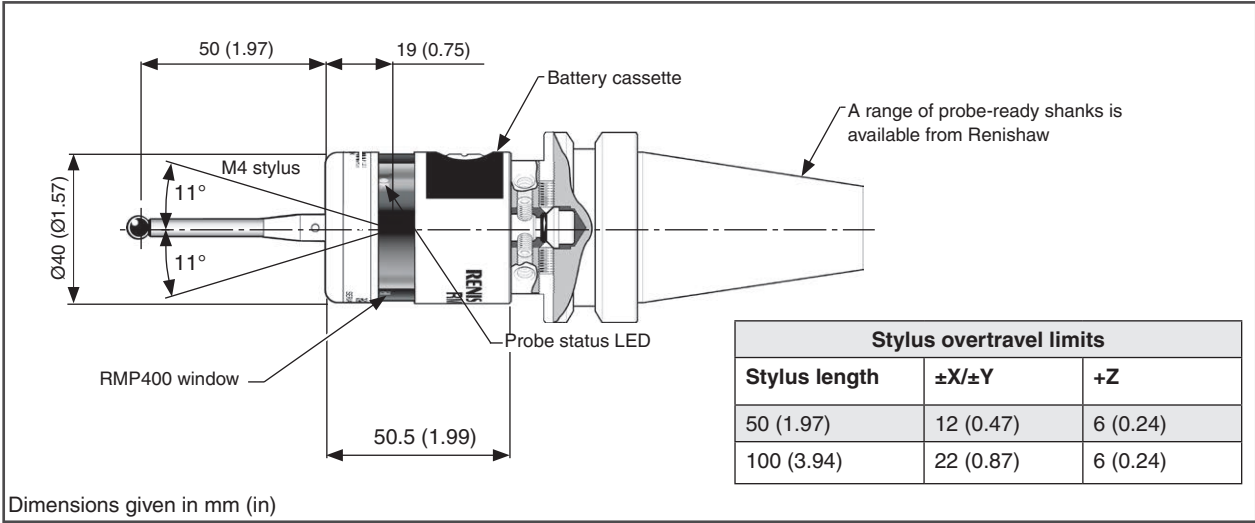
³ Stylus overtravel force in the XY plane occurs 70 µm (2755.91 µin) after the trigger point and rises by 0.1 N/mm, 10 gf/mm (9.1 ozf/in) until the machine tool stops (in the high force direction and using a 50 mm (1.97 in) carbon fibre stylus).

⁴ Stylus overtravel force in +Z direction occurs 1 µm (38.37 µin) after the trigger point and rises by 0.6 N/mm, 61 gf/mm (54.8 ozf/in) until the machine tool stops.

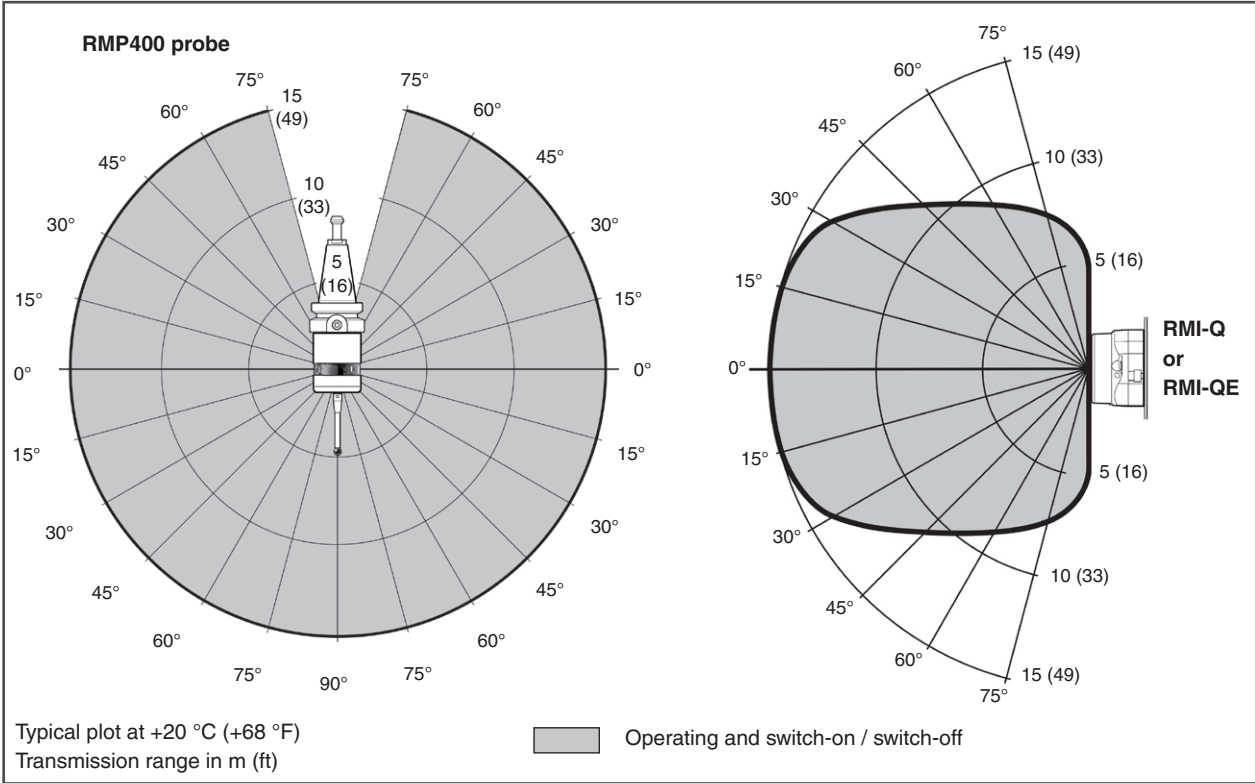
⁵ Speeds below 3 mm/min commonly occur when manually moving the probe using the handwheel with a very fine feedrate.

For further information and the best possible application and performance support, contact Renishaw or visit www.renishaw.com/rmp400

RMP400 dimensions





RMP400 performance envelope



Spare parts and accessories

A full range of spare parts and accessories is available. Contact Renishaw for a full list.

www.renishaw.com/rmp400 

+44 (0) 1453 524524  uk@renishaw.com

© 2022 Renishaw plc. All rights reserved. This document may not be copied or reproduced in whole or in part, or transferred to any other media or language by any means, without the prior written permission of Renishaw.
RENISHAW® and the probe symbol are registered trade marks of Renishaw plc. Renishaw product names, designations and the mark 'apply innovation' are trade marks of Renishaw plc or its subsidiaries. Other brand, product or company names are trade marks of their respective owners.
WHILE CONSIDERABLE EFFORT WAS MADE TO VERIFY THE ACCURACY OF THIS DOCUMENT AT PUBLICATION, ALL WARRANTIES, CONDITIONS, REPRESENTATIONS AND LIABILITY, HOWSOEVER ARISING, ARE EXCLUDED TO THE EXTENT PERMITTED BY LAW. RENISHAW RESERVES THE RIGHT TO MAKE CHANGES TO THIS DOCUMENT AND TO THE EQUIPMENT, AND/OR SOFTWARE AND THE SPECIFICATION DESCRIBED HEREIN WITHOUT OBLIGATION TO PROVIDE NOTICE OF SUCH CHANGES.

Part no.: H-6586-8200-01-A
Issued: 05.2022

Renishaw plc. Registered in England and Wales. Company no: 1106260. Registered office: New Mills, Wotton-under-Edge, Glos, GL12 8JR, UK.