

# ACM angle change mirror for RVP REVO vision probe

## Enhanced access for non-contact vision measurement

The ACM is an accessory designed to enhance access for the RVP non-contact vision system. Using a precision, first-surface mirror, ACM rotates the field of view through 90° allowing vision inspection of bore surfaces and other features previously inaccessible to RVP.

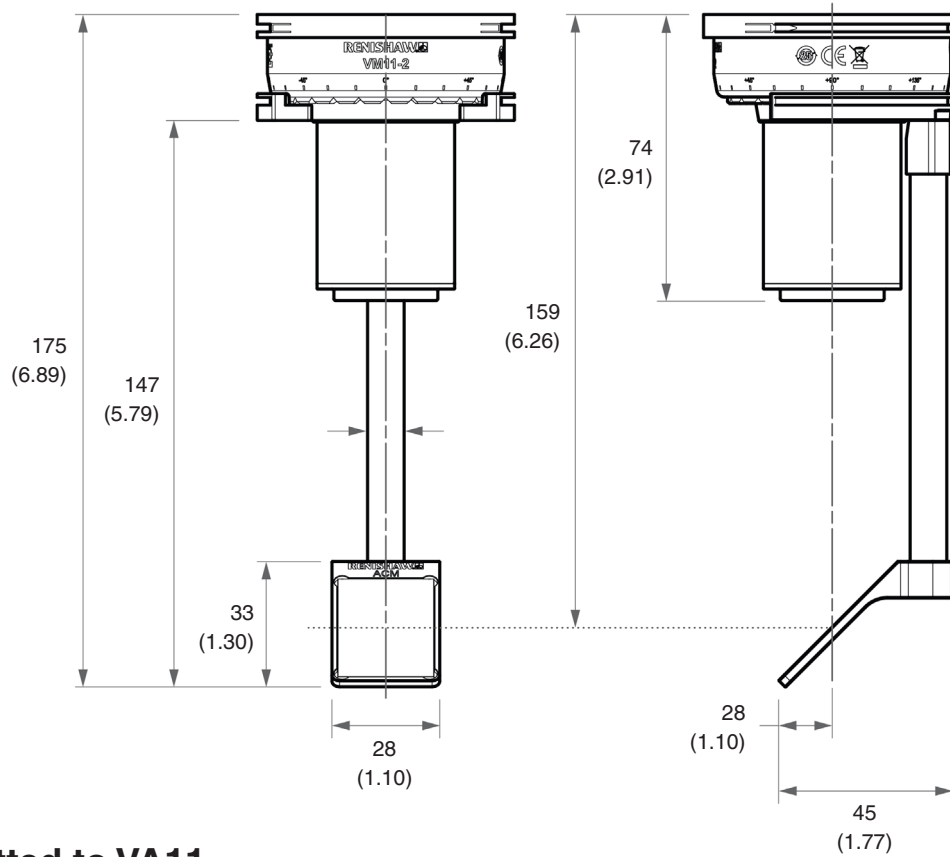
ACM is compatible with the VM11-2 module. It mounts magnetically to a kinematic ring on VM11-2 for repeatable positioning and can be changed automatically using the VMCP REVO port.

The VA90 calibration adaptor converts the VA11 into a calibration artefact compatible with ACM.

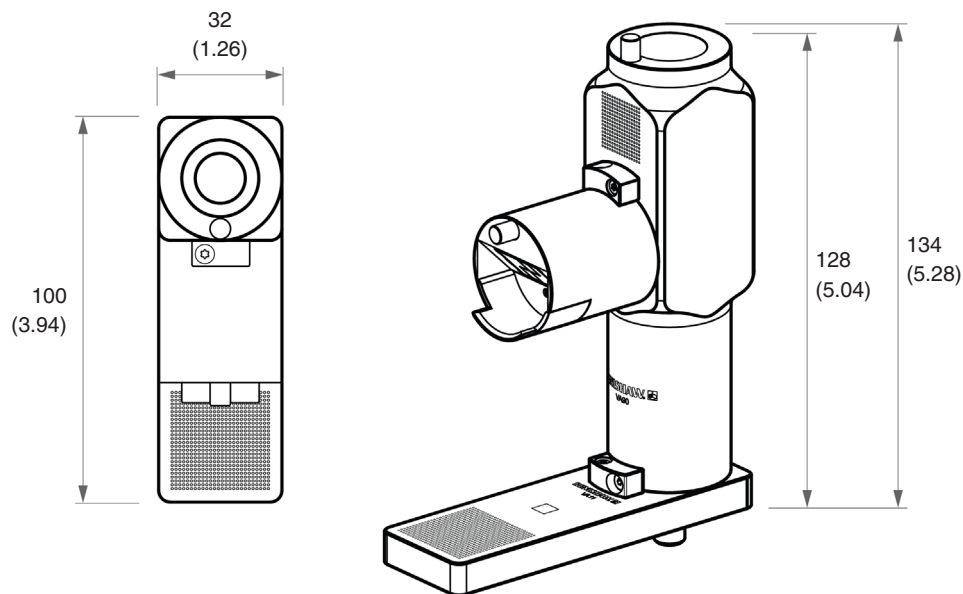
Specification	
Compatible module	VM11-2
Mirror	First-surface (reflective coating on the front surface of the glass)
Rack port compatibility	VMCP
Measurement range	0.4 mm diameter or greater
Field of view	12.5 mm × 10 mm
Depth of field	5 mm
Resolution	20 µm
Stand-off from mirror	34 mm (from mirror centre)
LED illumination	10 LEDs
Mounting orientation	C = 0°
Weight	33 g



## ACM fitted to VM11-2




## VA90 fitted to VA11



[www.renishaw.com/RVP](http://www.renishaw.com/RVP)

 #renishaw

 +44 (0) 1453 524524

 [uk@renishaw.com](mailto:uk@renishaw.com)

© 2020–2022 Renishaw plc. All rights reserved. RENISHAW® and the probe symbol are registered trade marks of Renishaw plc. Renishaw product names, designations and the mark 'apply innovation' are trade marks of Renishaw plc or its subsidiaries. Other brand, product or company names are trade marks of their respective owners.

Renishaw plc. Registered in England and Wales. Company no: 1106260. Registered office: New Mills, Wotton-under-Edge, Glos, GL12 8JR, UK.

WHILE CONSIDERABLE EFFORT WAS MADE TO VERIFY THE ACCURACY OF THIS DOCUMENT AT PUBLICATION, ALL WARRANTIES, CONDITIONS, REPRESENTATIONS AND LIABILITY, HOWSOEVER ARISING, ARE EXCLUDED TO THE EXTENT PERMITTED BY LAW.

Part no.: H-1000-3108-02-B  
Issued: 05.2022