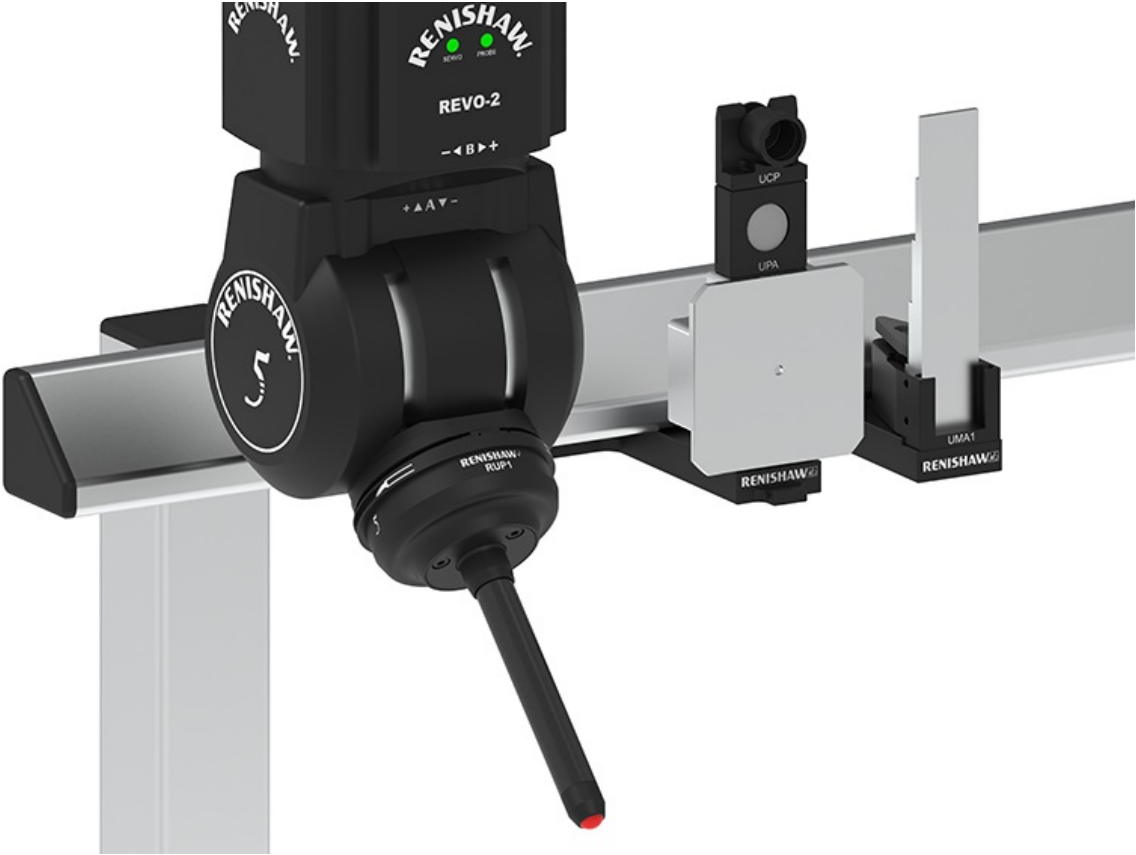


RUP1 installation and user's guide

www.renishaw.com

RUP1 installation and user's guide

Document part number H-1000-5396-03-A



RUP1 installation and user's guide

www.renishaw.com

RUP1 general information

© 2023 - 2024 Renishaw plc. All rights reserved.

 ORIGINAL LANGUAGE VERSION

This document may not be copied or reproduced in whole or in part, or transferred to any other media or language by any means, without the prior written permission of Renishaw.

Disclaimer

WHILE CONSIDERABLE EFFORT WAS MADE TO VERIFY THE ACCURACY OF THIS DOCUMENT AT PUBLICATION, ALL WARRANTIES, CONDITIONS, REPRESENTATIONS AND LIABILITY, HOWSOEVER ARISING, ARE EXCLUDED TO THE EXTENT PERMITTED BY LAW.

RENISHAW RESERVES THE RIGHT TO MAKE CHANGES TO THIS DOCUMENT AND TO THE EQUIPMENT, AND/OR SOFTWARE AND THE SPECIFICATION DESCRIBED HEREIN WITHOUT OBLIGATION TO PROVIDE NOTICE OF SUCH CHANGES.

Trade marks

RENISHAW®, the probe symbol and REVO® are registered trade marks of Renishaw plc.

Renishaw product names, designations and the mark 'apply innovation' are trade marks of Renishaw plc or its subsidiaries.

Other brand, product or company names are trade marks of their respective owners.

WEEE



The use of this symbol on Renishaw products and / or accompanying documentation indicates that the product should not be mixed with general household waste upon disposal. It is the responsibility of the end user to dispose of this product at a designated collection point for waste electrical and electronic equipment (WEEE) to enable reuse or recycling. Correct disposal of this product will help to save valuable resources and prevent potential negative effects on the environment. For more information, please contact your local waste disposal service or Renishaw distributor.

Warranty

Unless you and Renishaw have agreed and signed a separate written agreement, the equipment and/or software are sold subject to the Renishaw Standard Terms and Conditions supplied with such equipment and/or software, or available on request from your local Renishaw office.

Renishaw warrants its equipment and software for a limited period (as set out in the Standard Terms and Conditions), provided that they are installed and used exactly as defined in associated Renishaw documentation. You should consult these Standard Terms and Conditions to find out the full details of your warranty.

Equipment and/or software purchased by you from a third-party supplier is subject to separate terms and conditions supplied with such equipment and/or software. You should contact your third-party supplier for details.

RUP1 installation and user's guide

www.renishaw.com

Care of equipment

Renishaw probes and associated systems are precision tools used for obtaining precise measurements and must therefore be treated with care.

Changes to Renishaw products

Renishaw reserves the right to improve, change or modify its hardware or software without incurring any obligations to make changes to Renishaw equipment previously sold.

Company registration details

Renishaw plc. Registered in England and Wales. Company no: 1106260. Registered office: New Mills, Wotton-under-Edge, Gloucestershire, GL12 8JR, UK.

Packaging

To aid end user recycling and disposal the materials used in the different components of the packaging are stated here:

Packaging component	Material	94/62/EC code	94/62/EC number
Outer box	Non-corrugated fibreboard	PAP	21
Packaging insert	Non-corrugated fibreboard	PAP	21



CAUTION: If it is necessary to return any part of the system please ensure it is packaged carefully. Failure to do so could result in transit damage for which the customer would be liable. Products supplied in plastic boxes must be returned in the original packaging.

RUP1 installation and user's guide

www.renishaw.com

Patents

Features of Renishaw's RUP1 system and associated products (such as REVO-2) are the subjects of one or more of the following patents and patent applications:

CN101166951	EP1877727	IN405412	JP2022-153451	US10260856	WO2023-052756
CN101166953	EP1877732	IN446044	JP2022-522353	US10502712	WO2023-052757
CN101405563	EP1989504	IN504401	JP5196356	US10627259	
CN101405564	EP2002206		JP5350216	US11231398	
CN101490430	EP2002207		JP5425476	US11402201	
CN101772690	EP2035719		JP5653581	US11885771	
CN102305613	EP2140318		JP5658863	US2022-0137005	
CN102906533	EP2167911		JP5706158	US7533574	
CN103842766	EP2431707		JP5851969	US7809523	
CN105408723	EP2564151		JP6013533	US7861430	
CN105793695	EP2764324		JP6199870	US7885777	
CN106716051	EP3004797		JP6348577	US8006398	
CN106796109	EP3052926		JP6742303	US8186882	
CN107532930	EP3201565		JP7042620	US8302321	
CN109964098	EP3201566		JP7105769	US8425119	
CN112129190	EP3289314		JP7246127	US8474148	
CN113544463	EP3542130			US8511898	
	EP3786577			US8601701	
	EP3931526			US8756973	
				US8978261	
				US9038282	
				US9366519	
				US9903713	

RUP1 installation and user's guide

www.renishaw.com

RUP1 product compliance

EU declaration of conformity

Contact Renishaw plc or visit www.renishaw.com/EUCMM for the full EU declaration.

UK declaration of conformity

Contact Renishaw plc or visit www.renishaw.com/UKCMM for the full UK declaration.

EMC conformity

This equipment must be installed and used in accordance with this installation guide. This product is intended for industrial use only and should not be used in a residential area or connected to a low voltage power supply network which supplies buildings used for residential purposes.

FCC (USA only)

Information to user (47 CFR 15.105)

This equipment has been tested and found to comply with the limits for a Class A digital device, pursuant to Part 15 of the FCC rules. These limits are designed to provide reasonable protection against harmful interference when the equipment is operated in a commercial environment. This equipment generates, uses, and can radiate radio frequency energy and, if not installed and used in accordance with the instruction manual, may cause harmful interference to radio communications. Operation of this equipment in a residential area is likely to cause harmful interference, in which case you will be required to correct the interference at your own expense.

Information to user (47 CFR 15.21)

The user is cautioned that any changes or modifications not expressly approved by Renishaw plc or authorised representative could void the user's authority to operate the equipment.

Equipment label (47 CFR 15.19)

This device complies with part 15 of the FCC Rules. Operation is subject to the following two conditions:

1. This device may not cause harmful interference.
 2. This device must accept any interference received, including interference that may cause undesired operation.
-

RUP1 installation and user's guide

www.renishaw.com

ICES-001 (Canada only)

This ISM device complies with Canadian ICES-001(A) / NMB-001(A).

Cet appareil ISM est conforme à la norme ICES-001(A) / NMB-001(A) du Canada.

REACH regulation

Information required by Article 33(1) of Regulation (EC) No. 1907/2006 ("REACH") relating to products containing substances of very high concern (SVHCs) is available at:

www.renishaw.com/REACH

China RoHS

Contact Renishaw plc or visit www.renishaw.com/ChinaRoHSCMM for the full China RoHS tabulation.



RUP1 installation and user's guide

www.renishaw.com

RUP1 safety

CAUTION: Before unpacking and installing the REVO-2 system and accompanying probes, the user should carefully read the safety instructions below and ensure that they are followed at all times by all operators.

The RUP1 is only to be used with the Renishaw REVO-2 head.

Operators must be trained in the use and application of the REVO-2 system and accompanying products, in the context of the machine it is fitted to, before being allowed to operate that machine.

Permanent magnets are used in some components of the REVO-2 system and associated products. It is important to keep them away from items which may be affected by magnetic fields, e.g. data storage systems, pacemakers and watches etc.



Hydrophilic polymer elastomer ball

Hydrophilic polymer elastomer ball contains amongst other ingredients:

- 60-80% Ethanediol;ethylene glycol
- 1-3% 2-Propenonic acid, homopolymer, sodium salt

Hazards



- Harmful if swallowed
- May cause drowsiness or dizziness
- May cause damage to organs through prolonged or repeated exposure

Control measures

- Do not ingest
- When handling, use disposal nitrile glove and that comply with EN374-2, EN374-3, EN388 standards
- Avoid contact with strong acids, strong bases, strong oxidizing agents, and strong reducing agents
- If in contact with the skin, wash immediately
- Handle in well-ventilated area
- Avoid contact during pregnancy and while nursing

Storage and disposal

- Store in a tightly closed container
- Avoid discharge to lakes, streams, sewers, etc.
- Dispose of contents/container in accordance with local regulations

Emergency procedure

IF SWALLOWED: Call a POISON CENTER / doctor if you feel unwell.

For further information visit www.renishaw.com/SDS

RUP1 installation and user's guide

www.renishaw.com

RUP1 warnings

Beware of unexpected movement. The user should remain outside of the full working envelope of probe head and stylus. The machine supplier should ensure the user is aware of the full working envelope of the system.

In all applications involving the use of machine tools or CMMs, eye protection is recommended.

It is the machine supplier's responsibility to ensure that the user is made aware of any hazards involved in operation, including those mentioned in Renishaw product documentation, and to ensure that adequate guards and safety interlocks are provided.

Refer to the machine supplier's operating instructions.

The system components contain no user serviceable parts, with the exception of FCR25. No attempt should be made to disassemble any part of the product. In the event of a problem please contact your supplier for assistance.

Under certain circumstances the probe signal may falsely indicate a probe-seated condition. Do not rely on probe signals to stop machine movement.

Probe trigger override on the MCU joystick should be used with care, since it will prevent the CMM from stopping in the event of a collision.

The probe joints are designed to release the probe and / or the stylus holder in the event of a crash.

This equipment is not suitable for use in a potentially explosive atmosphere.

Pinch hazards exist between parts. Do not hold the probe or probe head during movements.

It is essential for continued safety that all fuses are replaced by the correct type and rating.

REVO-2 must be transported in Renishaw supplied packaging.

The cables must meet Renishaw specifications. Incorrect cabling could cause damage to the equipment.

RUP1 installation and user's guide

www.renishaw.com

RUP1

- Remove protective caps prior to use:



- The RUP1 probe should be handled with care
- Avoid dropping the RUP1 probe or colliding with workpieces or parts of the CMM structure
- Particular care should be given to the stylus tip - avoid contact with the elastomer ball unless it is being used for measurement
- Visually examine the elastomer ball for contamination of dirt or dust
- Ensure measurement surfaces are dry and clear of debris before being inspected with RUP1 probe

RUP1 installation and user's guide

www.renishaw.com

RUP1 international safety instructions

BG - ПРЕДУПРЕЖДЕНИЕ

Моля, обърнете на приложение 1 и прочетете инструкциите за безопасност на вашия собствен език, преди за разопаковате и монтирате този продукт.

CS - VÝSTRAHA

Před rozbalením a instalací tohoto výrobku si přečtěte bezpečnostní pokyny ve vlastním jazyce uvedené v příloze 1.

DA - ADVARSEL

Læs sikkerhedsinstrukserne i Appendix 1 FØR udpakning og installation af dette produkt.

DE - WARNHINWEIS

Bevor Sie dieses Produkt auspacken und installieren, konsultieren Sie bitte Anhang 1 und lesen Sie die Sicherheitshinweise in Ihrer Sprache.

EL - ΠΡΟΕΙΔΟΠΟΙΗΣΗ

Γυρίστε στο Κεφάλαιο 1 και διαβάστε τις οδηγίες ασφαλείας στη δική σας γλώσσα προτού ανοίξετε αυτό το προϊόν για να το εγκαταστήσετε.

EN - WARNING

Before unpacking and installing this product, please consult Appendix 1 and read the safety instructions in your language.

ES - ADVERTENCIA

Consulte el apéndice 1 y lea las instrucciones de seguridad en su idioma antes de desempaquetar e instalar este producto.

ET - HOIATUS

Palun vaadake 1. lisa ning lugege enne selle toote lahtipakkimist ja paigaldamist ohutusjuhend läbi.

FI - VAROITUKSIA

Lue liitteessä 1 olevat omalla kielelläsi kirjoitetut turvaohjeet ennen tämän tuotteen pakkauksen avaamista ja asentamista.

FR - AVERTISSEMENT

Consulter l'annexe 1 et les instructions de sécurité dans votre propre langue avant de débiller et d'installer ce produit.

RUP1 installation and user's guide

www.renishaw.com

GA - RABHADH

Téigh chuig aguisín 1 agus déan na treoracha sábháilteachta a léamh i do theanga féin le do thoil sula ndéantar an táirge seo a dhíphacáil agus a shuiteáil.

HR - NAPOMENA

Prije nego što proizvod izvadite iz ambalaže i ugradite ga, otvorite Prilog 1 i pročitajte sigurnosne upute na svom jeziku.

HU – FIGYELMEZTETÉS

A termék kicsomagolása és telepítése előtt olvassa el az 1. számú függelékben található, az Ön anyanyelvén hozzáférhető biztonsági utasításokat.

IT - AVVISO

Prima di aprire ed installare questo prodotto, leggere le istruzioni di sicurezza nella vostra lingua riportate nell'Appendice 1.

JA - 警告

この製品を箱から取り出し設置する前に、付録 1 に記載された安全性に関する注意書きをお読みください。

LT – ĮSPĖJIMAS

Prieš išpakuodami ir įdiegdami produktą, turite grįžti prie 1 priedo ir perskaityti nurodymus dėl saugos savo kalba.

LV – BRĪDINĀJUMS

Pirms šī izstrādājuma izsaiņošanas un uzstādīšanas izskatiet 1. pielikumā sniegtās drošības instrukcijas savā valodā.

MT - TWISSIJA

Jekk jogħġbok mur f'appendiċi 1 u aqra l-istruzzjonijiet tas-sigurtà fil-lingwa tiegħek qabel ma toħroġ dan il-prodott mill-ippakkjar u tinstallah.

NL - WAARSCHUWING

Ga naar appendix 1 en lees de veiligheidsinstructies in uw eigen taal, voordat u dit product uitpakt en installeert.

PL - OSTRZEŻENIE

Przed rozpakowaniem i zainstalowaniem tego produktu prosimy o zapoznanie się z Dodatkiem 1 i przeczytanie zaleceń dotyczących bezpieczeństwa w danym języku.

PT - ADVERTÊNCIA

Você deve retornar ao Anexo 1 e ler as instruções de segurança em seu idioma antes de desembalar e instalar este produto.

RUP1 installation and user's guide

www.renishaw.com

RO - AVERTISMENT

Înainte de a desface ambalajul și a instala acest produs, vă rugăm să căutați Anexa 1 și să citiți cu atenție instrucțiunile de siguranță, în limba română.

SK - VÝSTRAHA

Pred rozbalením a inštaláciou tohto produktu si pozrite prílohu 1 a prečítajte si bezpečnostné pokyny vo vašom jazyku.

SL - OPOZORILO

Preden izdelek vzamete iz embalaže in ga vgradite, odprite Prilogo 1 in preberite varnostna navodila v svojem jeziku.

SV - VARNING

Gå till bilaga 1 och läs säkerhetsinstruktionerna på ditt eget språk innan du packar upp och installerar denna produkt.

ZH-TW - 警告

在拆開和安裝本產品之前，請翻頁至附錄 1 閱讀母語的安全指示。

ZH - 警告

在拆包和安裝本產品之前，請翻到附录1，阅读中文版安全说明。

RUP1 installation and user's guide

www.renishaw.com

RUP1 references and associated documents

The following Renishaw documents are referred to in this document or may be a source of further relevant information. They can easily be acquired from Renishaw website www.renishaw.com.

User guide: REVO-2 (H-1000-7590)
Installation & user's guide: RSP3 (H-1000-5124)
Installation & user's guide: SFP2 (H-1000-5365)
User guide: RVP (H-1000-3322)
User guide: RFP1 (H-1000-5430)
Installation & user's guide: RUP1 (H-1000-5396)
Installation & user's guide: RTP1 (H-1000-5406)
Installation guide: UCC S5 REVO-2 CMM controller (H-1000-7598)
Installation guide: SPA3-2 (H-1000-5364)
Installation & user's guide: MCULite-2, MCU5-2 and MCU W-2 (H-1000-5280)
Installation & user's guide: MRS (H-1000-5088)
Installation guide: MRS2 (H-1000-5255)
Installation guide: REVO-2 change system port spacing guide (H-1000-5408)
Technical specifications: Styli and accessories (H-1000-3200)

RUP1 installation and user's guide

www.renishaw.com

RUP1 system description

The RUP1 probe system brings automated thickness measurement to CMMs as part of the REVO 5-axis multi-sensor measuring system.

The RUP1 system hardware is comprised of a probe, an end cap, an elastomer ball (tip) and accessories to enable automatic interchange of RUP1 or between different probe types. Calibration and setting artefacts are also available to ensure that the system is performing at its optimum capability at all times. Specific RUP1 software is also required to interpret the data collected by the REVO-2 system. Because the RUP1 system is used as part of a multi-sensor system, and uses specially designed calibration routines, the location of the stylus tip is known precisely. RUP1 thickness measurements can therefore be collected from a specific location, even if there is significant variation between nominally identical parts. The thickness data, together with its analysis results, can then be stored alongside the part's dimensional data for future reference.

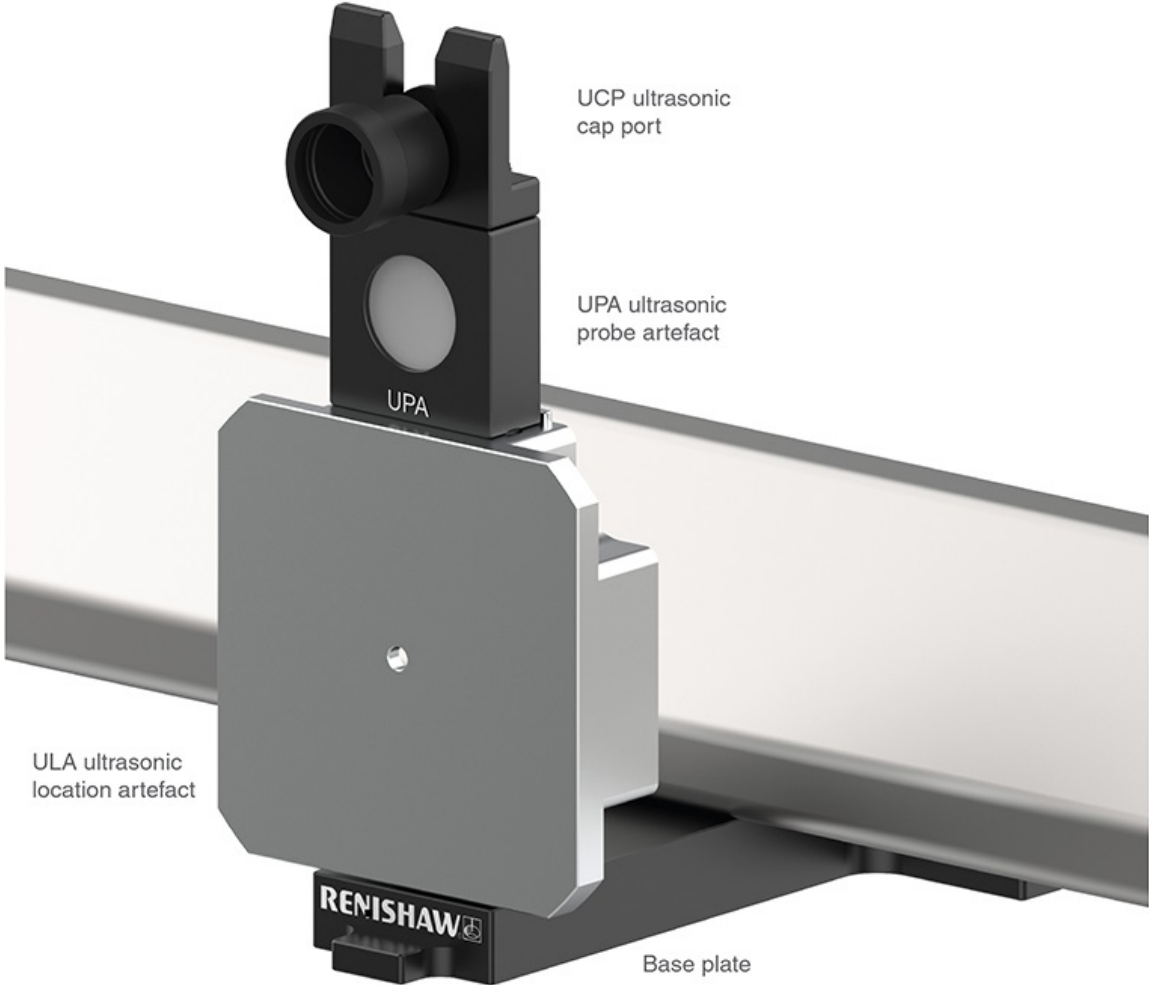
The RUP1 is currently available in two lengths - 175 mm and 300 mm (from centre of the REVO-2 axis).

System components overview



RUP1 installation and user's guide

www.renishaw.com



RUP1 installation and user's guide

www.renishaw.com

RUP1 probe

The RUP1 probe houses the electronics to condition the signals from the transducer so that they can be communicated to the controller via the REVO-2 head.



Protective cap

The RUP1 should always be stored with the protective cap in-place as it extends the life of the tip (elastomer ball). The protective cap fits over the "endcap" and is held in-place by the friction of the sealing ring. Automated routes automatically remove and replace the cap during use.



RUP1 installation and user's guide

www.renishaw.com

UCP ultrasonic cap port

The UCP holds the protective cap during use. The UCP sits on the top of the calibration assembly.



UPA ultrasonic probe artefact

The UPA is used to determine the RUP1 probe length (tip Z) and the ultrasonic axis.



ULA ultrasonic location artefact

The ULA determines the XY of the position of the ultrasonic axis (location).



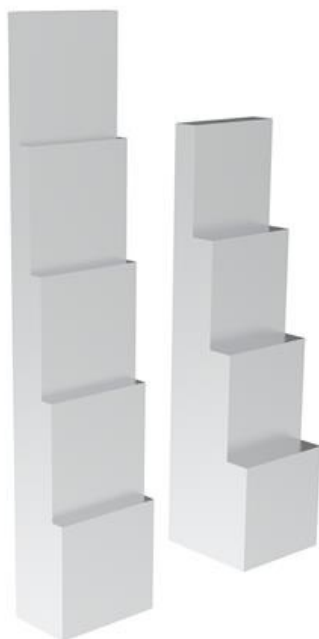
CAUTION: Take great care not to damage or scratch the artefact.

RUP1 installation and user's guide

www.renishaw.com

UMA1 ultrasonic material artefact

The UMA1 holds the four or five step ASTM E797 spec ultrasonic calibration artefact.



NOTE: The precision of the artefact affects the system performance.

The artefact should be made from the same material grade and be subjected to the same processes (e.g. heat treatments, forging, shot peening) as the part being measured.

RUP1 installation and user's guide

www.renishaw.com

RUP1 specifications

Environmental specification

Operating temperature range	+10 °C to +40 °C (+50 °F to +104 °F)
Storage temperature range	-25 °C to +70 °C (-13 °F to +158 °F)
Operating humidity	0% to 65% (non-condensing)
Storage humidity	0% to 80% (non-condensing)

Electrical specification

The REVO-2 head and probe electronics are powered from the UCC S5.

The RCP TC-3 is powered by a separate power supply that is supplied by Renishaw.

No other additional power supplies are required.

Probe specification

Parameter	Specification
Material thickness range	1 mm to 20 mm (metal parts excluding cast iron and additive parts) * / **
Thickness measurement accuracy	Near-parallel surfaces better than 0.025 mm *** Non-parallel surfaces up to 10 degrees - 0.100 mm ***
Tip composition	Leaves minimal chemical residue on the surface
Tip life - in use	1 - 5 shifts (will depend on environment) ****
Tip life - ready to use	7 days in a rack stored with protective cap ****
Tip life - shelf life	12 months minimum (when stored in packaging)
Measurement method	Point measurement of near-parallel surfaces Capability to measure non-parallel surfaces (up to 10° wedge angle) ***
Probe changing	Fully automated to work with standard REVO-2 multi sensor set-up

* Near-parallel surfaces

** The range has been verified on aluminium 4032/ 6020, 303/316/416 stainless steels, titanium alloys. Other metals will be able to be measured but may not achieve these specifications.

*** Relies on the calibration artefact being manufactured of the same material, same manufacturing processes, same location from bar stock as the part.

**** 1 shift = 8 hours and in a 20 °C calibration room.

RUP1 installation and user's guide

www.renishaw.com

Application features

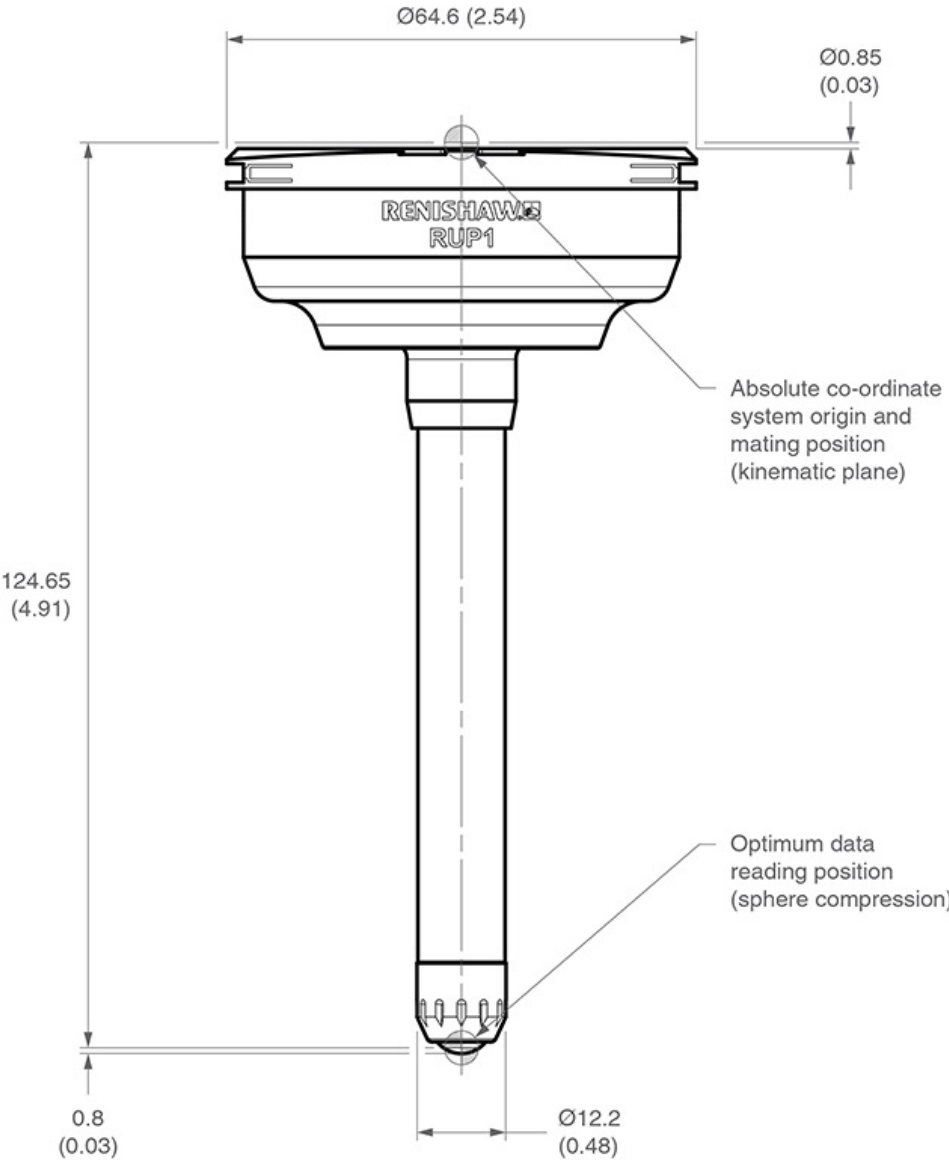
Product feature	
Calculating bore diameters from thicknesses	Measure the outside diameter and the thickness allows the internal diameter to be calculated. Internal diameter must exceed 100 mm.
Measuring internal distances to square shoulders	Start at the small diameter, take a series of points into the large diameter. Application trials show an accuracy 0.15 mm can be achieved.
Ball diameter damage detection	The system consistently checks the ball condition.
Signal quality indication	A signal quality 'Q' value is available. If signal quality is poor, logic can be used to retry points or the point can be substituted with orbital discovery mode (ODM).
Tip life - ready to use	System reports if the ball / tip becomes too small or damaged.
Temperature	Temperature affects the material speed of sound more than the thermal expansion. Calibrating the speed of sound on the same material as the part eliminates this, providing there are no large temperature changes.

RUP1 installation and user's guide

www.renishaw.com

RUP1 dimensions

RUP1-175

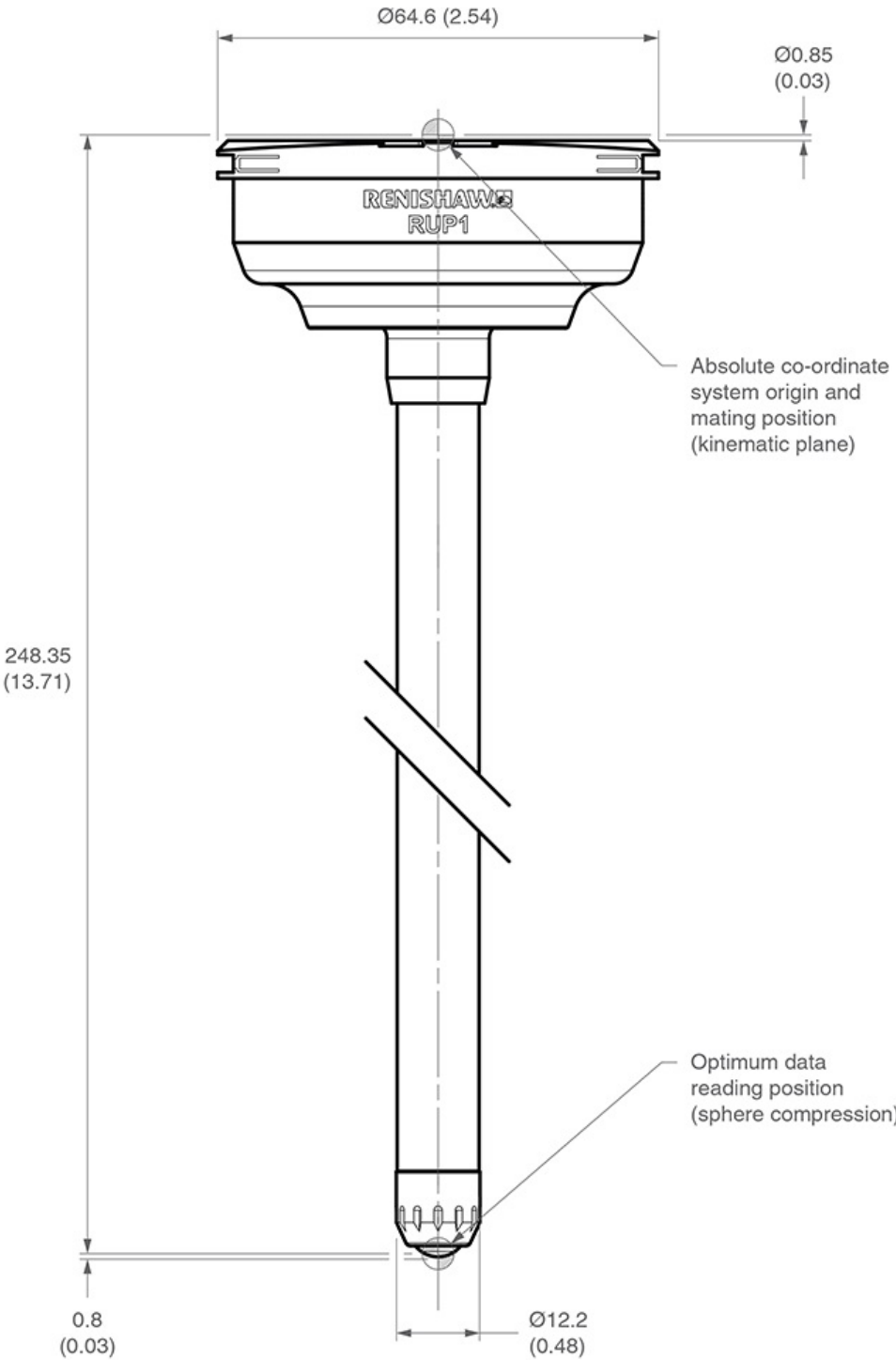


i NOTE: Dimensions in mm (in).

RUP1 installation and user's guide

www.renishaw.com

RUP1-300



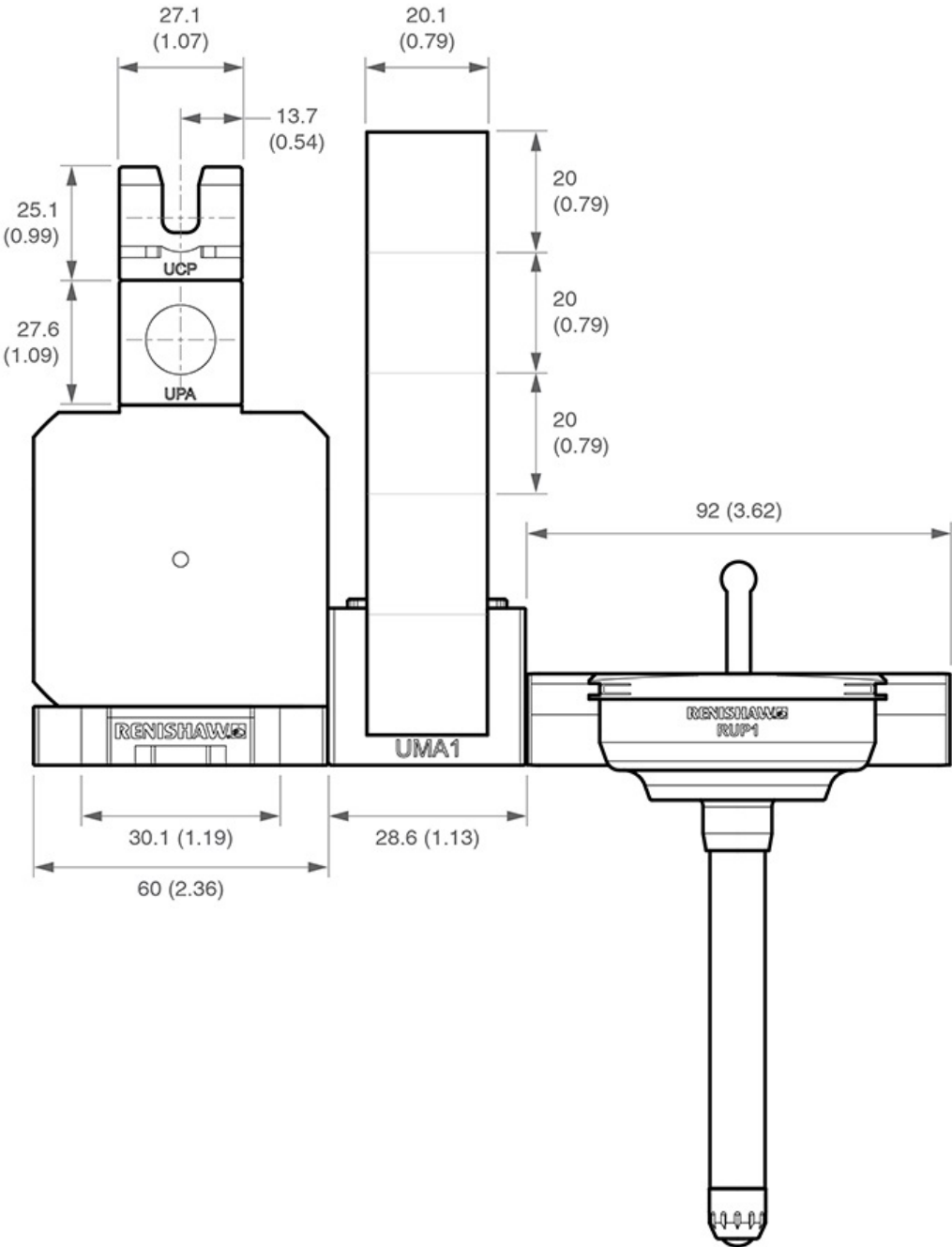
i NOTE: Dimensions in mm (in).

RUP1 installation and user's guide

www.renishaw.com

RUP1 probe change system

The RUP1 system requires 182 mm (7.17 in) of MRS rail length to mount the calibration and probe holder.



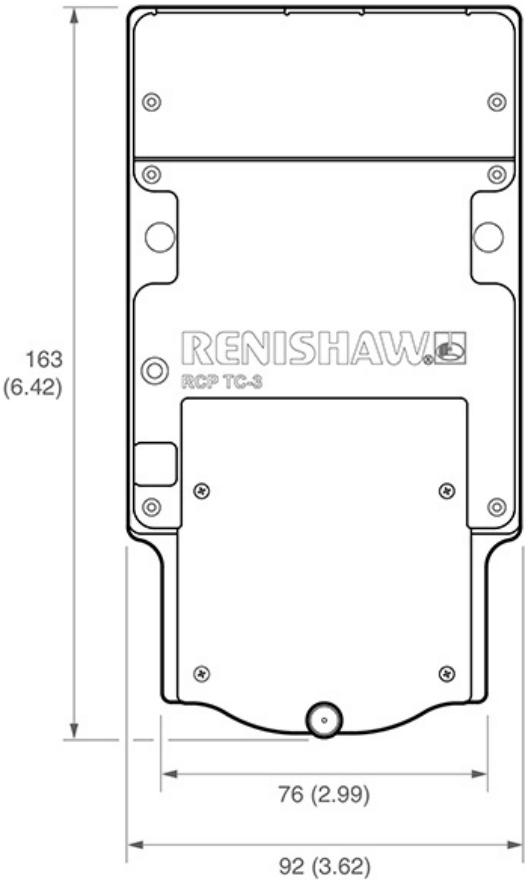
i NOTE: Dimensions in mm (in).

RUP1 installation and user's guide

www.renishaw.com

RCP TC-3

The RCP TC-3 is a thermally controlled port for changing RSP3-6, SFP2 and RUP1 probes.



i NOTE: Dimensions in mm (in).

RUP1 installation and user's guide

www.renishaw.com

Manually mounting / removing the RUP1 probe from REVO-2

To manually mount or remove the probe from the REVO-2 head you need to:

1. Align the front of the head with the probe (look at the "Renishaw" engraving on the front of probe or alignment marks as applicable).
2. Carefully align the probe to the head, allowing the magnetic attraction to gently connect the kinematic joints.
3. Gently rotate the probe to ensure correct location.
4. To remove, securely hold the probe and gently tilt to break the kinematic joints.



WARNING: Avoid touching the probe when the REVO-2 head LEDs are both green and the head is ready for measurement. Green LEDs indicate that the head is engaged and the controller has a valid probe calibration.

RUP1 installation and user's guide

www.renishaw.com

Assembling the elastomer balls into the end cap

1. Unscrew the end cap from the RUP1.



2. Remove the elastomer ball.



RUP1 installation and user's guide

www.renishaw.com

3. Open the bag containing the new elastomer ball. Without touching it tip the new ball in to the end cap.



4. Screw the end cap back on to the RUP1.



WARNING: Try not to touch the elastomer ball by hand.

RUP1 installation and user's guide

www.renishaw.com

RUP1 artefact assembly

The following sections outline the assembly of the various RUP1 artefacts:

- [Attaching the UCP, UPA and ULA assembly to an MRS2 rail](#)
- [UMA1 assembly and step block](#)

RUP1 installation and user's guide

www.renishaw.com

Attaching the UCP, UPA and ULA assembly to an MRS2 rail

1. Insert the D-nut into the groove on the underside of the MRS2 rail by rolling into place.
2. Align the ULA base plate assembly and the screw with the threaded hole in the D-nut.



RUP1 installation and user's guide

www.renishaw.com

3. Screw in to place and tighten fully.



RUP1 installation and user's guide

www.renishaw.com

UMA1 assembly and step block

Attaching the UMA1 assembly to the rail

1. Insert the D-nut into the groove on the underside of the MRS2 rail by rolling into place.
2. Align the UMA1 assembly and the screw with the threaded hole in the D-nut.



3. Screw in to place and tighten fully.



RUP1 installation and user's guide

www.renishaw.com

Installing a step block into a UMA1

1. Loosen the screw and slide the clamp back towards the rail.



2. Insert the step block into the UMA1 with the steps facing the rail.



RUP1 installation and user's guide

www.renishaw.com



3. Slide the clamp forwards until it is pressing against the step block. Retighten the screw whilst holding the clamp firmly in place.

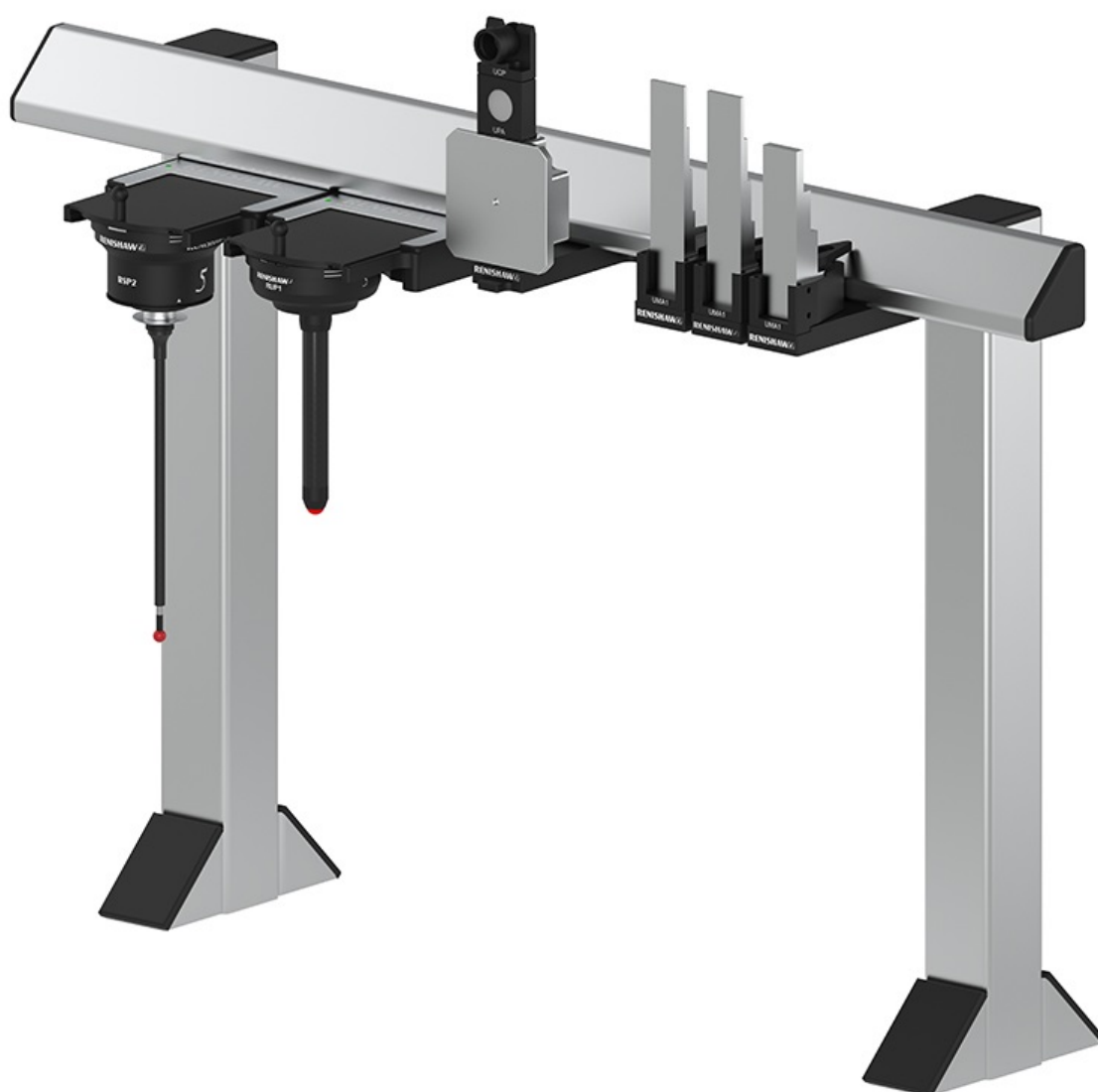


RUP1 installation and user's guide

www.renishaw.com

RUP1 probe change system

The REVO-2 probe change system is designed to allow automatic REVO-2 probe and accessory changing on a CMM. For optimum metrology, RUP1 should be changed automatically using REVO-2 change port (RCP TC-3). These ports are mounted on the modular rack system (MRS or MRS2).



RUP1 installation and user's guide

www.renishaw.com

RCP TC-3

The RCP TC-3 is a thermally controlled port for changing RSP3-6, SFP2 and RUP1 probes.



RUP1 installation and user's guide

www.renishaw.com

RUP1 maintenance

CAUTION: Always refer to the 'Safety' and 'Warnings' sections of this guide. Failure to do so could lead to personal injury.

Following the simple procedures given below will prolong the operational life and maintain the high performance of the system. The user should determine the frequency of inspection and maintenance actions according to the conditions of use.

All system components should be cleaned using a soft, lint free cloth and must be kept dry.

Kinematic couplings

The kinematic coupling mechanisms incorporated throughout the system have precision ball seating and permanent magnets. It is recommended that all these features be cleaned before first use, and thereafter at regular intervals.

A cleaning kit for the precision ball seating and permanent magnet is available from your Renishaw supplier (part number A-1085-0016). It comprises strips of yellow tack material. Use the yellow tack to clean the areas indicated with arrows on the image below.



With clean hands, tear off a small piece, shape into a small ball and press into / onto each of the features in turn, rotating to a fresh piece of material as you work around.

CAUTION: Ensure no yellow tack debris is left on the surface. The yellow tack should not be used for electrical contacts.

RUP1 installation and user's guide


www.renishaw.com

Electrical contacts

The electrical contacts, indicated with arrows in the image below, should be carefully cleaned with an alcohol-based cleaner (e.g. IPA) and a lint-free cloth.



Rack port maintenance

 **CAUTION:** Always refer to the 'Safety' and 'Warnings' sections of this guide. Failure to do so could lead to personal injury.

Periodic cleaning of the ports, lids and outer surfaces using a soft, lint free cloth is recommended to prevent contamination of stored probes and modules.

ULA maintenance

Periodically visually inspect the ULA for scratches and wear, and replace if necessary. Cleaning with a lint free cloth at regular intervals is recommended.

RUP1 installation and user's guide

www.renishaw.com

Appendix 1 - RUP1 international safety statements

BG - ПРЕДУПРЕЖДЕНИЕ	JA - 警告
CS - VÝSTRAHA	LT - ĮSPĖJIMAS
DA - ADVARSEL	LV - BRĪDINĀJUMS
DE - WARNHINWEIS	MT - TWISSIJA
EL - ΠΡΟΕΙΔΟΠΟΙΗΣΗ	NL - WAARSCHUWING
EN - WARNING	PL - OSTRZEŻENIE
ES - ADVERTENCIA	PT - ADVERTÊNCIA
ET - HOIATUS	RO - AVERTISMENT
FI - VAROITUKSIA	SK - VÝSTRAHA
FR - AVERTISSEMENT	SL - OPOZORILO
GA - RABHADH	SV - VARNING
HR - NAPOMENA	ZH-TW - 警告
HU - FIGYELMEZTETÉS	ZH - 警告
IT - AVVISO	

RUP1 installation and user's guide

www.renishaw.com

BG - RUP1 Безопасност

ВНИМАНИЕ: Преди да разпаковате и инсталирате системата REVO-2 и придружаващите я пробници, трябва внимателно да прочетете инструкциите за безопасност по-долу и да се уверите, че те се спазват по всяко време от всички оператори на системата.

RUP1 може да се използва само с главата REVO-2, произведена от Renishaw.



Преди да получат разрешение да работят със съответната машина, операторите трябва да бъдат специално обучени за работата със системата REVO-2 и придружаващите я продукти в съответствие с изискванията на съответната машина, на която е монтирана.

В някои компоненти на системата REVO-2 и свързаните с нея продукти се използват постоянни магнити. Важно е те да се пазят от елементи, които биха могли да бъдат засегнати от магнитни полета, напр. – системи за запаметяване на данни, водачи, часовници и др.

Hydrophilic polymer elastomer ball

Hydrophilic polymer elastomer ball съдържа наред с други елементи и следните съставки:

- 60-80% Етандиол; етиленгликол
- 1-3% 2-пропенонова киселина, хомополимер, натриева сол

Рискове



- Опасен при поглъщане
- Може да предизвика сънливост или замаяване
- Може да нанесе увреждания на органи при продължително или многократно излагане

Контролни мерки

- Не поглъщайте
- При работа използвайте нитрилни ръкавици, които отговарят на стандартите EN374-2, EN374-3 и EN388
- Пазете от контакт със силни киселини, силни основи, силни окислителни и силни редуктори
- Ако се стигне до контакт с кожата, измийте незабавно
- Работете с препаратите в добре проветрени помещения
- Пазете от контакт при бременност и в период на кърмене

Съхранение и изхвърляне

- Съхранявайте в плътно затворен контейнер
- Не изхвърляйте в езера, потоци, отходни канали и др.
- Изхвърлете съдържанието/контейнера в съответствие с местните разпоредби

RUP1 installation and user's guide

www.renishaw.com

Процедури при неотложни състояния

АКО Е ПОГЪЛНАТ: Обадете се на ЦЕНТЪР ПО ОТРАВЯНЕ/доктор, ако се почувствате зле.

За допълнителна информация посетете www.renishaw.com/SDS

RUP1 предупреждения

Пазете се от неочаквано движение. Потребителят трябва да остава извън пълния работен обсег на главата на пробника и осезателя. Доставчикът на машината трябва да се увери, че потребителят е наясно с пълния работен обсег на системата.

При всички приложения, включващи използването на металорежещи машини или СММ, се препоръчва използването на средства за защита на очите.

Отговорност на доставчика на машината е да гарантира, че на потребителя са обяснени всякакви рискове по време на работа, включително онези, упоменати в продуктовата документация на Renishaw, и да гарантира осигуряване на съответни предпазители и безопасителни блокировки.

Вж. инструкциите за работа на доставчика на машината.

Компонентите на системата не съдържат части, които могат да бъдат обслужвани от потребителя, с изключение на FCR25. Не трябва да се правят опити за разглобяване, на който и да било детайл на изделието. В случай на проблем се обръщайте към доставчика си за съдействие.

При определени обстоятелства сигналът от пробника може да посочва фалшиво състояние на опрян пробник. Да не се разчита на сигналите от пробника за спиране движението на машината.

Бутонът на пробника за отмяна върху MCU джойстика трябва да се използва внимателно, тъй като задействането му ще попречи на СММ да спре в случай на сблъсък.

Шарнирите на пробника са предназначени за освобождаване на пробника и/или държача на осезателя в случай на авария.

Това оборудване не е подходящо за работа в потенциално експлозивна атмосфера.

Съществуват рискове от притискане между частите. Да не се държи пробникът или главата на пробника по време на работните движения.

За непрекъснатата безопасност е от значение всички предпазители да се сменят с такива с точния тип и номинална характеристика.

REVO-2 трябва да се транспортира в материалите за опаковане, предоставени от Renishaw.

Кабелите трябва да отговарят на спецификациите на Renishaw. Неправилното окабеляване би могло да причини повреда на оборудването.

RUP1 installation and user's guide

www.renishaw.com

RUP1

- Отстранете предпазните капачки преди ползване:



- С пробника RUP1 трябва да боравите внимателно
- Внимавайте да не изпуснете пробника RUP1 и да не го блъскате в детайли или части от конструкцията на СММ
- Особено внимание трябва да се обърне на върха на осезателя! Внимавайте той да не се допре до еластомерната топка, освен в случаите, когато тя не се използва за измерване
- Направете визуална проверка на еластомерната топка за замърсявания и запрашвания
- Уверете се, че измервателните повърхности са сухи и почистени от замърсявания, преди да бъдат проверени с пробника RUP1

RUP1 installation and user's guide

www.renishaw.com

CS - Bezpečnost RUP1

UPOZORNĚNÍ: Před vybalením a instalací systému REVO-2 a doplňujících sond by si měl uživatel pozorně přečíst níže uvedené bezpečnostní pokyny a zajistit, aby je všechny osoby používající systém neustále dodržovaly.

Sondu RUP1 používejte pouze s hlavicí REVO-2 společnosti Renishaw.



Než bude moci personál obsluhy začít pracovat se strojem, ke kterému je připojen systém REVO-2, je nutné, aby byl vyškolen v oblasti používání tohoto systému a doplňujících produktů v souvislosti s daným strojem.

V některých součástech snímacího systému REVO-2 a přidružených produktech jsou použity permanentní magnety. Je nutné je uchovávat mimo dosah předmětů, na které by mohlo nepříznivě působit magnetické pole, jako jsou například systémy pro ukládání dat, kardiostimulátory, hodinky atd.

Hydrophilic polymer elastomer ball

Hydrophilic polymer elastomer ball obsahuje mimo jiné:

- 60–80 % ethandiol; ethylenglykol
- 1–3 % 2-propenonová kyselina, homopolymer, sodná sůl

Rizika



- Škodlivé při požití.
- Může způsobit malátnost a závratě.
- Při dlouhodobé či opakované expozici může způsobit poškození orgánů.

Regulační opatření

- Nepolykat.
- Při manipulaci používejte jednorázové nitrilové rukavice, které splňují normy EN374-2, EN374-3, EN388.
- Vyvarujte se kontaktu se silnými kyselinami, silnými zásadami, silnými oxidačními činidly a silnými redukčními činidly.
- V případě kontaktu s pokožkou zasažené místo ihned opláchněte.
- S přípravkem manipulujte na dobře větraném místě.
- Vyvarujte se kontaktu v průběhu těhotenství a kojení.

Skladování a likvidace

- Skladujte v těsně uzavřené nádobě.
- Zabraňte únikům do vodních ploch, vodních toků, kanalizace atd.
- Obsah/nádobu zlikvidujte v souladu s místními předpisy.

RUP1 installation and user's guide

www.renishaw.com

Nouzový postup

PŘI POŽITÍ: V případě nevolnosti zavolejte TOXIKOLOGICKÉ CENTRUM / lékaře.

Další informace najdete na adrese www.renishaw.com/SDS

Varování pro RUP1

Dejte pozor na nečekaný pohyb stroje. Uživatel se musí zdržovat mimo pracovní rozsah stroje, zejména mimo místa pohybu snímací hlavy a doteku. Dodavatel stroje by měl zajistit, aby byl uživatel obeznámen s celým pracovním rozsahem systému.

Při jakékoli práci s obráběcími stroji nebo souřadnicovými měřicími stroji (CMM) je doporučeno používat ochranu očí.

Povinností dodavatele stroje je informovat uživatele o nebezpečích spojených s provozem i o nebezpečích zmiňovaných v dokumentaci k produktům společnosti Renishaw a zajistit dostatečné ochranné a bezpečnostní systémy.

Přečtěte si provozní pokyny dodavatele příslušného stroje.

Komponenty systému neobsahují žádné části, jejichž servis by mohl provádět uživatel, s výjimkou FCR25. Nepokoušejte se demontovat jakoukoliv část výrobku. Setkáte-li se s problémem, kontaktujte prosím svého dodavatele.

Za určitých okolností může signál sondy nesprávně označovat klidový stav sondy. Nevyužívejte signály sondy jako hlavní impuls pro zastavování stroje.

Potlačení spínače sondy na joysticku MCU je třeba používat opatrně, protože v případě kolize zabrání zastavení souřadnicového měřicího přístroje.

Spoje sondy jsou navrženy tak, aby uvolnily sondu a/nebo držák doteku v případě kolize.

Toto zařízení není vhodné pro užití v potenciálně výbušném prostředí.

Existuje riziko přiskřípnutí mezi součástmi. Sondu ani snímací hlavici při pohybu nepřidržujte.

V zájmu zachování trvalé bezpečnosti je nezbytné, aby byly všechny pojistky nahrazeny správným typem se správnou hodnotou.

Systém REVO-2 se musí přepravovat v obalu dodaném společností Renishaw.

Kabely musí splňovat specifikace společnosti Renishaw. Nesprávná kabeláž může způsobit poškození zařízení.

RUP1 installation and user's guide

www.renishaw.com

RUP1

- Před použitím odstraňte ochranné krytky.



- Se sondou RUP1 byste měli zacházet náležitě opatrně.
- Zabraňte upuštění sondy RUP1 nebo jejímu nárazu do obrobků či konstrukčních dílů souřadnicového měřicího stroje.
- Zvláště opatrní byste měli být na hrot doteku – zabraňte kontaktu s elastomerovou kuličkou, pokud se nepoužívá k měření.
- Elastomerovou kuličku vizuálně zkontrolujte ohledně znečištění či nánosů prachu.
- Zajistěte, aby měřené povrchy byly před měřením sondou RUP1 suché a bez nečistot.

RUP1 installation and user's guide

www.renishaw.com

DA - RUP1 sikkerhed

FORSIGTIG: Før udpakning og installation af REVO-2-systemet og de medfølgende prober skal brugeren omhyggeligt læse nedenstående sikkerhedsinstruktioner og sørge for, at de altid bliver fulgt af alle, der betjener probesystemet.

RUP1 er kun til brug sammen med Renishaw REVO-2-hovedet.



Operatørerne skal være uddannet i brugen og anvendelsen af REVO-2-systemet og de medfølgende produkter i forbindelse med den maskine, det er monteret på, før de får tilladelse til at betjene maskinen.

Der anvendes permanente magneter i visse komponenter i REVO-2-systemet og de tilhørende produkter. Det er vigtigt at holde dem på afstand af komponenter, der kan påvirkes af magnetiske felter, f.eks. datalagringsystemer, pacemakere, ure osv.

Hydrophilic polymer elastomer ball

Hydrophilic polymer elastomer ball indeholder blandt andre ingredienser:

- 60-80 % ethandiol;ethylenglycol
- 1-3 % 2-akrylsyre, homopolymer, natriumsalt

Farer



- Farlig ved indtagelse
- Kan forårsage sløvhed eller svimmelhed
- Kan forårsage organskader ved længerevarende eller gentagen eksponering

Kontrolforanstaltninger

- Må ikke indtages
- Ved håndtering anvendes engangsnitrilhandske, som overholder standarderne EN374-2, EN374-3, EN388
- Undgå kontakt med stærke syrer, stærke baser, stærke oxidationsmidler og stærke reduktionsmidler
- Skyl straks ved hudkontakt
- Håndteres i område med god ventilation
- Undgå kontakt under graviditet og amning

Opbevaring og bortskaffelse

- Opbevares i en tæt tillukket beholder
- Undgå udledning til søer, åer, kloakker mv.
- Indholdet/beholderen bortskaffes i overensstemmelse med lokale regler

Nødprocedure

I TILFÆLDE AF INDTAGELSE: I tilfælde af ubehag ring til en GIFTINFORMATION eller en læge.

Læs mere på www.renishaw.com/SDS

RUP1 installation and user's guide

www.renishaw.com

RUP1-advarsler

Pas på uventede bevægelser. Brugeren bør holde sig uden for hele probehovedets og stylus' arbejdsområde. Maskinleverandøren bør sikre, at brugeren er bekendt med systemets fulde arbejdsområde.

I alle tilfælde, hvor der anvendes værktøjs- og koordinatmålemaskiner, anbefales det at bære beskyttelsesbriller.

Det er maskinleverandørens ansvar at sikre, at brugeren er bekendt med eventuelle risici i forbindelse med driften, herunder de risici, som er nævnt i Renishaws produktokumentation, og at sikre, at der er tilstrækkelig afskærmning og sikkerhedsblokeringer.

Se maskinleverandørens brugervejledning.

Systemkomponenterne indeholder ingen dele, der kan serviceres af brugeren, med undtagelse af FCR25. Adskillelse af nogen del af produktet bør ikke forsøges. Kontakt leverandøren for at få assistance, hvis der opstår et problem.

Under visse omstændigheder kan probesignalet ved en fejl angive, at probe står stille. Stol ikke på, at probesignaler vil stoppe maskinens bevægelse.

Tilsidesættelse af probeudløseren på MCU-joysticket skal anvendes med forsigtighed, da det forhindrer koordinatmålemaskinen i at stoppe i tilfælde af sammenstød.

Probesamlingerne er designet til at frigøre proben og/eller stylusholderen i tilfælde af sammenstød.

Dette udstyr er uegnet til brug i en atmosfære med eksplosionsfare.

Der er risiko for at komme i klemme mellem delene. Hold ikke proben eller probehovedet under bevægelse.

Det er vigtigt for den fortsatte sikkerhed, at alle sikringer skiftes ud med en af samme type og samme nominelle effekt.

REVO-2 skal transporteres i Renishaws medfølgende emballage.

Kablerne skal opfylde Renishaws specifikationer. Forkert kabelføring kan forårsage skade på udstyret.

RUP1 installation and user's guide

www.renishaw.com

RUP1

- Fjern beskyttelseshætterne før brug:



- RUP1-proben skal håndteres med forsigtighed
- Undgå at tabe RUP1-proben eller at støde ind i emner eller dele af koordinatmålemaskinstrukturen
- Der skal især udvises forsigtighed med stylusspidsen - undgå kontakt med elastomerkuglen, medmindre den anvendes til måling
- Efterse elastomerkuglen for snavs eller støv
- Sørg for, at måleoverfladerne er tørre og fri for snavs eller materiale, før de inspiceres med RUP1-proben

RUP1 installation and user's guide

www.renishaw.com

DE - RUP1 Sicherheitshinweise

VORSICHTSHINWEIS: Lesen Sie bitte sorgfältig vor dem Auspacken und Installieren des REVO-2 Systems und der zugehörigen Messtaster die folgenden Sicherheitshinweise und sorgen Sie dafür, dass diese auch von allen Anwendern beachtet werden. Der RUP1 darf nur mit dem Messkopfsystem REVO-2 von Renishaw verwendet werden.



Vor der Bedienung der Maschine müssen alle Maschinenbediener über Gebrauch und Anwendung des REVO-2 Systems und der zugehörigen Produkte in Verbindung mit der damit ausgerüsteten Maschine geschult werden.

In einigen Bauteilen des REVO-2 Systems und einigen zugehörigen Produkten sind Permanentmagneten eingebaut. Wichtig! Halten Sie diese von Geräten fern, die durch Magnetfelder beeinträchtigt werden können, wie z. B. Datenspeicher, Herzschrittmacher, Uhren usw.

Hydrophilic polymer elastomer ball

Der Hydrophilic Polymer Elastomer Ball enthält neben anderen Bestandteilen:

- 60–80 % Ethandiol; Ethylenglykol
- 1–3 % 2-Propensäure, Homopolymer, Natriumsalz

Gefahren



- Gesundheitsschädlich bei Verschlucken
- Kann Schläfrigkeit und Benommenheit verursachen
- Kann die Organe schädigen bei längerer oder wiederholter Exposition

Kontrollmaßnahmen

- Nicht einnehmen
- Bei der Handhabung Einweg-Nitrilhandschuhe gemäß den Normen EN374-2, EN374-3 und EN388 verwenden
- Den Kontakt mit starken Säuren, starken Basen, starken Oxidationsmitteln und starken Reduktionsmitteln vermeiden
- Bei Kontakt mit der Haut sofort abwaschen
- In einem gut belüfteten Bereich handhaben
- Während Schwangerschaft und Stillzeit Kontakt vermeiden

Lagerung und Entsorgung

- In einem dicht verschlossenen Behälter aufbewahren
- Einleitung in Seen, Bäche, Kanalisation u. Ä. vermeiden
- Inhalt / Behälter entsprechend den örtlichen Vorschriften der Entsorgung zuführen

RUP1 installation and user's guide

www.renishaw.com

Vorgehensweise im Notfall

BEI VERSCHLUCKEN: Bei Unwohlsein GIFTINFORMATIONSZENTRUM /Arzt anrufen.

Weitere Informationen erhalten Sie unter www.renishaw.com/SDS

RUP1 Warnhinweise

Auf unerwartete Bewegungen achten. Der Anwender darf sich nur außerhalb des Messtaster-Arbeitsbereiches aufhalten. Der Maschinenlieferant muss sicherstellen, dass sich der Anwender über den vollen Arbeitsbereich des Systems bewusst ist.

Bei Arbeiten an Koordinatenmessgeräten und Werkzeugmaschinen wird ein Augenschutz empfohlen.

Es obliegt dem Maschinenlieferanten, den Anwender über alle Gefahren zu unterrichten, die sich aus dem Betrieb der Ausrüstung ergeben, einschließlich derjenigen, die in der Renishaw-Produktdokumentation erwähnt sind, und sicherzustellen, dass ausreichende Schutzvorrichtungen und Sicherheitsverriegelungen eingebaut sind.

Beachten Sie die Bedienungsanleitungen des Maschinenherstellers.

Das System enthält keine Komponenten, die durch den Anwender selbst gewartet oder repariert werden können. Versuchen Sie nicht, einzelne Bauteile des Produkts zu demontieren. Im Falle eines Problems fordern Sie bitte Hilfe bei Ihrem Lieferanten an.

Es kann passieren, dass der Messtaster fälschlicherweise eine Ruhestellung signalisiert. Verlassen Sie sich nicht alleine auf das Messtastersignal, um Maschinenbewegungen zu stoppen.

Die Abschaltung des Tastersignals am MCU Joystick sollte vorsichtig eingesetzt werden, da sie das Anhalten des KMGs im Falle einer Kollision verhindert.

Die Messtasteranschlüsse sind so konzipiert, dass der Messtaster und/oder der Tasterhalter im Falle eines Zusammenstoßes abgelöst werden.

Dieses System darf nicht in potenziell explosiver Atmosphäre verwendet werden.

Es besteht Einklemmgefahr zwischen den Bauteilen. Den Messtaster oder Messkopf während Bewegungen nicht festhalten.

Für einen dauerhaft sicheren Betrieb sollten immer nur Ersatzsicherungen des richtigen Typs und der richtigen Schutzklasse verwendet werden.

Der REVO-2 muss in der von Renishaw gelieferten Verpackung transportiert werden.

Die Kabel müssen den Spezifikationen von Renishaw entsprechen. Eine falsche Verkabelung kann zu Schäden am System führen.

RUP1 installation and user's guide

www.renishaw.com

RUP1

- Vor der Verwendung Schutzkappen entfernen:



- Der RUP1 Messtaster ist mit Vorsicht zu behandeln
- Dafür sorgen, dass der RUP1 Messtaster nicht fallen gelassen wird oder mit Werkstücken oder Teilen der KMG-Struktur zusammenstößt
- Das Tastelement sollte mit besonderer Vorsicht behandelt werden – die Elastomerkugel nur berühren, soweit es für den Messvorgang erforderlich ist
- Die Elastomerkugel per Sichtkontrolle auf Verunreinigungen durch Schmutz oder Staub prüfen
- Vor der Messung mit dem RUP1 Messtaster sicherstellen, dass die zu messenden Oberflächen trocken und frei von Schmutzrückständen sind

RUP1 installation and user's guide

www.renishaw.com

EL - Ασφάλεια RUP1

ΠΡΟΣΟΧΗ: Πριν από την αποσυσκευασία και την εγκατάσταση του συστήματος REVO-2 και των συνοδευτικών αισθητήρων, ο χρήστης πρέπει να διαβάσει προσεκτικά τις οδηγίες ασφαλείας που ακολουθούν και να διασφαλίσει ότι θα εφαρμόζονται πάντοτε από όλους τους χειριστές.

Το RUP1 πρέπει να χρησιμοποιείται μόνο με την κεφαλή Renishaw REVO-2.



Οι χειριστές πρέπει να είναι εκπαιδευμένοι στη χρήση και εφαρμογή του συστήματος REVO-2 και των συνοδευτικών προϊόντων, σε σχέση με το μηχάνημα στο οποίο τοποθετείται, για να τους επιτραπεί να χρησιμοποιήσουν το συγκεκριμένο μηχάνημα. Σε ορισμένα εξαρτήματα του συστήματος REVO-2 και των σχετικών προϊόντων χρησιμοποιούνται μόνιμοι μαγνήτες. Είναι σημαντικό να κρατάτε τους μαγνήτες μακριά από στοιχεία που μπορεί να επηρεαστούν από μαγνητικά πεδία, π.χ. συστήματα αποθήκευσης δεδομένων, βηματοδότες, ρολόγια, κ.λπ.

Hydrophilic polymer elastomer ball

Hydrophilic polymer elastomer ball περιέχει, μεταξύ άλλων, τα εξής συστατικά:

- 60-80% αιθανοδιόλη, αιθυλενογλυκόλη
- 1-3% πολυακρυλικό νάτριο (ομοπολυμερές μετά νατρίου άλατος του 2-προπενοϊκού οξέος)

Επικινδυνότητες



- Επιβλαβές σε περίπτωση κατάποσης
- Μπορεί να προκαλέσει υπνηλία ή ζάλη
- Προκαλεί βλάβες στα όργανα ύστερα από παρατεταμένη ή επανειλημμένη έκθεση

Μέτρα ελέγχου

- Μην το καταπίνετε
- Κατά τον χειρισμό, χρησιμοποιήστε γάντια νιτρίλιου μίας χρήσης που συμμορφώνονται με τα πρότυπα EN374-2, EN374-3, EN388
- Αποφύγετε την επαφή με ισχυρά οξέα, ισχυρές βάσεις, ισχυρούς οξειδωτικούς παράγοντες και ισχυρούς αναγωγικούς παράγοντες
- Σε περίπτωση επαφής με το δέρμα, πλύνετε αμέσως
- Χειριστείτε σε καλά αεριζόμενο μέρος
- Αποφύγετε την επαφή κατά τη διάρκεια της εγκυμοσύνης και του θηλασμού

Αποθήκευση και φύλαξη

- Αποθηκεύστε σε ερμητικά κλεισμένο περιέκτη
- Αποφύγετε την απόρριψη σε λίμνες, ρέματα, υπονόμους κ.λπ.
- Η απόρριψη του περιεχομένου/ περιέκτη πρέπει να γίνεται σύμφωνα με τους τοπικούς κανονισμούς

RUP1 installation and user's guide

www.renishaw.com

Διαδικασία σε περίπτωση έκτακτης ανάγκης

ΣΕ ΠΕΡΙΠΤΩΣΗ ΚΑΤΑΠΟΣΗΣ: Καλέστε το ΚΕΝΤΡΟ ΔΗΛΗΤΗΡΙΑΣΕΩΝ ή έναν γιατρό εάν αισθανθείτε αδιαθεσία.

Για περισσότερες πληροφορίες επισκεφθείτε τη διεύθυνση www.renishaw.com/SDS

Προειδοποιήσεις RUP1

Προσέξτε τυχόν απροσδόκητες κινήσεις του συστήματος. Ο χρήστης πρέπει να παραμένει εκτός του χώρου δυνατής κίνησης της κεφαλής του αισθητήρα και του επαφέα. Ο προμηθευτής του μηχανήματος πρέπει να εξασφαλίσει ότι ο χρήστης είναι ενήμερος για τον χώρο δυνατών κινήσεων του συστήματος.

Σε όλες τις εφαρμογές που συνεπάγονται τη χρήση εργαλείων ή μηχανών προσδιορισμού συντεταγμένων, συνιστάται η χρήση συσκευής προστασίας των ματιών.

Αποτελεί ευθύνη του προμηθευτή του μηχανήματος να εξασφαλίσει ότι ο χρήστης είναι ενήμερος για τυχόν κινδύνους που συνεπάγεται η λειτουργία, συμπεριλαμβανομένων όσων αναφέρονται στα εγχειρίδια του προϊόντος της Renishaw. Είναι επίσης ευθύνη του να εξασφαλίσει ότι υπάρχουν τα απαιτούμενα προστατευτικά καλύμματα και οι μηχανισμοί ασφάλισης.

Ανατρέξτε στις οδηγίες λειτουργίας του προμηθευτή του μηχανήματος.

Τα μέρη του συστήματος δεν περιέχουν εξαρτήματα τα οποία απαιτούν συντήρηση από τον ίδιο τον χρήστη, με εξαίρεση το FCR25. Δεν πρέπει να γίνεται καμία απόπειρα αποσυναρμολόγησης οποιουδήποτε τμήματος του προϊόντος. Σε περίπτωση προβλήματος, επικοινωνήστε με τον προμηθευτή σας για υποστήριξη.

Υπό ορισμένες συνθήκες το σήμα του ανιχνευτή μπορεί να υποδεικνύει λανθασμένη ένδειξη τοποθέτησης του αισθητήρα. Μη βασίζεστε στα σήματα αισθητήρα για τη διακοπή της κίνησης του μηχανήματος.

Η παράκαμψη της ενεργοποίησης του αισθητήρα στο χειριστήριο της χειροκίνητης μονάδα ελέγχου (MCU) πρέπει να χρησιμοποιείται με προσοχή, καθώς θα αποτρέψει τη διακοπή του μηχανής προσδιορισμού συντεταγμένων σε περίπτωση σύγκρουσης.

Οι σύνδεσμοι του αισθητήρα έχουν σχεδιαστεί για να αποδεσμεύσουν τον αισθητήρα ή/και του συγκρατητήρα του επαφέα σε περίπτωση σύγκρουσης.

Η συσκευή αυτή δεν είναι κατάλληλη για χρήση σε δυνητικά εκρηκτική ατμόσφαιρα.

Υπάρχει κίνδυνος μαγκώματος μεταξύ των εξαρτημάτων. Μην κρατάτε τον αισθητήρα ή την κεφαλή του αισθητήρα κατά τη διάρκεια των μετακινήσεων.

Οι ασφάλειες πρέπει να αντικαθίστανται με ασφάλειες του ίδιου τύπου και ονομαστικών χαρακτηριστικών, για λόγους ασφαλείας.

Το REVO-2 πρέπει να μεταφέρεται σε συσκευασία που παρέχεται από την Renishaw.

Τα καλώδια πρέπει να πληρούν τις προδιαγραφές της Renishaw. Η εσφαλμένη καλωδίωση ενδέχεται να προκαλέσει ζημιά στον εξοπλισμό.

RUP1 installation and user's guide

www.renishaw.com

RUP1

- Αφαιρέστε τα προστατευτικά πώματα πριν από τη χρήση:



- Θα πρέπει να χειρίζεστε τον αισθητήρα RUP1 με προσοχή
- Αποφύγετε την πτώση του αισθητήρα RUP1 ή τη σύγκρουση με τεμάχια εργασίας ή μέρη της δομής της μηχανής προσδιορισμού συντεταγμένων
- Ιδιαίτερη προσοχή πρέπει να δοθεί στο άκρο του επαφά – αποφύγετε την επαφή με τη σφαίρα ελαστομερούς, εκτός εάν χρησιμοποιείται για μέτρηση
- Εξετάστε οπτικά τη σφαίρα ελαστομερούς για τυχόν μόλυνση με ακαθαρσίες ή σκόνη
- Βεβαιωθείτε ότι οι επιφάνειες μέτρησης είναι στεγνές και χωρίς υπολείμματα πριν από την επιθεώρηση με αισθητήρα RUP1

RUP1 installation and user's guide

www.renishaw.com

EN - RUP1 Safety

CAUTION: Before unpacking and installing the REVO-2 system and accompanying probes, the user should carefully read the safety instructions below and ensure that they are followed at all times by all operators.

The RUP1 is only to be used with the Renishaw REVO-2 head.

Operators must be trained in the use and application of the REVO-2 system and accompanying products, in the context of the machine it is fitted to, before being allowed to operate that machine.

Permanent magnets are used in some components of the REVO-2 system and associated products. It is important to keep them away from items which may be affected by magnetic fields, e.g. data storage systems, pacemakers and watches etc.



Hydrophilic polymer elastomer ball

Hydrophilic polymer elastomer ball contains amongst other ingredients:

- 60-80% Ethanediol;ethylene glycol
- 1-3% 2-Propenonic acid, homopolymer, sodium salt

Hazards



- Harmful if swallowed
- May cause drowsiness or dizziness
- May cause damage to organs through prolonged or repeated exposure

Control measures

- Do not ingest
- When handling, use disposal nitrile glove and that comply with EN374-2, EN374-3, EN388 standards
- Avoid contact with strong acids, strong bases, strong oxidizing agents, and strong reducing agents
- If in contact with the skin, wash immediately
- Handle in well-ventilated area
- Avoid contact during pregnancy and while nursing

Storage and disposal

- Store in a tightly closed container
- Avoid discharge to lakes, streams, sewers, etc.
- Dispose of contents/container in accordance with local regulations

Emergency procedure

IF SWALLOWED: Call a POISON CENTER / doctor if you feel unwell.

For further information visit www.renishaw.com/SDS

RUP1 installation and user's guide

www.renishaw.com

RUP1 warnings

Beware of unexpected movement. The user should remain outside of the full working envelope of probe head and stylus. The machine supplier should ensure the user is aware of the full working envelope of the system.

In all applications involving the use of machine tools or CMMs, eye protection is recommended.

It is the machine supplier's responsibility to ensure that the user is made aware of any hazards involved in operation, including those mentioned in Renishaw product documentation, and to ensure that adequate guards and safety interlocks are provided.

Refer to the machine supplier's operating instructions.

The system components contain no user serviceable parts, with the exception of FCR25. No attempt should be made to disassemble any part of the product. In the event of a problem please contact your supplier for assistance.

Under certain circumstances the probe signal may falsely indicate a probe-seated condition. Do not rely on probe signals to stop machine movement.

Probe trigger override on the MCU joystick should be used with care, since it will prevent the CMM from stopping in the event of a collision.

The probe joints are designed to release the probe and / or the stylus holder in the event of a crash.

This equipment is not suitable for use in a potentially explosive atmosphere.

Pinch hazards exist between parts. Do not hold the probe or probe head during movements.

It is essential for continued safety that all fuses are replaced by the correct type and rating.

REVO-2 must be transported in Renishaw supplied packaging.

The cables must meet Renishaw specifications. Incorrect cabling could cause damage to the equipment.

RUP1 installation and user's guide

www.renishaw.com

RUP1

- Remove protective caps prior to use:



- The RUP1 probe should be handled with care
- Avoid dropping the RUP1 probe or colliding with workpieces or parts of the CMM structure
- Particular care should be given to the stylus tip - avoid contact with the elastomer ball unless it is being used for measurement
- Visually examine the elastomer ball for contamination of dirt or dust
- Ensure measurement surfaces are dry and clear of debris before being inspected with RUP1 probe

RUP1 installation and user's guide

www.renishaw.com

ES - Seguridad de la sonda RUP1

PRECAUCIÓN: Antes de desempaquetar e instalar el sistema REVO-2 y las sondas correspondientes, lea atentamente las instrucciones de seguridad siguientes y asegúrese de que los operarios las cumplan en todo momento.

La sonda RUP1 debe utilizarse exclusivamente con el cabezal REVO-2 de Renishaw.



Los operarios deben recibir formación sobre el uso y la aplicación del sistema REVO-2 y sus accesorios, en el contexto en el que se ajusta la máquina, antes de poder utilizarla.

Algunos componentes del sistema REVO-2 y sus accesorios utilizan imanes permanentes. Es muy importante mantenerlos alejados de otros elementos que puedan verse afectados por los campos magnéticos; por ejemplo, sistemas de almacenamiento de datos, marcapasos, relojes, etc.

Hydrophilic polymer elastomer ball

Entre otros componentes, la hydrophilic polymer elastomer ball contiene:

- 60-80 % Etanodiol;etilenglicol
- 1-3 % 2-Ácido propenónico, homopolímero, sal sódica

Peligros



- Nocivo por ingestión
- Puede provocar somnolencia y mareos
- La exposición prolongada o repetitiva puede provocar daños a los órganos

Medidas de control

- No ingerir
- Utilice guantes desechables de nitrilo conforme a las normas EN374-2, EN374-3 o EN388
- Evite el contacto con ácidos fuerte, bases potentes, potentes agentes oxidantes o agentes reductores Fuertes
- Es caso de contacto con la piel, lavar inmediatamente
- Utilizar en áreas bien ventiladas
- Evítese el contacto durante el embarazo y la lactancia

Almacenaje y desecho

- Almacenar en un contenedor bien sellado
- No desechar en lagos, ríos, alcantarillas, etc.
- Deseche el contenido y el contenedor conforme a las regulaciones locales

RUP1 installation and user's guide

www.renishaw.com

Procedimiento de emergencia

EN CASO DE INGESTA: Consulte a un CENTRO DE DESINTOXICACIÓN / o aun médico si no se encuentra bien.

Para obtener más información, visite www.renishaw.com/SDS

Avisos RUP1

Tenga cuidado con los movimientos inesperados. El operario debe quedarse fuera del entorno operativo completo compuesto por el cabezal de la sonda y el palpador. El proveedor de la máquina debe asegurarse de que el operario conoce el entorno operativo completo de la máquina.

Se recomienda usar gafas de protección en todas las aplicaciones que implican el uso de Máquinas-Herramienta y máquinas de medición de coordenadas.

Es responsabilidad del proveedor de la máquina asegurar que el usuario sea informado sobre los peligros relacionados con el funcionamiento, incluidos los peligros mencionados en la documentación de los productos Renishaw, y asegurar que se suministran los dispositivos de protección y seguridad adecuados.

Remítase a las instrucciones de uso del proveedor de la máquina.

Los componentes del sistema no contienen piezas que requieran mantenimiento del operario, salvo el modelo FCR25. No intente desmontar ninguna pieza del producto. En caso de problemas, solicite asistencia a su proveedor.

En determinadas circunstancias, la señal de la sonda puede indicar erróneamente que la sonda está asentada. No confíe en las señales de la sonda para detener la máquina.

El joystick de anulación del palpado en el sistema MCU debe utilizarse con cuidado, ya que impide la parada de la CMM en caso de colisión.

Las juntas de la sonda están diseñadas para liberar la sonda o el soporte del palpador en caso de colisión.

Este equipo no está preparado para usarse en una atmósfera con riesgo de explosión.

Existe el peligro de atraparse los dedos entre las distintas piezas. No toque la sonda ni el cabezal cuando están en movimiento.

Para mantener la seguridad, es crucial sustituir todos los fusibles por el tipo y clase adecuados.

El sistema REVO-2 debe transportarse en el embalaje original de Renishaw.

Los cables deben cumplir las especificaciones de Renishaw. Un cableado incorrecto puede provocar daños al equipo.

RUP1 installation and user's guide

www.renishaw.com

RUP1

- Retire las tapas de protección antes de usar la sonda:



- Utilice la sonda RUP1 con cuidado
- Evite que la sonda RUP1 se caiga o choque con las piezas o con la estructura de la CMM
- Preste atención especial a la punta del palpador: evite el contacto con la bola de elastómero, salvo durante la medición
- Examine visualmente la bola de elastómero para detectar restos de suciedad o polvo
- Compruebe que las superficies están secas y limpias antes de inspeccionarlas con la sonda RUP1

RUP1 installation and user's guide

www.renishaw.com

ET - RUP1 ohutus

ETTEVAATUST! Enne REVO-2 süsteseemi ja kaasasolevate sondide lahtipakkimist ja paigaldamist peaks kasutaja hoolikalt läbi lugema allolevad ohutusjuhised ning tagama, et kõik kasutajad neid alati järgiks.

RUP1 on mõeldud kasutamiseks ainult koos Renishaw REVO-2 peaga.

Enne kui neil lubatakse seda masinat kasutada, peavad kasutajad olema koolitatud REVO-2 süsteemi ja sellega kaasnevate toodete kasutamise ja rakendamise osas selle masina kontekstis, millele see on paigaldatud.

Mõnes REVO-2 süsteemi komponendis ja sellega seotud toodetes kasutatakse püsिमagnetid. Oluline on hoida neid eemal esemetest, mida magnetväljad võivad mõjutada, nt andmesalvestussüsteemid, südamestimulaatorid, kellad jne.



Hydrophilic polymer elastomer ball

Hydrophilic polymer elastomer ball sisaldab muu hulgas järgmisi koostisosi:

- 60-80% etaandiool; etüleenglükool
- 1-3% 2-propeenhape, homopolümeer, naatriumsool

Ohud



- Allaneelamisel kahjulik.
- Võib põhjustada uimasust või peapööritust.
- Pikaajalisel või korduval kokkupuutel võib kahjustada organeid.

Kontrollimeetmed

- Ärge neelake alla
- Käsitsemisel kasutage nitrilkindaid, mis vastavad standarditele EN374-2, EN374-3, EN388
- Vältige kokkupuudet tugevate hapete, aluste, oksüdeerivate ainete ja redutseerivate ainetega.
- Nahale sattumise korral pesta koheselt.
- Käidelge hästi ventileeritud kohas.
- Vältige kokkupuudet raseduse ja imetamise ajal.

Hoiustamine ja kõrvaldamine

- Hoida tihedalt suletud anumas.
- Vältida sattumist järvedesse, jõgedesse, kanalisatsiooni jne.
- Sisu ja mahuti kõrvaldada vastavalt kohalikele eeskirjadele.

Hädaolukorras tegutsemine

ALLANEELAMISE KORRAL Halva enesetunde korral võtke ühendust MÜRGIKUSTEABEKESKUSE/arstiga.

Lisateavet leiate veebisaidilt www.renishaw.com/SDS

RUP1 installation and user's guide

www.renishaw.com

RUP1 hoiatused

Olge ettevaatlik ootamatute liikumiste suhtes. Kasutaja peab jääma väljapoole kogu sondi pea ja nõela kombineeritud tööpiirkonda. Masina tarnija peab tagama, et kasutaja on teadlik süsteemi täielikust tööpiirkonnast.

Kõigis rakendustes, mis hõlmavad tööpinkide või CMM-ide kasutamist, on soovitatav silmade kaitse.

Masina tarnija vastutab selle eest, et kasutajat teavitataks kõigist tööga seotud ohtudest, sealhulgas Renishaw tootedokumentatsioonis mainitud ohtudest, ning tagama piisavate kaitsete ja turvablokeeringute olemasolu.

Vaadake masina tarnija kasutusjuhendit.

Süsteemi komponendid ei sisalda kasutaja poolt hooldatavaid osi, välja arvatud FCR25. Ärge proovige toote ühtki osa ise lahti võtta. Probleemi korral võtke palun abi saamiseks ühendust oma tarnijaga.

Teatud asjaoludel võib sondi signaal ekslikult viidata sondi seisundile. Ärge lootke masina liikumise peatamiseks sondi signaalile.

MCU juhtkangi sondi päästiku tühistamist tuleks kasutada ettevaatlikult, kuna see hoiab ära CMM-i peatumise kokkupõrke korral.

Sondi liigendid on ette nähtud sondi ja/või pliatsihoidja vabastamiseks kokkupõrke korral.

Neid seadmeid ei tohi kasutada plahvatusohtlikus keskkonnas.

Masina osade vahel eksisteerib muljumisoht. Ärge hoidke sondi ega sondi pead liikumise ajal.

Jätkuva ohutuse tagamiseks on oluline, et kõik kaitsmed asendataks õiget tüüpi ja nimiväärtusega kaitsmetega.

REVO-2 tuleb transportida Renishaw' tarnitud pakendis.

Kaablid peavad vastama Renishaw' tehnilistele tingimustele. Vale kaabeldus võib seadmestikku kahjustada.

RUP1 installation and user's guide

www.renishaw.com

RUP1

- Enne kasutamist eemaldage kaitsekorgid:



- RUP1 sondi tuleb käsitseda ettevaatlikult.
- Vältige RUP1 sondi mahakukkumist või kokkupõrget töödeldavate detailide või CMM-i struktuuri osadega.
- Erilist tähelepanu tuleks pöörata pliitsi otsale – vältige kokkupuudet elastomeerkuuliga, välja arvatud juhul, kui seda kasutatakse mõõtmiseks.
- Kontrollige visuaalselt elastomeerkuuli mustuse või tolmu saastumise suhtes.
- Enne RUP1 sondiga kontrollimist veenduge, et mõõtepinna oleks kuivad ja prahist puhtad.

RUP1 installation and user's guide

www.renishaw.com

FI - RUP1 - turvallisuus

HUOMIO: Käyttäjän on luettava turvallisuusohjeet huolellisesti ja varmistettava, että kaikki käyttäjät noudattavat niitä aina, ennen kuin REVO-2-järjestelmän sekä siihen liittyvien antureiden pakkaukset avataan ja laitteet asennetaan.

RUP1-anturia saa käyttää ainoastaan Renishaw'n REVO-2-pään kanssa.



Ennen kuin käyttäjille annetaan lupa käyttää REVO-2-järjestelmää ja siihen liittyviä tuotteita siinä kokoonpanossa, johon ne on asennettu, heitä tulee opastaa niiden käytössä ja soveltamisessa.

Joissakin REVO-2-järjestelmän ja siihen liittyvien tuotteiden komponenteissa käytetään kestopagneetteja. On tärkeää, ettei kestopagneettien lähelle viedä tuotteita, jotka saattavat reagoida magneettikenttiin, kuten tiedontallennusvälineitä, tahdistimia tai kelloja.

Hydrophilic polymer elastomer ball

Hydrophilic polymer elastomer ball sisältää mm. seuraavia aineita:

- 60–80 % etyleeniglykolia
- 1–3 % 2-propeenihappoa, homopolymeeriä, natriumsuolaa.

Vaarat



- Haitallista nieltynä.
- Saattaa aiheuttaa uneliaisuutta tai huimausta.
- Saattaa vahingoittaa elimiä pitkäaikaisessa tai toistuvassa altistumisessa.

Varotoimenpiteet

- Ei saa niellä.
- Käytä käsitellessäsi EN374-2-, EN374-3- ja EN388-standardien mukaisia kertakäyttöisiä nitrilikäsineitä.
- Vältä kosketusta voimakkaiden happojen, voimakkaiden emästen, voimakkaasti hapettavien aineiden ja voimakkaiden pelkisteiden kanssa.
- Jos kemikaalia joutuu kosketuksiin ihon kanssa, pese välittömästi.
- Käsittele paikassa, jossa on hyvä ilmanvaihto.
- Vältä kosketusta raskauden ja imetyksen aikana.

Säilytys ja hävittäminen

- Säilytettävä tiiviisti suljettuna.
- Vältä pääsyä järviin, puroihin, viemäriin jne.
- Hävitä sisältö/pakkaus paikallisten määräysten mukaisesti.

RUP1 installation and user's guide

www.renishaw.com

Hätätoimenpiteet

JOS KEMIKAALIA ON NIELTY: ota yhteys MYRKYTYSTIETOKESKUKSEEN/lääkäriin, jos ilmenee pahoinvointia.

Lisätietoja löytyy osoitteesta www.renishaw.com/SDS

RUP1 – varoitukset

Varo odottamatonta liikettä. Käyttäjän tulee pysytellä täysin anturin pään ja mittakärjen liikealueen ulkopuolella. Koneen toimittajan on varmistettava, että käyttäjä tuntee järjestelmän liikealueen.

Silmänsuojainten käyttö on suositeltavaa kaikkia työstökoneita ja koordinaattimittauskoneita (CMM) käytettäessä.

Koneen toimittajan vastuulla on, että käyttäjä on saanut tiedon mahdollisista käyttöön liittyvistä vaaroista, mukaan lukien Renishaw'n tuoteselosteessa mainitut vaarat. Koneen toimittajan tulee myös varmistaa, että suojukset ja turvalukitukset ovat riittävät.

Katso koneen toimittajan käyttöohjeet.

Järjestelmän komponentit eivät sisällä käyttäjän huollettavia osia. Poikkeuksena on FCR25. Mitään tuotteen osia ei saa yrittää purkaa. Ongelmatapauksissa ota yhteys järjestelmän toimittajaan ohjeita varten.

Tietyissä olosuhteissa anturilta tuleva signaali saattaa virheellisesti osoittaa, että anturi on paikallaan. Älä luota siihen, että anturin signaalit pysäyttävät koneen liikkeen varmuudella.

Anturin liipaisimen MCU-ohjainsauvassa olevaa ohitustoimintoa tulee käyttää varoen, koska se estää koordinaattimittauskonetta pysähtymästä törmäystilanteessa.

Anturin liitokset on suunniteltu niin, että ne vapauttavat anturin ja/tai mittakärjen pidikkeen törmäystilanteessa.

Näitä laitteita ei saa käyttää räjähdysalttiissa tilassa.

Osien välissä on puristuksiin jäämisen vaara. Älä pidä kiinni anturista tai anturin päästä liikkeiden aikana.

Jatkuvan turvallisuuden varmistamiseksi on ehdottoman tärkeää, että kaikki sulakkeet vaihdetaan oikeantyyppisiin ja -arvoisiin sulakkeisiin.

REVO-2 tulee kuljettaa Renishaw'n toimittamassa pakkauksessa.

Kaapeleiden tulee täyttää Renishaw'n vaatimukset. Virheellinen kaapelointi voi aiheuttaa laitevahinkoja.

RUP1 installation and user's guide

www.renishaw.com

RUP1

- Poista suojakannet ennen käyttöä.



- RUP1-anturia tulee käsitellä varoen.
- Varo pudottamasta RUP1-anturia tai sen osumista työkappaleisiin tai koordinaattimittauskoneen osiin.
- Mittakärjen päähän tulee kiinnittää erityistä huomiota: välttä koskettamasta elastomeerikuulaa, ellei sitä käytetä mittaamiseen.
- Tarkista silmämääräisesti, onko elastomeerikuulassa likaa tai pölyä.
- Varmista, että mitattavat pinnat ovat kuivat ja puhtaat, ennen kuin ne tarkistetaan RUP1-anturilla.

RUP1 installation and user's guide

www.renishaw.com

FR - Sécurité du RUP1

ATTENTION : Avant de déballer et d'installer le système REVO-2 et les palpeurs l'accompagnant, l'utilisateur doit lire attentivement les instructions de sécurité suivantes et faire en sorte qu'elles soient respectées en permanence par tous les opérateurs.

La gamme de palpeurs RUP1 s'utilise uniquement avec le système de tête REVO-2 Renishaw.

Avant d'être autorisés à utiliser cette machine, les opérateurs doivent être formés à l'usage et aux applications du système REVO-2 et des produits qui l'accompagnent et ce, dans le contexte de la machine où ce système est installé.

Des aimants permanents sont utilisés dans certains composants du système REVO-2 et ses produits associés. Il faut impérativement les tenir à distance des objets susceptibles d'être affectés par les champs magnétiques tels que les systèmes de stockage de données, stimulateurs cardiaques, montres-bracelets, etc.



Hydrophilic polymer elastomer ball

La hydrophilic polymer elastomer ball contient entre autres ingrédients :

- 60-80 % Éthanediol ; éthylène glycol
- 1-3 % acide 2-propénonique, homopolymère, sel de sodium

Risques



- Nocif en cas d'ingestion
- Peut occasionner une somnolence ou des étourdissements
- Risque présumé d'effets graves pour les organes à la suite d'expositions répétées ou d'une exposition prolongée.

Mesures de contrôle

- Ne pas ingérer
- Lors de la manipulation, utiliser des gants en nitrile jetables et conformes aux normes EN374-2, EN374-3, EN388
- Éviter le contact avec des acides forts, des bases fortes, des agents oxydants et des agents réducteurs puissants
- En cas de contact avec la peau, laver immédiatement
- Manipuler dans un endroit bien ventilé
- Éviter tout contact avec la substance au cours de la grossesse et pendant l'allaitement

Entreposage et élimination

- Conserver dans un récipient hermétiquement fermé
- Éviter le rejet dans les lacs, les ruisseaux, les égouts, etc.
- Éliminer le contenu/récipient conformément à la réglementation locale

RUP1 installation and user's guide

www.renishaw.com

Procédure d'urgence

EN CAS D'INGESTION : Appeler un CENTRE ANTIPOISON / un médecin en cas de malaise.

Pour plus d'informations, consultez www.renishaw.com/SDS

Avertissements RUP1

Attention aux mouvements imprévisibles. L'utilisateur doit toujours rester en dehors de la zone de sécurité de la tête de palpation et du stylet. Le fournisseur de la machine doit s'assurer que l'utilisateur a pris connaissance des mesures de sécurité liées à l'utilisation du système.

Le port de lunettes de protection est recommandé pour toute application sur machine-outil ou MMT.

Il incombe au fournisseur de la machine de s'assurer que l'utilisateur a pris connaissance des dangers d'utilisation, y compris ceux décrits dans la documentation du produit Renishaw, et de s'assurer que des protections et verrouillages de sûreté adéquats sont prévus.

Consulter le mode d'emploi du fournisseur de la machine.

Hormis le FCR25, les composants du système ne peuvent pas être réparés par l'utilisateur. N'essayez pas de démonter une partie du produit quelle qu'elle soit. En cas de problème, contactez le fournisseur pour lui demander de l'aide.

Il peut arriver dans certains cas que le signal du palpeur indique à tort son état "au repos". Il ne faut pas se fier aux signaux venant du palpeur car ils ne garantissent pas toujours l'arrêt de la machine.

La commande d'inhibition de déclenchement du palpeur sur le joystick MCU doit être utilisée avec précaution, car elle empêchera la MMT de s'arrêter en cas de collision.

Les extrémités du palpeur sont conçues pour libérer le palpeur et/ou le porte-stylet en cas de collision.

Cet équipement ne convient pas à un usage en atmosphère explosive.

Il y a des risques de pincement entre les pièces. Ne pas tenir le palpeur ou sa tête pendant les mouvements.

Pour des raisons de sécurité, il est essentiel de remplacer tous les fusibles en respectant leur type et leur ampérage.

Le transport du système REVO-2 doit s'effectuer dans l'emballage fourni par Renishaw.

Les câbles doivent répondre aux spécifications Renishaw. Un câblage incorrect peut entraîner des détériorations de l'équipement.

RUP1 installation and user's guide

www.renishaw.com

RUP1

- Retirer les capuchons de protection avant utilisation :



- Le palpeur RUP1 doit être manipulé avec soin
- Éviter de laisser tomber le palpeur RUP1 ou d'entrer en collision avec des pièces ou des parties de la structure MMT
- Un soin particulier doit être apporté à la pointe du stylet. Éviter tout contact avec la bille en élastomère à moins qu'elle ne soit utilisée pour la mesure
- Examiner visuellement la bille en élastomère pour détecter toute contamination par de la saleté ou de la poussière
- Assurez-vous que les surfaces de mesure soient sèches et exemptes de débris avant d'être inspectées avec le palpeur RUP1

RUP1 installation and user's guide

www.renishaw.com

GA - Sábháilteacht RUP1

AIRE: Ba chóir don úsáideoir na treoracha sábháilteachta thíos a léamh go cúramach sula ndéantar an córas REVO-2 agus na tóireadóirí tionlacain a dhíphacáil agus a shuiteáil, agus a chinntiú go leanann gach oibreoir iad i gcónaí.

Níor chóir an RUP1 a úsáid ach amháin le ceann Renishaw REVO-2.

Ní mór go mbeadh oibreoirí oilte ar úsáid agus ar fheidhmiú chóras REVO-2 agus na dtáirgí tionlacain, i gcomhthéacs an innill ar a bhfuil sé feistithe, sula gceadaítear dóibh an t-inneall sin a úsáid.

Tá buanmhaighnéid i gcuid de chomhpháirteanna chóras REVO-2 agus i dtáirgí gaolmhara. Tá sé tábhachtach iad a choinneáil amach ó earraí a bhféadfadh réimsí maignéadacha cur isteach orthu, m.sh. córais stórála sonraí, séadairí agus uaireadóirí srl.



Hydrophilic polymer elastomer ball

Tá na comhábhair seo a leanas, i measc comhábhar eile, le fáil i hydrophilic polymer elastomer ball:

- 60-80% Eatáindé-ól;gliocól eitéiléine
- 1-3% Aigéad 2-Própánóch, homapolaiméir, salann sóidiam

Guaiseacha



- Díobhálach má shlogtar
- D'fhéadfadh sé a bheith ina chúis le codlatacht nó le meadrán
- D'fhéadfadh sé damáiste a dhéanamh d'orgáin trí nochtadh fada nó ilnochtadh

Bearta rialaithe

- Ná hionghabháil
- Nuair a bhíonn tú á láimhseáil, úsáid lámhainn nitríle atá indiúscartha agus a bhfuil caighdeáin EN374-2, EN374-3, EN388 á comhlíonadh aici
- Seachain teagmháil le haigéid láidre, bunanna láidre, ocsaídeoirí láidre agus dí-ocsaídeoirí láidre
- Má dhéantar teagmháil leis an gcraiceann, nigh láithreach
- Láimhseáil i limistéar dea-aerálaithe
- Seachain teagmháil le linn toirchis agus le linn cíoch á tabhairt

Stóráil agus diúscairt

- Stóráil i gcoimeádán atá dúnta go docht
- Seachain sceitheadh i lochanna, sruthanna, séaraigh, srl.
- Diúscair ábhair/coimeádán de réir rialachán áitiúil

RUP1 installation and user's guide

www.renishaw.com

Nós imeachta éigeandála

MÁ SHLOGTAR: Cuir glao ar IONAD NIMHE / ar dhochtúir má bhraitheann tú tinn.

Má theastaíonn tuilleadh faisnéise uait tabhair cuairt ar www.renishaw.com/SDS

Rabhaidh RUP1

Fainic an chorraíl gan choinne. Ba chóir don oibreoir fanacht glan amach ó réimse iomlán oibre cheann an tóireadóir agus an stílis. Ba chóir do sholáthraí an innill a chinntiú go bhfuil an t-úsáideoir airdeallach ar imchlúdach iomlán oibre an chórais.

Moltar cosaint súile i ndáil le gach feidhmiú lena mbaineann úsáid uirlisí innill nó CMManna.

Is ar sholáthraí an innill atá an fhreagracht a chinntiú go gcuirtear an t-úsáideoir ar an eolas maidir le haon ghuais a bhaineann leis an oibriúchán, lena n-áirítear iad siúd a luaitear i ndoiciméad táirge Renishaw, agus a chinntiú go soláthraítear sciatha agus comhghlasáil sábháilteachta leordhóthanach.

Déan tagairt do threoracha oibriúcháin sholáthraí an innill.

Níl aon pháirt is féidir leis an úsáideoir a sheirbhísiú i gcomhpháirteanna an chórais, ach is eisceacht é FCR25. Níor chóir aon iarracht a dhéanamh aon chuid den táirge a bhaint dá chéile. I gcás faidhbe, téigh i dteagmháil le do sholáthraí chun cúnamh a fháil.

Féadtar staid bhréagach tóireadóir-shuite a léiriú ar comhartha an tóireadóir in imthosca áirithe. Ná bí ag brath ar chomharthaí tóireadóir chun stop a chur le gluaiseacht an innill.

Ba cheart oibriú an truícir tóireadóir ar an luamhán stiúrtha MCU a úsáid go cúramach, de bhrí go gcoiscfidh sé an CMM ó stopadh i gcás imbhuailte.

Tá ailt an tóireadóir deartha chun an tóireadóir agus / nó coinneálaí an stílis a scaoileadh i gcás tuairte.

Níl an trealamh seo oiriúnach le haghaidh úsáide in atmaisféar ina bhféadfadh pléascadh tarlú.

Tá guaiseacha cúnúcháin idir na páirteanna. Ná coinnigh greim ar an tóireadóir nó ar cheann an tóireadóir le linn gluaiseachtaí.

Tá sé riachtanach chun sábháilteacht leanúnach a chinntiú go gcuirtear fiúsanna den chineál ceart agus leis an rátáil cheart in áit seanfiúsanna.

Ní mór REVO-2 a iompar i bpacáistíocht arna soláthar ag Renishaw.

Ní mór go mbeadh na cáblaí ag teacht le sonraíochtaí Renishaw. D'fhéadfadh cáblú mícheart damáiste a dhéanamh don trealamh.

RUP1 installation and user's guide

www.renishaw.com

RUP1

- Bain caipíní cosanta roimh úsáid:



- Ba cheart tóireadóir RUP1 a láimhseáil go cúramach
- Ná lig don tóireadóir RUP1 titim nó bualadh in aghaidh saotharphíosaí nó páirteanna de struchtúr CMM
- Ba cheart a bheith cúramach le barr an stílis go háirithe - seachain teagmháil leis an liathróid leaistiméire mura bhfuil sé in úsáid chun críche tomhais
- Scrúdaigh an liathróid leaistiméire agus bí ag faire amach do shalachar nó do dheannach
- Cinntigh go bhfuil dromchlaí tomhais tirim agus nach bhfuil aon smionagar orthu sula ndéanann tú scrúdú orthu le tóireadóir RUP1

RUP1 installation and user's guide

www.renishaw.com

HR - Sigurnost sustava RUP1

OPREZ: Prije raspakivanja i postavljanja sustava REVO-2 i povezanih sonda korisnik mora pažljivo pročitati dolje navedene sigurnosne upute i pobrinuti se da ih se pridržavaju svi operateri.

RUP1 upotrebljava se samo s glavom REVO-2 koju proizvodi društvo Renishaw.

Prije nego što im se odobri rukovanje strojem, operatere treba obučiti o upotrebi i primjeni sustava REVO-2 i povezanih proizvoda u kontekstu stroja na koji se sustav postavlja.

U nekim komponentama sustava REVO-2 i povezanih proizvoda upotrebljavaju se trajni magneti. Važno je držati ih podalje od predmeta na koje se može utjecati magnetskim poljima, npr. sustava pohrane podataka, elektrostimulatora srca, satova itd.



Hydrophilic polymer elastomer ball

Hydrophilic polymer elastomer ball sadržava, između ostalog, sljedeće sastojke:

- etandiol od 60 do 80 %, etilen-glikol
- 2-propenska kiselina od 1 do 3 %, homopolimer, natrijeva sol.

Opasnosti



- Štetno ako se proguta.
- Može izazvati pospanost ili vrtoglavicu.
- Može uzrokovati oštećenje organa tijekom produžene ili ponavljane izloženosti.

Kontrolne mjere

- Ne gutajte.
- Pri rukovanju upotrebljavajte nitrilne rukavice koje su u skladu s normama EN374-2, EN374-3 i EN388.
- Izbjegavajte dodir s jakim kiselinama, jakim bazama, jakim oksidirajućim agensima i jakim reducirajućim agensima.
- U slučaju dodira s kožom, odmah isperite.
- Rabiti u dobro prozračenom prostoru.
- Izbjegavati dodir tijekom trudnoće i dojenja.

Čuvanje i zbrinjavanje

- Čuvati u dobro zatvorenom spremniku
- Izbjegavati ispuštanje u jezera, potoke, kanalizaciju itd.
- Zbrinite sadržaj/spremnik u skladu s lokalnim propisima.

Postupak u slučaju nužde

AKO SE PROGUTA: u slučaju zdravstvenih tegoba nazvati CENTAR ZA KONTROLU OTROVANJA / liječnika.

Za više informacija posjetite mrežnu stranicu www.renishaw.com/SDS

RUP1 installation and user's guide

www.renishaw.com

Upozorenja za sustav RUP1

Budite oprezni zbog mogućnosti neočekivanog pomicanja. Korisnik mora ostati izvan cijelog radnog djelokruga glave sonde i ticala. Dobavljač stroja mora se pobrinuti da je korisnik upoznat s cijelim radnim djelokrugom sustava.

U svim primjenama koje uključuju upotrebu alatnih strojeva ili CMM-ova preporučuje se upotreba zaštite za oči.

Dobavljač stroja dužan je pobrinuti se da se korisnik upozori na sve opasnosti tijekom rada uključujući one navedene u dokumentaciji proizvođača Renishaw te omogućiti odgovarajuće zaštite i sigurnosne blokade.

Pogledajte upute za rad dobavljača stroja.

Komponente sustava ne sadržavaju dijelove koje korisnik može sam servisirati osim ako je riječ o dijelu FCR25. Ne pokušavajte rastavljati bilo koji dio proizvoda. Ako nastane problem, obratite se svom dobavljaču za pomoć.

U određenim okolnostima signal sonde može lažno ukazivati na stanje vezano uz postavljeni položaj sonde. Ne pouzdajte se u signale sonde kako biste zaustavili kretanje stroja.

Treba pažljivo upotrebljavati premošćivanje okidača sonde na upravljačkoj palici MCU-a jer se njime sprječava zaustavljanje CMM-a u slučaju sudara.

Zglobovi sonde osmišljeni su da u slučaju sudara otpuste sondu i/ili držač ticala.

Ova oprema nije prikladna za upotrebu u potencijalno eksplozivnoj atmosferi.

Postoji opasnost od uklještenja između dijelova. Ne držite sondu ili glavu sonde dok su u pokretu.

Kako biste zajamčili trajnu sigurnost, morate osigurače zamijeniti osiguračima odgovarajuće vrste i nazivne snage.

Sustav REVO-2 treba prenositi u ambalaži koju isporučuje društvo Renishaw.

Kabli moraju biti u skladu sa specifikacijama društva Renishaw. Nepravilnim postavljanjem kabela može se prouzročiti oštećenje opreme.

RUP1 installation and user's guide

www.renishaw.com

RUP1

- Prije upotrebe uklonite zaštitne kapice:



- Treba pažljivo rukovati sondom RUP1.
- Pripazite da ne isпустite sondu RUP1 ili da se ne sudari s drugim obrtcima ili dijelovima konstrukcije CMM-a.
- Budite posebno oprezni s vrškom ticala – izbjegavajte doticaj s elastomernom kuglicom ako se ne upotrebljava za mjerenje.
- Vizualno provjerite je li se elastomerna kuglica onečistila prljavštinom ili prašinom.
- Prije pregledavanja sondom RUP1 provjerite jesu li mjerne površine suhe i ima li na njima kakvih nečistoća.

RUP1 installation and user's guide

www.renishaw.com

HU - A RUP1 biztonsági tudnivalók

VIGYÁZAT: A REVO-2 rendszer és a kapcsolódó mérőfejek kicsomagolása, illetve telepítése előtt a felhasználónak gondosan el kell olvasnia az alábbi biztonsági utasításokat és biztosítania kell, hogy azokat a rendszer minden kezelője, mindig betartsa.

A RUP1 csak a Renishaw REVO-2 fejjel használható.

A kezelőknek képzésben kell részesülniük a REVO-2 rendszer és a kapcsolódó termékek használata és alkalmazása terén, a gép alkalmazási környezetének megfelelően, mielőtt engedélyezik számukra a gép kezelését.

A REVO-2 rendszer és a kapcsolódó termékek egyes alkatrészeiben állandó mágnesek találhatóak. Ezeket távol kell tartani olyan tárgyaktól, amelyeket a mágneses mezők károsíthatnak, pl. adattároló rendszerek, pacemakerek, karórák stb.



Hydrophilic polymer elastomer ball

Hydrophilic polymer elastomer ball többek között a következőket tartalmazza:

- 60–80% etándiol; etilenglikol
- 1–3% 2-propénsav, homopolimer, nátriumsó

Veszélyek



- Lenyelése káros
- Álmosságot vagy szédülést okozhat
- Hosszan tartó vagy ismételt expozíció esetén szervi károsodást okozhat

Óvintézkedések

- Lenyelni tilos
- Kezelésekor használjon nitrilkesztyűt, amely megfelel az EN374-2, az EN374-3 és az EN388 szabványnak
- Kerülje az erős savakkal, erős bázisokkal, erős oxidálószerekkel és erős redukálószerekkel való érintkezést
- Bőrrel való érintkezés esetén azonnal mossa le
- Kezelje jól szellőztetett helyen
- Terhesség és szoptatás alatt kerülje az anyaggal való érintkezést

Tárolás és ártalmatlanítás

- Jól zárható tartályban tárolandó
- Ne öntse az anyagot tavakba, patakokba, csatornába stb.
- A tartályt/tartalmát a helyi előírásoknak megfelelően ártalmatlanítsa

Vészhelyzeti eljárás

LENYELÉS ESETÉN: Ha rosszul érzi magát, hívja a mentőket

További információért látogasson el a következő weboldalra: www.renishaw.com/SDS

RUP1 installation and user's guide

www.renishaw.com

RUP1 – figyelmeztetések

Legyen óvatos a nem várt mozgások tekintetében. Tartózkodjon a mérőfej és a tapintószár teljes munkatartományán kívül! A gép forgalmazójának meg kell győződnie arról, hogy a felhasználó tisztában van a gép teljes munkatartományával.

Szerszámgépek és koordináta-mérőgépek használata során mindig javasolt a szemvédő viselése.

A gép gyártójának kötelessége felhívni a felhasználó figyelmét a berendezés használata során fennálló valamennyi veszélyre, beleértve a Renishaw termékeihez tartozó dokumentációban említett kockázatokat is; emellett az ő felelőssége a megfelelő védőelemek és biztonsági megszakító berendezések biztosítása is.

Ezzel kapcsolatban tekintse át a gép gyártója által kiadott kezelési utasítást.

A rendszer alkotórészei nem tartalmaznak a felhasználó által javítható részeket, kivéve az FCR25. Ne próbálkozzon a termék egyetlen részének szétszerelésével sem. Probléma esetén kérjük, forduljon segítségért a forgalmazóhoz.

A mérőfej jel bizonyos körülmények között tévesen jelezheti, hogy a mérőfej még nem tért ki. Ne hagyatkozzon a mérőfej jelére, ha meg kell állítani a gépet.

Az MCU joystickon lévő tapítás érzékelő kapcsolót körültekintően kell használni, mivel ütközés esetén megakadályozza, hogy a koordinátamérő gép megálljon.

A mérőfej csatlakozásai úgy vannak kialakítva, hogy ütközés esetén elengedjék a mérőfejet és/vagy a tapintószár-tartót.

Ez a berendezés nem alkalmas potenciálisan robbanékony légkörben történő használatra.

Az alkotórészek becsípődést okozhatnak. Ne fogja meg a tapintót vagy a mérőfejet mozgás közben.

A biztonság folyamatos fenntartása érdekében elengedhetetlen, hogy minden biztosítékot megfelelő típusú és terhelhetőségű biztosítékra cseréljen ki.

A REVO-2 csak a Renishaw által biztosított csomagolásban szállítható.

A kábeleknek meg kell felelniük a Renishaw előírásainak. A helytelen kábelezés kárt tehet a berendezésben.

RUP1 installation and user's guide

www.renishaw.com

RUP1

- Használat előtt távolítsa el a védősapkákat:



- A RUP1 mérőfejet óvatosan kell kezelni
- Ne ejtse le a RUP1 mérőfejet, és ne üsse hozzá munkadarabokhoz vagy a koordinátamérőgép részeihez
- A tapintószár csúcsára különösen ügyelni kell. Csak akkor érjen hozzá az elastomer golyóhoz, ha éppen mérésre használják
- Szemrevételezéssel vizsgálja meg az elastomer golyót szennyeződést és port keresve
- A RUP1 mérőfejjel történő vizsgálat előtt győződjön meg arról, hogy a mérési felületek szárazak, és forgácsmentesek

RUP1 installation and user's guide

www.renishaw.com

IT - RUP1 - sicurezza

AVVERTENZA: Prima di estrarre dall'imballo il sistema REVO-2 e le relative sonde e iniziare l'installazione, leggere attentamente le istruzioni riportate di seguito e controllare che vengano sempre rispettate da tutti gli operatori.

La sonda RUP1 va utilizzata esclusivamente con la testa REVO-2 di Renishaw.

Prima di utilizzare una macchina che include il sistema REVO-2, gli operatori devono essere addestrati all'uso del sistema e dei prodotti accessori nel contesto in cui essi vengono utilizzati.

Alcuni componenti del sistema REVO-2 e di prodotti associati includono magneti. Non avvicinare prodotti che possano essere influenzati da campi magnetici come, ad esempio, sistemi di immagazzinamento dati, orologi, pacemaker e così via.



Hydrophilic polymer elastomer ball

Hydrophilic polymer elastomer ball è composta da diversi ingredienti, fra cui:

- 60-80% etandiolo, glicole etilenico
- 1-3% acido 2-propenoico, omopolimero, sale di sodio

Pericoli



- Nocivo se ingerito
- Può causare sonnolenza o vertigini
- L'esposizione prolungata o ripetuta può danneggiare gli organi

Misure di controllo

- Non ingerire
- Durante l'uso, indossare guanti monouso in nitrile, conformi agli standard EN374-2, EN374-3, EN388
- Evitare il contatto con acidi e basi forti e con agenti ossidanti e riducenti forti
- In caso di contatto epidermico, lavare immediatamente
- Utilizzare in aree ben ventilate
- Evitare il contatto durante la gravidanza e l'allattamento

Conservazione e smaltimento

- Conservare in un contenitore ermetico
- Non smaltire in laghi, fiumi, scarichi fognari e così via
- Smaltire il contenuto/contenitore in conformità alle normative locali vigenti

Procedure di emergenza

IN CASO DI INGESTIONE: In caso di malessere, contattare un CENTRO AVVELENAMENTI o un medico.

Per maggiori informazioni, visitare il sito www.renishaw.com/SDS

RUP1 installation and user's guide

www.renishaw.com

Avvertenze per RUP1

Fare attenzione ai movimenti improvvisi. Si raccomanda all'utente di tenersi al di fuori dello spazio operativo della testa e dello stilo. È responsabilità del fornitore della macchina assicurarsi che l'utente sia a conoscenza dell'intero spazio operativo del sistema.

Si raccomanda di indossare occhiali protettivi in applicazioni che comportano l'utilizzo di macchine utensili e macchine di misura a coordinate.

Il fornitore della macchina ha la responsabilità di avvertire l'utente dei pericoli inerenti al funzionamento della stessa, compresi quelli riportati nelle istruzioni di Renishaw, e di fornire dispositivi di sicurezza e interblocchi di sicurezza adeguati.

Consultare le istruzioni d'uso fornite dal fabbricante della macchina.

I componenti del sistema (ad eccezione di FCR25) non contengono parti riparabili dall'utente. Non tentare di smontare i componenti del prodotto. In caso di problemi, contattare il fornitore e richiedere assistenza.

È possibile che in certe situazioni venga erroneamente prodotto un segnale che indica che la sonda è in posizione. Non fare affidamento sui segnali di stato sonda per arrestare il movimento della macchina.

L'override di attivazione sonda del joystick MCU deve essere utilizzato con prudenza, perché impedisce l'arresto della CMM in caso di collisione.

Nel caso in cui si verifichi una collisione, i giunti sono stati progettati in modo da rilasciare la sonda e/o il portastilo.

Questo dispositivo non è adatto all'uso in ambienti in cui esiste il rischio di esplosioni.

Esiste il rischio di rimanere impigliati fra i componenti. Non trattenere la sonda o la testa durante gli spostamenti.

Per essere in condizioni di sicurezza continuativa è indispensabile che tutti i fusibili siano sostituiti con un componente del tipo corretto e di uguale valore nominale.

REVO-2 deve essere trasportata solo utilizzando l'apposito imballaggio fornito da Renishaw.

I cavi devono essere conformi alle specifiche Renishaw. L'utilizzo di cavi non adeguati potrebbe danneggiare il dispositivo.

RUP1 installation and user's guide

www.renishaw.com

RUP1

- Rimuovere i cappucci protettivi prima dell'uso:



- Maneggiare la sonda RUP1 con estrema attenzione
- Evitare di far cadere la sonda RUP1 ed evitare che entri in collisione con il pezzo o con parti della struttura della CMM
- Prestare particolare attenzione alla punta dello stilo. Evitare il contatto con la sfera elastomerica, a meno che non venga utilizzata per effettuare misure
- Ispezionare la sfera elastomerica per verificare che non sia contaminata con polvere o sporcizia
- Prima di iniziare l'ispezione con la sonda RUP1, assicurarsi che le superfici da misurare siano asciutte e pulite

RUP1 installation and user's guide

www.renishaw.com

JA - RUP1 安全性

注意: REVO-2 システムおよび付属プローブの梱包を解いてインストールを始める前に、次の安全性に関する注意事項をよく読み、これらの事項を常に遵守してください。

RUP1 には、レニショーの REVO-2 ヘッドのみを使用してください。

REVO-2 システムおよびその付属製品を使用する場合、オペレーターは機械の操作を始める前に、実際に取り付けられている機械を使って、その使用方法や安全性等について適切なトレーニングを受けてください。

REVO-2 システムと関連製品の一部コンポーネントには、永久磁石が使用されています。データ格納システム、ペースメーカー、時計など、磁界の影響を受けるものは近づけないでください。



Hydrophilic polymer elastomer ball

Hydrophilic polymer elastomer ball には以下の成分が含まれています。

- 60～80% のエタジオール、エチレングリコール
- 1～3% の 2-プロペン酸、ホモポリマー、ナトリウム塩

危険性



- 飲み込むと有害です
- 眠気やめまいを引き起こすことがあります
- 長期ばく露または反復ばく露により臓器を損傷することがあります

管理対策

- 絶対に飲み込まないこと
- 取り扱う際は、EN374-2、EN374-3、EN388 の基準に適合したニトリル製使い捨て手袋を着用すること
- 強酸、強塩基、強酸化剤、強還元剤との接触を避けること
- 皮膚に付着した場合は直ちに水で洗い流すこと
- よく換気した場所で取り扱うこと
- 妊娠中および授乳期は接触を避けること

保管と廃棄

- 密閉容器に保管すること
- 湖沼、河川、下水道等への排出を避けること
- 地域の規則に従って内容物や容器を廃棄すること

緊急時の措置

飲み込んだ場合: 体調が悪い場合は、中毒管理センターや医師に連絡すること

詳細については、www.renishaw.com/SDS をご覧ください

RUP1 installation and user's guide

www.renishaw.com

RUP1 に関する警告

予想外の動作に注意してください。ユーザーは、プローブヘッドとスタイラスの全可動範囲に入らないようにしてください。測定機の納入者は、ユーザーがシステムの全稼動範囲を把握していることを確認してください。

工作機械や三次元測定機を使用する場合は、保護眼鏡の着用を推奨します。

レニショーの製品説明書に記載されている内容も含め、操作に伴うあらゆる危険性をユーザーへ周知してください。また、適切な保護機構とインターロックシステムの設置は、各工作機械メーカーの責任で行なってください。

機械メーカーの操作説明書を参照してください。

システムには、FCR25 を除いてユーザーが整備可能なパーツはありません。製品から部品を取り外そうとしないでください。問題があるような場合は、サプライヤに連絡してください。

ある状況下では、プローブ信号出力が正しく出力されない場合もあります。プローブ信号のみに頼って機械を停止させないようにしてください。

MCU ジョイスティックのプローブトリガーオーバーライド機能を使用すると、衝突時に三次元測定機が停止しなくなる可能性があるため、十分注意が必要です。

プローブの結合部は、衝突時にプローブやスタイラスホルダが外れるように設計されています。

この装置は、爆発の可能性のある場所での使用には適していません。

パーツの間に指を挟まれないように注意してください。動作中は、プローブやプローブヘッドを手で持たないようにしてください。

ヒューズを交換される際は安全にご使用いただく為にも、必ず正しいタイプ、容量のものと交換してください。

REVO-2 は、レニショーが提供した格納箱に入れて持ち運んでください。

ケーブルは、レニショーの仕様に合った製品を使用してください。不適当なケーブルを使用すると、装置を損傷する可能性があります。

RUP1 installation and user's guide

www.renishaw.com

RUP1

- 使用前に保護キャップを取り外してください。



- RUP1 プローブは注意して取り扱う必要があります。
- RUP1 プローブを落下させたり、ワークや三次元測定機の構造部に衝突させないように十分に注意してください。
- スタイラス先端の取扱いに特に注意してください。測定時以外はエラストマーボールに接触させないでください。
- エラストマーボールに汚れやゴミが付着していないことを必ず目視確認してください。
- RUP1 プローブで検査する前に、測定面が完全に乾燥しており、異物が付着していないことを必ず確認してください。

RUP1 installation and user's guide

www.renishaw.com

LT - RUP1 sauga

ATSARGIAI! Prieš išpakuodami ir montuodami sistemą REVO-2 ir susijusius zondus, atidžiai perskaitykite pateikiamas saugos instrukcijas ir užtikrinkite, kad visi operatoriai jų laikytųsi kiekvieną kartą.

RUP1 turi būti naudojamas tik su „Renishaw REVO-2“ galvute.

Prieš leidžiant naudoti įrenginius, į kuriuos įmontuojama sistema REVO-2 ir kiti su šia sistema naudojami įtaisai, operatoriai turi būti išmokyti jais dirbti.

Kai kuriose sistemos REVO-2 dalyse ir su ja naudojamuose įtaisuose yra nuolatinių magnetų. Todėl svarbu arti jų nelaikyti prietaisų, kuriuos gali paveikti magnetinis laukas, pavyzdžiui, duomenų atmintinių, širdies stimuliatorių, laikrodžių ir kt.



Hydrophilic polymer elastomer ball

Hydrophilic polymer elastomer ball sudėtyje, be kita ko, yra:

- 60–80 % etandiolio, etilenglikolio;
- 1–3 % 2-propenono rūgšties, homopolimero, natrio druskos.

Pavojai



- Kenksminga prarijus.
- Gali sukelti mieguistumą arba galvos svaigimą.
- Gali pakenkti organams, jeigu medžiaga veikia ilgai arba kartotinais.

Kontrolės priemonės

- Nenuryti.
- Dirbdami naudokite nitrilo pirštines, atitinkančias standartus EN374-2, EN374-3 ir EN388.
- Venkite sąlyčio su stipriomis rūgštimis, stipriomis bazėmis, stipriais oksidatoriais ir stipriais reduktoriais.
- Patekus ant odos, nedelsdami nuplaukite.
- Dirbkite gerai vėdinamoje vietoje.
- Venkite sąlyčio neštumo ir žindymo metu.

Sandėliavimas ir šalinimas

- Laikykite sandariai uždarytame inde.
- Venkite pilti į ežerus, upelius, kanalizaciją ir pan.
- Turinį ir (arba) talpyklą šalinkite pagal vietos reglamentus.

Skubios pagalbos procedūra

PRARIJUS: Nedelsiant skambinti į APSINUODIJIMŲ KONTROLĖS IR INFORMACIJOS BIURĄ arba kreiptis į gydytoją.

Daugiau informacijos rasite www.renishaw.com/SDS

RUP1 installation and user's guide

www.renishaw.com

RUP1 įspėjimai

Saugokitės netikėtų judesių. Naudotojui nerekomenduojama atidaryti veikiančios zondo galvutės ir adatos junginio gaubto. Įrenginio tiekėjas turi užtikrinti, kad naudotojas žinotų apie didžiausią sistemos galingumą.

Atliekant visus darbus, kai naudojami įrenginio įrankiai, įrenginys valomas ir prižiūrimas, rekomenduojama užsidėti apsauginius akinius.

Įrenginio tiekėjas atsako už tai, kad naudotojas būtų įspėtas apie pavojus, susijusius su įrenginio naudojimu, taip pat apie pavojus, minimus „Renishaw“ prietaiso techninėje dokumentacijoje, ir kad būtų sumontuoti atitinkami apsauginiai įrenginiai bei blokatoriai.

Laikykites įrenginio tiekėjo naudojimo nurodymų.

Sistemos komponentuose nėra dalių, kurių priežiūrą galėtų atlikti pats naudotojas, išskyrus FCR25. Nebandykite ardyti jokios gaminio dalies. Kilus problemai, pagalbos kreipkitės į tiekėją.

Susiklosčius tam tikroms aplinkybėms, zondo signalas gali neteisingai nurodyti, kad jo reikšmės atstatytos į pradinę būseną. Nepasikliaukite zondo signalais ir iš karto nestabdykite įrenginio.

Zondo sužadinimo taško laikiną anuliavimą MCU vairasvirtėje reikia naudoti atsargiai, nes jis neleis CMM sustoti susidūrimo atveju.

Zondo jungtys sukurtos taip, kad susidūrimo atveju zondas ir (arba) adatos laikiklis nukristų.

Įrenginys netinkamas naudoti sprogiroje aplinkoje.

Tarp detalių pakliuvę daiktai gali būti suspausti. Nelaikykite už judančio zondo ir jo galvutės.

Darbo sauga bus užtikrinta, jei saugiklius keisite tinkamo tipo ir parametrų saugikliais.

REVO-2 galima vežti tik „Renishaw“ pakuotėje.

Laidai turi atitikti „Renishaw“ specifikacijas. Netinkami laidai gali sugadinti įrenginį.

RUP1 installation and user's guide

www.renishaw.com

RUP1

- Prieš naudodami nuimkite apsauginius dangtelius:



- Su RUP1 zonu reikia elgtis atsargiai.
- Nenumeskite RUP1 zondo ir venkite susidūrimo su ruošiniais arba CMM konstrukcijos dalimis.
- Ypač atsargiai elkitės su adatos antgaliu – venkite sąlyčio su elastomeriniu rutuliuku, nebent jis naudojamas matavimui.
- Apžiūrėkite, ar ant elastomerinio rutuliuko nėra nešvarumų arba dulkių.
- Prieš tikrindami RUP1 zonu, užtikrinkite, kad matavimo paviršiai būtų sausi ir ant jų nebūtų šiukšlių.

RUP1 installation and user's guide

www.renishaw.com

LV - RUP1 drošība

UZMANĪBU! Pirms REVO-2 sistēmas un tajā iekļauto zonžu uzstādīšanas lietotājam ir rūpīgi jāizlasa tālāk norādītās drošības instrukcijas, kā arī jāpārlicinās, lai visi operatori vienmēr tās ievērotu.

RUP1 drīkst izmantot tikai kopā ar Renishaw REVO-2 galviņu.

Pirms lietošanas operatoriem ir jābūt apmācītiem REVO-2 sistēmas un tās komplektācijā iekļauto produktu lietošanā ar attiecīgo iekārtu, kurai tiek uzstādīta REVO-2 sistēma.

REVO-2 sistēmā un ar to saistīto produktu sastāvdaļās tiek izmantoti pastāvīgie magnēti. Svarīgi tos turēt atstātus no tādiem priekšmetiem, kurus var ietekmēt magnētiskais lauks, piem., datu glabāšanas sistēmām, elektrokardiostimulatoriem, pulksteņiem utt.



Hydrophilic polymer elastomer ball

Hydrophilic polymer elastomer ball sastāvā ir šādas sastāvdaļas (bet ne tikai):

- 60–80% etāndiols; etilēnglikols
- 1–3% 2-propenoīnskābe, homopolimērs, nātrija sāls

Apdraudējumi



- Kaitīgs, ja norij.
- Var izraisīt miegainību vai reiboņus.
- Var izraisīt orgānu bojājumus ilgstošas vai atkārtotas iedarbības rezultātā.

Kontroles pasākumi

- Nenorīt
- Izmantošanas laikā lietojiet vienreizējās lietošanas nitrila cimdu, kas atbilst EN374-2, EN374-3, EN388 standartu prasībām.
- Izvairieties no saskares ar spēcīgām skābēm, spēcīgām bāzēm, spēcīgiem oksidējošiem līdzekļiem un spēcīgiem reducējošajiem līdzekļiem.
- Saskaņā ar ādu nekavējoties noskalot ādu ar ūdeni.
- Izmantot labi vēdināmās telpās.
- Izvairieties no saskares grūtniecības laikā un barojot bērnu ar krūti.

Uzglabāšana un atbrīvošanās

- Glabāt slēgtā tvertnē.
- Izvairīties no nokļūšanas ezeros, upēs, kanalizācijā, utt.
- Atbrīvojoties no satura/tvertnes saskaņā ar vietējiem noteikumiem.

RUP1 installation and user's guide

www.renishaw.com

Pirmās palīdzības pasākumi

NORIŠANAS GADĪJUMĀ: Sazinieties ar SAINDEŠANĀS INFORMĀCIJAS CENTRU/ārstu, ja jums ir slikta pašsajūta.

Plašāku informāciju skatiet tīmekļa vietnē www.renishaw.com/SDS

RUP1 brīdinājumi

Uzmanieties no nejaušām kustībām. Lietotājam jāpaliek ārpus zondes galviņas un adatas pilnas darbības rādiusa. Piegādātājam jāinformē lietotājs par sistēmas pilnas darbības rādīsi.

Izmantojot darba iekārtas vai koordinātu mērīšanas ierīces (CMM), ieteicams izmantot acu aizsarglīdzekļus.

Iekārtas piegādātājs atbild par to, lai lietotājs tiktu iepazīstināts ar jebkuriem apdraudējumiem, kas saistīti ar iekārtas darbību (tostarp tiem, kas minēti Renishaw izstrādājuma dokumentācijā), un lai būtu nodrošinātas atbilstošas aizsargierīces un aizsargbloķētāji.

Skatiet iekārtas piegādātāja lietošanas instrukcijas.

Sistēmas sastāvdaļas nesatur detaļas, kuru remontu vai apkopi var veikt lietotājs, izņemot FCR25. Nemēģiniet izjaukt nevienu no produkta daļām. Ja ir problēmas, sazinieties ar piegādātāju, lai saņemtu palīdzību.

Noteiktos apstākļos zondes signāls var nepareizi norādīt uz zondes stāvokli. Nepaļaujieties uz zondes signāliem, lai apturētu iekārtas kustību.

MCU kursorsvires zondes sprūda ignorēšana ir jāizmanto uzmanīgi, jo tā neļaus CMM apstāties sadursmes gadījumā.

Zondes savienojumi ir paredzēti zondes un/vai adatas turētāja atbrīvošanai avārijas gadījumā.

Šis aprīkojums nav piemērots lietošanai potenciāli sprādzienbīstamā atmosfērā.

Pastāv saspiešanas starp detaļām apdraudējums. Neturiet zondi vai zondes galviņu kustību laikā.

Pastāvīgai drošības nodrošināšanai ir svarīgi, lai drošinātāji tiktu nomainīti ar citiem atbilstoša veida un kategorijas drošinātājiem.

REVO-2 sistēma ir jātransportē Renishaw piegādātā iepakojumā.

Visiem kabeliem ir jāatbilst Renishaw specifikācijām. Lietojot nepareizus kabelus, var sabojāt aprīkojumu.

RUP1 installation and user's guide

www.renishaw.com

RUP1

- Pirms lietošanas noņemiet aizsardzības vāciņus:



- Ar RUP1 zondi jārikojas uzmanīgi.
- Izvairieties no RUP1 zondes nomešanas, kā arī no saskares ar citām CMM struktūras sagatavēm vai detaļām.
- Īpaša piesardzība jāpievērš adatas galam — izvairieties no saskares ar elastomēra lodi, ja vien tā netiek izmantota mērīšanai.
- Vizuāli pārbaudiet elastomēra lodi, vai uz tās nav netīrumu vai putekļu piesārņojuma.
- Pārliecinieties, ka mērīšanas virsmas ir sausas un tīras, pirms tās tiek pārbaudītas ar RUP1 zondi

RUP1 installation and user's guide

www.renishaw.com

MT - Sikurezza tal - RUP1

ATTENZJONI: Qabel ma joħroġ is-sistema REVO-2 u s-sondi li jiġu magħha mill-imballaġġ, l-utent għandu jaqra bir-reqqa l-istruzzjonijiet dwar is-sikurezza li ġejjin u jara li l-operaturi kollha jseguwuhom f'kull ħin.

Ir-RUP1 għandu jintuża biss mar-ras tar-Renishaw REVO-2.

L-operaturi għandhom ikunu mħarrġa fl-użu u fl-applikazzjoni tas-sistema REVO-2 u tal-prodotti li jiġu magħha, fil-kuntest tal-magna li tkun imqabnda magħha, qabel ma jithallew iħaddmu dik il-magna.

F'ċerti komponenti tas-sistema REVO-2 u prodotti assoċjati magħha jintużaw kalamiti permanenti. Hu importanti li żżommhom 'il bogħod minn oġġetti li jistgħu jiġu affettwati minn kampijiet manjetiċi, eż. sistemi ta' ħażna tad-dejta, pacemakers u arloġġi, eċċ.



Hydrophilic polymer elastomer ball

Il-hydrophilic polymer elastomer ball idrofiliku fiha fost ingredjenti oħrajn:

- 60-80% Etandiol; etilenglikol
- 1-3% 2-Aċidu propenoniku, omopolimeru, melħ tas-sodju

Perikli



- Jagħmel il-ħsara jekk jinbela'
- Jista' jikkawża ħedla jew sturdament
- Jista' jikkawża ħsara lill-organi minħabba esponiment fit-tul jew ripetut

Miżuri ta' kontroll

- Tibilgħux
- Meta timmaniġġjah, uża ingwanta tan-nitril li tintuża darba biss u li tkun konformi mal-istandards EN374-2, EN374-3, EN388
- Evita l-kuntatt ma' aċidi qawwija, bażijiet qawwija, aġenti ossidanti qawwija, u aġenti riduċenti qawwija
- F'każ ta' kuntatt mal-ġilda, aħsel minnufih
- Immaniġġja f'post ventilat sew
- Evita l-kuntatt waqt it-tqala u waqt it-treddiġħ

Ħażna u rimi

- Aħžen f'kontenitur magħluq sew
- Evita l-iskariku f'lagi, xmajjar, drenaġġi, eċċ.
- Armi l-kontenut/kontenitur skont ir-regolamenti lokali

Proċedura ta' emergenza

JEKK JINBELA': Ikkuntattja ĊENTRU TAL-AVVELENAMENT jew tabib jekk tħossok ma tiflaħx.

Għal aktar informazzjoni zur www.renishaw.com/SDS

RUP1 installation and user's guide

www.renishaw.com

Twissijiet dwar l-RUP1

Oqgħod attent għall-movimenti mhux mistennija. L-utent għandu jibqa' 'l barra miż-żona sħiħa tat-tħaddim ta' ras is-sonda u tal-istylus. Il-fornitur tal-magna għandu jiżgura li l-utent ikun jaf liema hi ż-żona sħiħa tat-tħaddim tas-sistema.

Fix-xogħol kollu li jinvolvi l-użu ta' għodda tal-magni jew CMMs, il-protezzjoni tal-għajnejn hi rakkomandata.

Hi r-responsabbiltà tal-fornitur tal-magna li jiżgura li l-utent ikun konxju ta' kwalunkwe periklu involut fit-tħaddim, inkluzi dawk imsemmija fid-dokumentazzjoni tal-prodotti Renishaw, u li jiżgura li jiġu pprovduti protezzjoni u interlocks tas-sikurezza adegwati.

Irreferi għall-istruzzjonijiet dwar it-tħaddim tal-fornitur tal-magna.

Il-komponenti tas-sistema ma fihom l-ebda parti li tista' tingħata servis mill-utent, bl-eċċezzjoni tal-FCR25. M'għandu jsir l-ebda tentattiv biex tiżżarma kwalunkwe parti tal-prodott. Fil-każ ta' xi problema, jekk jogħġbok ikkuntattja lill-fornitur tiegħek għall-għajna.

Taħt ċerti ċirkustanzi, is-sinjali tas-sonda jista' jindika b'mod falz kundizzjoni probe-seated. Tiddependix fuq is-sinjali tas-sonda biex twaqqaf il-moviment tal-magna.

Il-probe trigger override fuq il-joystick tal-MCU għandu jintuża b'attenzjoni, għaliex jipprevjeni lis-CMM milli jjeqaf f'każ ta' ħabta.

Il-ġogi tas-sonda huma ddisinjati b'tali mod li jirrilaxxaw s-sonda u/jew il-holder tal-istylus f'każ ta' ħabta.

Dan it-tagħmir mhuwiex adattat għall-użu f'atmosfera potenzjalment splussiva.

Jeżisti periklu li wieħed jinqaras bejn il-partijiet. Iżzomm is-sonda jew ras is-sonda waqt il-movimenti.

Huwa essenzjali għal sikurezza kontinwa, li l-fjusijiet kollha jiġu ssostitwiti bi fjusijiet tat-tip u tal-klassifikazzjoni korretti.

Ir-REVO-2 għandu jingarr f'imballaġġ fornut minn Renishaw.

Il-kejbils iridu jkunu konformi mal-ispeċifikazzjonijiet ta' Renishaw. Kejbils ħżiena jistgħu jikkawżaw ħsara lit-tagħmir.

RUP1 installation and user's guide

www.renishaw.com

RUP1

- Neħni l-kaġep protettivi qabel l-użu:



- Is-sonda RUP1 għandha tiġi mmaniġġjata b'attenzjoni
- Evita li twaqqa' s-sonda RUP1 jew li tħabbatha ma' biċċiet tax-xogħol jew partijiet tal-istruttura CMM
- Għandha tingħata attenzjoni partikolari lill-ponta tal-istylus – evita l-kuntatt mal-boċċa tal-elastomeru sakemm ma tkunx qed tintuża għall-kejl
- Eżamina viżwalment il-boċċa tal-elastomer biex tara fihiex ħmieġ jew trab
- Assigura ruħek li l-uċuħ tal-kejl huma niexfa u ħielsa mir-residwi qabel ma jiġu spezzjonati bis-sonda RUP1

RUP1 installation and user's guide

www.renishaw.com

NL - Veiligheid RUP1

WAARSCHUWING: Lees voor het uitpakken en installeren van het REVO-2 systeem en de bijbehorende meettasters eerst de veiligheidsinstructies hieronder en zorg ervoor dat deze te allen tijde door alle gebruikers worden opgevolgd.

Gebruik de RUP1 alleen in combinatie met de Renishaw REVO-2 meetkop.

Gebruikers moeten worden opgeleid in het hanteren en toepassen van het REVO-2 systeem en bijbehorende producten op de machine waarop het systeem is aangebracht, voordat ze die machine gaan gebruiken.

In enkele componenten van het REVO-2 systeem en de bijbehorende producten worden permanente magneten gebruikt. Het is belangrijk om deze weg te houden van voorwerpen die gevoelig zijn voor magnetische velden, zoals gegevensopslagsystemen, pacemakers, horloges enz.



Hydrophilic polymer elastomer ball

De hydrophilic polymer elastomer ball bevat onder meer de volgende bestanddelen:

- 60-80% ethaandiol; ethyleenglycol
- 1-3% 2-propeenzuur, homopolymeer, natriumzout

Gevaren



- Schadelijk bij inslikken
- Kan sufheid of duizeligheid veroorzaken
- Kan bij langdurige of herhaalde blootstelling schadelijk zijn voor organen

Maatregelen ter voorkoming

- Niet innemen
- Draag bij het hanteren nitril wegwerphandschoenen die voldoen aan de normen EN374-2, EN374-3, EN388
- Vermijd contact met sterke zuren, sterke basen, sterk oxiderende middelen en sterk reducerende middelen
- Was onmiddellijk af bij contact met de huid
- Hanteer in goed geventileerde omgeving
- Vermijd contact tijdens zwangerschap of borstvoeding geven

Opslag en weggooien

- Bewaar in een goed afgesloten houder
- Gooi niet weg in meren, waterstromen, riolering, enz.
- Gooi de inhoud/ houder weg in overeenstemming met de plaatselijke regels

RUP1 installation and user's guide

www.renishaw.com

Noodprocedure

INDIEN INGESLIKT: Bel een DOKTER of huisartsenpost als u zich niet goed voelt.

Ga voor meer informatie naar www.renishaw.com/SDS

Waarschuwingen bij RUP1

Pas op voor onverwachte bewegingen. Blijf als gebruiker buiten het werkbereik van de tasterkop en de stylus. De machineleverancier dient ervoor te zorgen dat de gebruiker weet wat het werkbereik van het systeem is.

Voor alle toepassingen waarbij bewerkingsmachines of CMM's worden gebruikt, wordt het dragen van een veiligheidsbril aanbevolen.

De leverancier van de machine dient te zorgen dat de gebruiker op de hoogte is van de risico's die zijn verbonden aan het gebruik van de machine, met inbegrip van de risico's vermeld in de productdocumentatie van Renishaw, en dat de machine is voorzien van voldoende beveiligingen en veiligheidsvergrendelingen.

Raadpleeg de bedieningshandleiding van de machineleverancier.

Met uitzondering van de FCR25 hebben de systeemcomponenten geen onderdelen die de gebruiker zelf kan repareren. Probeer niet om onderdelen van het product te demonteren. Mocht er een probleem zijn, neem dan contact op met uw leverancier.

Onder bepaalde omstandigheden kan het tastersignaal een onjuiste tastertoestand aangeven. Vertrouw niet op de tastersignalen voor het stoppen van de machinebeweging.

Wees voorzichtig bij negeren van het tastersignaal met de MCU joystick, want de CMM stopt dan niet meer als er een botsing plaatsvindt.

De tasterkoppelingen zijn zo uitgevoerd dat ze de meettaster en/of de stylushouder loslaten als zich een botsing voordoet.

Deze apparatuur is niet geschikt voor gebruik in een potentieel explosieve omgeving.

U kunt bekneld raken tussen onderdelen. Houd de taster of tasterkop niet vast tijdens bewegingen.

Voor blijvende veiligheid is het essentieel dat u zekeringen altijd vervangt door nieuwe van de juiste soort en waarde.

Vervoer de REVO-2 altijd in de verpakking van Renishaw.

De kabels moeten voldoen aan de specificaties van Renishaw. Onjuist kabelwerk kan schade aan de apparatuur toebrengen.

RUP1 installation and user's guide

www.renishaw.com

RUP1

- Verwijder vóór gebruik de beschermkapjes:



- Ga voorzichtig om met de RUP1 taster
- Laat de RUP1 taster niet vallen of in botsing komen met producten of met delen van de CMM-structuur
- Wees vooral voorzichtig met de styluspunt - vermijd contact met de elastomeren kogel, tenzij deze gebruikt wordt voor metingen
- Inspecteer de elastomeren kogel visueel op verontreiniging door vuil of stof
- Zorg ervoor dat meetvlakken droog en vrij van vuil zijn voordat ze worden geïnspecteerd met de RUP1 taster

RUP1 installation and user's guide

www.renishaw.com

PL - RUP1 - bezpieczeństwo

PRZESTROGA: przed rozpakowaniem i zainstalowaniem systemu REVO-2 oraz dostarczonych z nim sond użytkownik powinien dokładnie zapoznać się z poniższymi instrukcjami dotyczącymi bezpieczeństwa oraz zapewnić stałe przestrzeganie tych instrukcji przez wszystkich operatorów.

Sondę RUP1 można stosować tylko w systemie głowicy pomiarowej REVO-2 firmy Renishaw.



Operatorzy, przed dopuszczeniem ich do obsługi maszyny współrzędnościowej, muszą być przeszkoleni w używaniu i zastosowaniu systemu REVO-2 oraz elementów pomocniczych.

W niektórych częściach składowych systemu REVO-2 i produktów pomocniczych są stosowane magnesy trwałe. Ważne jest, aby utrzymywać je z dala od takich elementów, na które mogą niekorzystnie oddziaływać pola magnetyczne, np. systemy przechowywania danych, stymulatory serca, zegarki itp.

Hydrophilic polymer elastomer ball

Hydrophilic polymer elastomer ball zawiera m.in. następujące składniki:

- 60–80% etanodiol; glikol etylenowy
- 1–3% kwas 2-propenonowy, homopolimer, sól sodowa

Zagrożenia



- Działa szkodliwie po połknięciu
- Może wywoływać uczucie senności lub zawroty głowy
- Może powodować uszkodzenie narządów poprzez długotrwałe lub narażenie powtarzane

Środki kontroli

- Nie połykać
- Podczas obsługi należy używać rękawic nitylowych przeznaczonych do utylizacji i zgodnych z normami EN374-2, EN374-3, EN388
- Unikać kontaktu z silnymi kwasami, silnymi zasadami, silnymi utleniaczami i silnymi reduktorami
- W przypadku kontaktu ze skórą natychmiast przemyć
- Używać w dobrze wentylowanych pomieszczeniach
- Unikać kontaktu podczas ciąży i karmienia piersią

Przechowywanie i utylizacja

- Przechowywać w szczelnie zamkniętym pojemniku
- Unikać odprowadzania do jezior, strumieni, kanalizacji itp
- Zawartość/pojemnik utylizować zgodnie z miejscowymi regulacjami

RUP1 installation and user's guide

www.renishaw.com

Pierwsza pomoc

W WYPADKU POŁKNIĘCIA: W przypadku złego samopoczucia skontaktować się z OŚRODKIEM ZATRUĆ/lekarzem.

Aby uzyskać więcej informacji, odwiedź witrynę www.renishaw.com/SDS

RUP1 - ostrzeżenia

Należy uważać na niespodziewane ruchy maszyny. Użytkownik powinien pozostawać poza pełnym zasięgiem roboczym głowicy, sondy i trzpienia pomiarowego. Dostawca maszyny powinien zadbać o zaznajomienie użytkownika z pełnym zasięgiem roboczym systemu.

Podczas obsługi obrabiarek lub maszyn współrzędnościowych zaleca się używanie osłon na oczy.

Na dostawcy maszyny spoczywa odpowiedzialność za uprzedzenie użytkownika o wszelkich zagrożeniach związanych z eksploatacją łącznie z tymi, o jakich wspomina się w dokumentacji produktu Renishaw oraz za zapewnienie stosownych osłon i blokad zabezpieczających.

Zapoznać się z instrukcjami obsługi dostarczonymi przez dostawcę urządzeń.

Z wyjątkiem FCR25, składniki systemu nie zawierają części, których obsługę mógłby wykonać użytkownik. Nie należy próbować demontować żadnej części produktu. W razie problemu należy skontaktować się z dostawcą w celu uzyskania pomocy.

W pewnych okolicznościach sygnał z sondy może błędnie wskazywać stan gotowości sondy. Nie należy zatrzymywać pracy maszyny polegając wyłącznie na sygnale z sondy.

Z funkcji dezaktywacji sondy na joysticku MCU trzeba korzystać ostrożnie, ponieważ uniemożliwi to zatrzymanie maszyny współrzędnościowej w przypadku kolizji.

Złącza sondy zostały tak zaprojektowane, aby w razie kolizji następowało zwolnienie sondy i/lub obsady trzpienia pomiarowego z zamocowania.

Ten sprzęt nie jest przeznaczony do pracy w środowiskach zagrożonych wybuchem.

Występuje niebezpieczeństwo przycięcia pomiędzy częściami. Nie wolno trzymać sondy ani głowicy sondy podczas wykonywania przemieszczeń.

Aby zapewnić ciągłość zabezpieczenia, konieczne jest stosowanie wszystkich zamiennych bezpieczników topikowych właściwego typu i o prawidłowych parametrach znamionowych.

System REVO-2 należy transportować wyłącznie w oryginalnym opakowaniu Renishaw.

Przewody muszą odpowiadać wymaganiom technicznym firmy Renishaw. Nieprawidłowe okablowanie może być przyczyną uszkodzenia sprzętu.

RUP1 installation and user's guide

www.renishaw.com

RUP1

- Przed użyciem należy zdjąć nasadki ochronne:



- Z sondą RUP1 należy obchodzić się ostrożnie
- Unikać upuszczenia sondy RUP1 lub kolizji z przedmiotami obrabianymi lub elementami konstrukcyjnymi maszyny współrzędnościowej
- Szczególną uwagę należy zwrócić na końcówkę trzpienia pomiarowego. Należy unikać kontaktu z elastomerową kulką, o ile nie używa się jej do pomiaru
- Sprawdzić wzrokowo, czy kulka elastomerowa nie jest zanieczyszczona osadem ani pyłem
- Przed przeprowadzeniem kontroli przy użyciu sondy RUP1 należy upewnić się, że powierzchnie pomiarowe są suche i wolne od zanieczyszczeń

RUP1 installation and user's guide

www.renishaw.com

PT - Segurança da RUP1

ATENÇÃO: Antes de desembalar e instalar o sistema REVO-2 e os apalpadores correspondentes, o utilizador deve ler atentamente as instruções de segurança que se seguem e garantir que são sempre cumpridas por todos os operadores.

A RUP1 destina-se unicamente a ser utilizada com o cabeçote REVO-2 da Renishaw.



Os operadores devem receber formação na utilização e aplicação do sistema REVO-2 e dos produtos correspondentes, no ambiente de instalação da máquina, antes de a poderem utilizar.

São utilizados ímãs permanentes em alguns componentes do sistema REVO-2 e nos produtos associados. É importante mantê-los afastados de objetos que possam ser afetados por campos magnéticos, como, por exemplo, sistemas de armazenamento de dados, pacemakers e relógios, etc.

Hydrophilic polymer elastomer ball

Hydrophilic polymer elastomer ball contém, entre outros ingredients:

- 60-80% Etanodiol;etilenoglicol
- 1-3% 2-ácido propanoico, homopolímero, sais de sódio

Perigos



- Nocivo por ingestão
- Pode provocar sonolência ou vertigens
- Pode afetar os órgãos após exposição prolongada ou repetida

Medidas de controlo

- Não ingerir
- Durante o manuseamento, use luvas descartáveis de nitrilo que cumpram as normas EN374-2, EN374-3, EN388
- Evitar o contacto com ácidos fortes, bases fortes, agentes oxidantes fortes e agentes redutores fortes
- Em caso de contacto com a pele, lavar de imediato
- Manusear numa área bem ventilada
- Evitar o contacto durante a gravidez e a amamentação

Conservação e eliminação

- Conservar num recipiente bem fechado
- Evitar descargas em lagos, rios, esgotos, etc.
- Eliminar conteúdo/embalagem em conformidade com os regulamentos locais

RUP1 installation and user's guide

www.renishaw.com

Procedimento de emergência

EM CASO DE INGESTÃO: Caso sinta indisposição, contacte um CENTRO DE INFORMAÇÃO ANTIVENENOS/médico.

Para mais informações, visite www.renishaw.com/SDS

Advertências da RUP1

Tenha cuidado com movimentos inesperados. O utilizador deve permanecer fora da área de trabalho do cabeçote do apalpador e da ponta. O fornecedor da máquina deve garantir que o utilizador tem conhecimento da área de trabalho completa do sistema.

Em todas as aplicações que envolvam a utilização de máquinas-ferramenta e CMM, é recomendada a utilização de proteção ocular.

É da responsabilidade do fornecedor da máquina assegurar que o utilizador tem conhecimento de quaisquer perigos envolvidos no funcionamento, incluindo os mencionados na documentação do produto da Renishaw, e garantir que são fornecidas proteções e bloqueios de segurança.

Consulte as instruções de operação do fornecedor da máquina.

Os componentes do sistema não contêm peças que possam ser reparadas pelo utilizador, à exceção da FCR25. Não deve ser efetuada qualquer tentativa de desmontar qualquer peça do produto. Caso ocorra um problema, contacte o seu fornecedor para obter assistência.

Em determinadas circunstâncias, o sinal do apalpador pode incorretamente indicar uma condição de não contacto do apalpador. Não confie nos sinais do apalpador para parar o movimento da máquina.

A desativação por avanço do apalpador na alavanca de comando do MCU deve ser utilizada com cuidado, uma vez que impedirá que a CMM pare, em caso de colisão.

As juntas do apalpador foram concebidas para libertar o apalpador e/ou o suporte da ponta, em caso de queda.

Este equipamento não é adequado para ser utilizado numa atmosfera potencialmente explosiva.

Existe o perigo de esmagamento entre as peças. Não segure o apalpador ou o cabeçote do apalpador durante o movimento.

Para uma segurança contínua, é essencial que todos os fusíveis sejam substituídos pelo tipo e potência corretos.

O REVO-2 tem de ser transportado na embalagem fornecida pela Renishaw.

Os cabos têm de cumprir as especificações da Renishaw. Uma cablagem incorreta pode originar danos no equipamento.

RUP1 installation and user's guide

www.renishaw.com

RUP1

- Remova as tampas de proteção antes da utilização:



- O apalpador RUP1 deve ser manuseado com cuidado
- Evite deixar cair o apalpador RUP1 ou que colida com outros equipamentos de trabalho ou peças da estrutura CMM
- Deve dar-se especial atenção à ponta – evite o contacto com a esfera elastomérica, exceto se estiver a ser utilizada para efetuar medições
- Inspeccione visualmente a bola elastomérica quanto à contaminação por sujidade ou poeiras
- Certifique-se de que as superfícies de medição estão secas e isentas de resíduos antes de serem inspecionadas com o apalpador RUP1

RUP1 installation and user's guide

www.renishaw.com

RO - Măsurile de siguranță RUP1

ATENȚIE: Înainte de despachetarea și instalarea sistemului REVO-2 și a palpatoarelor aferente, utilizatorul trebuie să citească cu atenție instrucțiunile de siguranță de mai jos și să se asigure că toți operatorii le respectă în permanență.

Palpatorul RUP1 trebuie utilizat numai cu capul Renishaw REVO-2.



Operatorii trebuie să fie instruiți în utilizarea și aplicarea sistemului REVO-2 și a produselor aferente, în contextul echipamentului pe care este montat, înainte de a li se permite să utilizeze acel echipament.

În construcția anumitor componente ale sistemului REVO-2 și ale produselor asociate sunt utilizați magneți permanenți. Este important să le țineți departe de articolele care pot fi afectate de câmpurile magnetice, de ex. sisteme de stocare a datelor, stimulatori cardiace și ceasuri etc.

Hydrophilic polymer elastomer ball

Hydrophilic polymer elastomer ball conține, printre alte ingrediente:

- 60-80% etandiol; etilenglicol
- 1-3% acid 2-propenoic, homopolimer, sare de sodiu

Pericole



- Nociv în caz de înghițire
- Poate provoca somnolență sau amețală
- Poate provoca leziuni ale organelor în caz de expunere prelungită sau repetată

Măsurile de control

- A nu se înghiți
- În timpul manipulării, folosiți mănuși de unică folosință din nitril, care respectă standardele EN374-2, EN374-3, EN388
- Evitați contactul cu acizi puternici, baze puternice, agenți oxidanți puternici și agenți reducători puternici
- În caz de contact cu pielea, spălați imediat
- Manipulați în zone bine ventilate
- Evitați contactul cu acest produs în timpul sarcinii și al alăptării

Depozitare și eliminare

- Depozitați într-un recipient închis ermetic
- Evitați deversarea în lacuri, râuri, canalizări etc.
- Eliminați conținutul/recipientul în conformitate cu reglementările locale

RUP1 installation and user's guide

www.renishaw.com

Procedură de urgență

ÎN CAZ DE ÎNGHIȚIRE: Sunați la un CENTRU DE INFORMARE TOXICOLOGICĂ / medic, dacă vă simțiți rău.

Pentru mai multe informații, accesați www.renishaw.com/SDS

Avertismente RUP1

Atenție la mișcările neașteptate. Utilizatorul trebuie să rămână în afara zonei de acțiune a capului și acului palpator. Furnizorul echipamentului trebuie să se asigure că utilizatorul este informat cu privire la zona de acțiune a sistemului.

În toate aplicațiile care presupun utilizarea mașinilor unelte sau a MMC, se recomandă protejarea ochilor.

Furnizorul echipamentului are responsabilitatea de a se asigura că utilizatorul cunoaște pericolele pe care le presupune operarea echipamentului, inclusiv cele menționate în documentația produsului Renishaw, și că sunt implementate sisteme de protecție și interblocări de siguranță corespunzătoare.

Consultați instrucțiunile de operare livrate de furnizorul echipamentului.

Componentele sistemului nu conțin piese ce pot fi reparate de către utilizator, cu excepția FCR25. Este interzisă încercarea de a demonta orice parte a produsului. În caz de probleme, vă rugăm să contactați furnizorul dvs. pentru asistență.

În anumite circumstanțe, semnalul palpatorului poate indica eronat un contact al palpatorului. Nu vă bazați pe semnalele palpatorului pentru a opri mișcarea echipamentului.

Supracomanda declanșării palpatorului de pe joystickul MCU trebuie utilizată cu atenție, deoarece va împiedica oprirea automată a MMC în cazul unei coliziuni.

Articulațiile palpatorului sunt astfel proiectate încât să elibereze palpatorul și/sau suportului acului palpator în cazul unei coliziuni.

Acest echipament nu este adecvat pentru utilizare într-o atmosferă potențial explozivă.

Există pericol de ciupire între piese. Nu apucați palpatorul sau capul palpator în timpul executării mișcărilor.

Este esențial pentru utilizarea sigură ca toate siguranțele să fie înlocuite cu unele de tipul și capacitatea nominală corecte.

REVO-2 trebuie transportat în ambalajul furnizat de Renishaw.

Cablurile trebuie să respecte specificațiile Renishaw. Cablarea incorectă poate provoca daune echipamentului.

RUP1 installation and user's guide

www.renishaw.com

RUP1

- Îndepărtați capacele de protecție înainte de utilizare:



- Palpatorul RUP1 trebuie manevrat cu grijă
- Evitați să scăpați palpatorul RUP1 sau să-l loviți de piesele prelucrate sau elementele structurii MMC
- O atenție deosebită trebuie acordată vârfului acului palpator - evitați contactul cu bila de elastomer, exceptând cazul în care este utilizată pentru măsurare
- Examinați vizual bila de elastomer cu privire la contaminarea cu murdărie sau praf
- Asigurați-vă că suprafețele de măsurare sunt uscate și nu prezintă reziduuri, înainte de a fi inspectate cu palpatorul RUP1

RUP1 installation and user's guide

www.renishaw.com

SK - Bezpečnosť RUP1

UPOZORNENIE: Pred vybalením a inštaláciou systému REVO-2 a sprievodných sond si musí používateľ pozorne prečítať nižšie uvedené bezpečnostné pokyny a zabezpečiť, aby ich vždy dodržiavali všetci operátori.

RUP1 sa má používať iba s hlavicou Renishaw REVO-2.



Obsluha musí byť zaškolená v používaní a nastavovaní systému REVO-2 a súvisiacich produktov spolu so strojom, na ktorom je namontovaný, predtým, ako bude môcť stroj obsluhovať.

V niektorých komponentoch systému REVO-2 a súvisiacich produktoch sú použité permanentné magnety. Je dôležité udržiavať ich v dostatočnej vzdialenosti od predmetov, ktoré môžu byť ovplyvnené magnetickými poľami, ako sú napr. systémy na ukladanie údajov, kardiostimulátory a hodinky, atď.

Hydrophilic polymer elastomer ball

Hydrophilic polymer elastomer ball obsahuje okrem iných zložiek:

- 60-80 % etándiol (glykol); etylénglykol
- 1 - 3 % kyselina 2-propenónová, homopolymér, sodná soľ

Riziká



- Škodlivý po požití
- Môže spôsobiť ospalosť alebo závraty
- Môže spôsobiť poškodenie orgánov pri dlhšej, dlhotrvajúcej alebo opakovanej expozícii

Kontrolné opatrenia

- Nepožívajte
- Pri manipulácii používajte jednorazové nitrilové rukavice, ktoré spĺňajú normy EN374-2, EN374-3, EN388
- Zabráňte kontaktu so silnými kyselinami, silnými zásadami, silnými oxidačnými činidlami a silnými redukčnými činidlami
- Pri kontakte s pokožkou ihneď umyte
- Manipulujte v dobre vetranom priestore
- Vyhnite sa kontaktu počas tehotenstva a dojčenia

Skladovanie a likvidácia

- Skladujte v tesne uzavretej nádobe
- Zabráňte vypúšťaniu do jazier, potokov, kanalizácie, atď.
- Zlikvidujte alebo zneškodnite obsah/nádobu v súlade s miestnymi predpismi

RUP1 installation and user's guide

www.renishaw.com

Postup v prípade núdze a mimoriadnej udalosti

PO POŽITÍ: Ak máte zdravotné problémy, okamžite volajte NÁRODNÉ TOXIKOLOGICKÉ INFORMAČNÉ CENTRUM alebo lekára

Pre ďalšie informácie navštívte www.renishaw.com/SDS

Výstražné upozornenia ohľadom RUP1

Dávajte pozor na neočakávaný pohyb. Používateľ sa musí zdržiavať mimo celej pracovnej dráhy snímačej hlavice a snímačieho hrotu. Dodávateľ stroja musí zaručiť, aby bol používateľ oboznámený s celou pracovnou dráhou systému.

Vo všetkých aplikáciách zahŕňajúcich používanie obrábacích strojov alebo súradnicových meracích prístrojov (CMM) sa odporúča ochrana očí.

Je zodpovednosťou dodávateľa stroja zabezpečiť, aby bol používateľ informovaný o všetkých rizikách spojených s prevádzkou, vrátane tých, ktoré sú uvedené v dokumentácii k produktu Renishaw a zabezpečiť, aby boli k dispozícii primerané kryty a bezpečnostné blokovania.

Pozrite si prevádzkové pokyny dodávateľa stroja.

Komponenty systému neobsahujú žiadne časti opraviteľné používateľom, s výnimkou FCR25. Nepokúšajte sa demontovať žiadne súčasti tohto produktu. V prípade problému kontaktujte dodávateľa a požiadajte ho o pomoc.

Signál sondy môže za určitých okolností nesprávne indikovať, že sonda je zapnutá. Pri zastavovaní pohybov stroja sa nespoliehajte na signály sondy.

Anulovanie teda zrušenie spúšťania sondy na joysticku/pákového ovládača MCU by sa malo používať opatrne, pretože zabráni zastaveniu CMM v prípade kolízie.

Spoje sondy sú navrhnuté tak, aby v prípade nárazu uvoľnili sondu a / alebo držiak hrotu ihly.

Toto zariadenie nie je vhodné na používanie v potenciálne výbušnej atmosfére.

Medzi časťami existuje nebezpečenstvo zovretia resp. prištiknutia. Nedotýkajte sa sondy ani snímačej hlavice počas pohybu.

Pre trvalú bezpečnosť je nevyhnutné, aby boli všetky poistky nahradené správnym typom a výkonom.

REVO-2 sa musí prepravovať v balení dodanom spoločnosťou Renishaw.

Káble musia spĺňať špecifikácie spoločnosti Renishaw. Nesprávne káble môžu spôsobiť poškodenie zariadenia.

RUP1 installation and user's guide

www.renishaw.com

RUP1

- Pred použitím odstráňte ochranné kryty:



- So sondou RUP1 zaobchádzajte opatrne
- Zabráňte pádu sondy RUP1 alebo kolízií s obrobkami alebo časťami konštrukcie CMM
- Zvláštnu pozornosť treba venovať hrotu dotykového pera/ihly – vyhnite sa kontaktu s elastórovou guľôčkou, pokiaľ sa nepoužíva na meranie
- Vizualne skontrolujte elastórovú guľôčku, či nie je pokrytá špinou alebo prachom
- Pred kontrolou za pomoci sondy RUP1 sa uistite, že meracie povrchy sú suché a bez nečistôt

RUP1 installation and user's guide

www.renishaw.com

SL - RUP1 - varnost

POZOR: Uporabnik mora pred jemanjem sistema REVO-2 iz embalaže in montažo skrbno prebrati spodnja varnostna navodila ter poskrbeti, da jih bodo dosledno upoštevali vsi operaterji.

Glavo RUP1 uporabljajte samo v kombinaciji s sistemom Renishaw REVO-2.



Preden začnejo upravljati s strojem, morajo operaterji opraviti usposabljanje za uporabo sistema REVO-2 in spremljajočih izdelkov na stroju, na katerem je sistem nameščen.

V nekaterih komponentah sistema REVO-2 in spremljajočih izdelkih so trajni magneti. Pazite, da take komponente ne pridejo v bližino predmetov, na katere lahko vplivajo magnetna polja; to so npr. sistemi za shranjevanje podatkov, srčni spodbujevalniki, ure itd.

Hydrophilic polymer elastomer ball

Hydrophilic polymer elastomer ball med drugim vsebuje naslednje sestavine:

- 60-80 % etandiola; etilenglikol
- 1-3 % 2-propenonske kisline, homopolimer, natrijeva sol

Nevarnosti



- Škodljivo ob zaužitju
- Lahko povzroči zaspanost ali omotico
- Lahko povzroči poškodbe organov zaradi dolgotrajne ali ponavljajoče se izpostavljenosti

Nadzorni ukrepi

- Ne zaužijte
- Pri rokovanju uporabljajte nitrilne rokavice za enkratno uporabo, ki ustrezajo standardom EN374-2, EN374-3, EN388
- Izogibajte se stiku z močnimi kislinami, močnimi bazami, močnimi oksidanti in močnimi reducenti
- Če pride v stik s kožo, jo takoj umijte
- Rokovanje v dobro prezračenem prostoru
- Izogibajte se stiku med nosečnostjo in dojenjem

Skladiščenje in odstranjevanje

- Shranjujte v dobro zaprti posodi
- Ne izpuščajte v jezera, potoke, kanalizacijo itd.
- Vsebinsko/posodo odstranite v skladu z lokalnimi predpisi

RUP1 installation and user's guide

www.renishaw.com

Ukrepanje v nujnih primerih

V PRIMERU ZAUŽITJA: Če se počutite slabo, pokličite CENTER ZA ZASTRUPITVE / zdravnika.

Za več informacij obiščite www.renishaw.com/SDS

RUP1 – opozorila

Bodite pozorni na nepričakovane premike. Uporabnik se mora zadrževati zunaj delovnega območja merilne glave in tipala. Dobavitelj stroja mora uporabniku razložiti, kje je celotno delovno območje sistema.

Pri uporabi izdelka na obdelovalnih strojih ali koordinatnih merilnih strojih priporočamo uporabo zaščite za oči.

Odgovornost dobavitelja stroja je, da uporabnika opozori na vse nevarnosti pri delovanju, tudi na tiste, ki so navedene v dokumentaciji Renishaw, in da zagotovi vsa potrebna varovala in varnostne zapore.

Držite se navodil dobavitelja stroja.

Med komponentami sistema ni delov, ki bi jih uporabnik lahko popravil sam, z izjemo FCR25. Ne poskušajte razstaviti nobenega dela izdelka. V primeru težav se obrnite na svojega dobavitelja.

V določenih pogojih lahko signal glave lažno nakazuje, da je glava spravljenjena. Ne zanašajte se na signale glave za ustavitev gibanja stroja.

Bodite previdni pri uporabi premostitve proženja merilne glave na joysticku MCU, saj prepreči zaustavitev KMS v primeru trka.

Pritrditev merilne glave je zasnovana tako, da v primeru trka sprosti glavo in/ali držalo tipala.

Ta oprema ni primerna za uporabo v potencialno eksplozivnih atmosferah.

Nevarnost stiska med premikajočimi se deli. Glave oziroma merilne glave ne prijemajte medtem ko se premika.

Za zagotavljanje trajne varnosti je bistveno, da pokvarjene varovalke vedno zamenjate z nadomestnimi varovalkami ustreznega tipa in amperaže.

REVO-2 transportirajte v originalni embalaži Renishaw.

Kabli morajo ustrezati specifikacijam Renishaw. Neustrezni kabli lahko poškodujejo opremo.

RUP1 installation and user's guide

www.renishaw.com

RUP1

- Pred uporabo odstranite zaščitne pokrovčke:



- Bodite previdni pri ravnanju z glavo RUP1
- Pazite, da vam sonda RUP1 ne pade ali trči z obdelovanci oz. deli konstrukcije KMS
- Še posebej pazite na konico tipala – izogibajte se stiku z elastomerno kroglico, če je ne uporabljate za meritve
- Vizualno preglejte elastomerno kroglico glede onesnaženja z umazanijo ali prahom
- Pred kontrolo z glavo RUP1 poskrbite, da bodo merilne površine suhe in očiščene nesnage

RUP1 installation and user's guide

www.renishaw.com

SV - RUP1 säkerhet

OBSERVERA: Innan du packar upp och installerar REVO-2-systemet måste du noga läsa säkerhetsinstruktionerna nedan och se till att alla användare ständigt följer dem.

RUP1 får endast användas med Renishaw REVO-2-huvudet.

Användarna måste utbildas i hur man använder och konfigurerar REVO-2-systemet och tillhörande produkter tillsammans med den maskin som den är monterad på, innan de får använda maskinen.

Permanentmagneter används i vissa komponenter i REVO-2-systemet och tillhörande produkter. Det är viktigt att hålla avstånd mellan dessa och sådant som kan skadas av magnetfält, t.ex. datalagringsenheter, pacemakers, klockor m.m.



Hydrophilic polymer elastomer ball

Hydrophilic polymer elastomer ball innehåller bland annat följande ämnen:

- 60-80 % etandiol (etylenglykol)
- 1-3 % 2-akrylsyra, homopolymer, natriumsalt

Risker



- Farligt vid förtäring
- Kan orsaka trötthet och yrsel
- Kan orsaka skador på inre organ vid längre eller upprepad exponering

Kontrollåtgärder

- Förbjudet att förtära
- Använd nitrilhandskar för engångsbruk som uppfyller standarderna EN374-2, EN374-3, EN388 vid hanteringen
- Undvik kontakt med frätande syror, frätande alkalier, kraftigt oxiderande ämnen och kraftiga reduktionsmedel
- Skölj omgående vid hudkontakt
- Hantera endast i väl ventilerade utrymmen
- Undvik kontakt med gravida eller ammande kvinnor

Förvaring och avfallshantering

- Förvara i tätt slutna behållare
- Undvik läckage i sjöar, vattendrag, avloppssystemet osv.
- Avfallshandla innehållet/behållarna i enlighet med lokala föreskrifter

Procedurer vid nödsituationer

VID FÖRTÄRING: Kontakta en GIFTINFORMATIONSCENTRAL/läkare om du känner illamående.

För mer information besök www.renishaw.com/SDS

RUP1 installation and user's guide

www.renishaw.com

RUP1 varningar

Se upp för plötsliga rörelser. Användaren ska vistas utanför sondhuvudets och mätspetsens arbetsområde. Leverantören måste kontrollera att användaren är medveten om omfattningen av systemets arbetsområde.

Ögonskydd rekommenderas för alla tillämpningar, där verktygsmaskiner eller koordinatmätmaskiner används.

Maskinleverantören ansvarar för att användaren informeras om de risker som drift innebär, inklusive de som nämns i Renishaws produktokumentation, samt att tillräckliga skydd och säkerhetsspärrar tillhandahålls.

Se maskintillverkarens bruksanvisning.

Systemkomponenterna innehåller inga delar som användaren kan utföra underhåll på, med undantag för FCR25. Försök inte ta isär produktens delar. Kontakta leverantören vid problem.

Under vissa förhållanden kan probsignalen felaktigt indikera att en prob är monterad. Lita inte på probsignaler för att stoppa maskinens rörelse.

Åsidosätta probutlösaren på MCU-joysticken ska användas med försiktighet, eftersom den förhindrar CMM från att stanna vid en kollision.

Probanslutningarna är utformade så att de kopplar loss proben och/eller mätspetshållaren vid stötar.

Denna utrustning ska inte användas i miljöer där explosionsrisk föreligger.

Klämrisk föreligger mellan delarna. Håll inte i proben eller probhuvudet vid körning.

För bibehållen säkerhet är det viktigt att alla säkringar byts mot nya av korrekt typ och med korrekt amperetal.

REVO-2 får endast transporteras i respektive förpackningar från Renishaw.

Alla kablar måste uppfylla Renishaws specifikationer. Felaktig kabeldragning kan skada utrustningen.

RUP1 installation and user's guide

www.renishaw.com

RUP1

- Ta bort skyddslocken före användningen:



- Hantera alltid RUP1-proben med omsorg
- Undvik att tappa RUP1-proben eller låta den kollidera med arbetsstycken eller delar på CMM-maskinsstrukturen
- Var särskilt försiktig med mätspetsen - Undvik kontakt med elastomerkulan om den inte används för mätningen
- Kontrollera elastomerkulan visuellt avseende föroreningar med smuts eller dam
- Se till att mätytorna är torra och fria från lösa partiklar innan de inspekteras med RUP1-proben

RUP1 installation and user's guide

www.renishaw.com

ZH-TW - RUP1 安全手冊

小心: 在拆開包裝和安裝 REVO-2 系統及隨附測頭模組之前, 使用者應詳細閱讀下方的安全指示, 並保證所有操作者務必確實遵守這些安全指示。



本 RUP1 僅限搭配 Renishaw REVO-2 測頭座使用。

操作者在獲准操作機器之前, 必須接受應用 REVO-2 系統及其相關產品的培訓, 並具備充分的操作知識。

在 REVO-2 系統的部分零組件中使用永久磁鐵及相關產品, 重點在於要讓此系統遠離可能受磁場影響的物品, 如資料儲存系統、心律調節器及手錶等。

Hydrophilic polymer elastomer ball

Hydrophilic polymer elastomer ball 包含其他成分:

- 60-80% 乙二醇
- 1-3% 2-丙烯酸、單聚合物、鈉鹽

危險



- 吞食有害
- 可能導致嗜睡或頭暈
- 長期或反覆接觸可能對器官造成損害

控制措施

- 請勿攝入
- 搬運時, 請使用符合 EN374-2、EN374-3 及 EN388 標準的丁腈手套。
- 避免接觸強酸、強鹼、強氧化劑與強還原劑
- 若接觸到皮膚, 請立即清洗
- 在通風良好的區域中處置
- 孕婦與哺乳中的婦女請避免接觸

儲存及棄置

- 存放在密閉的容器中
- 避免排放至湖泊、溪流、下水道等。
- 請依照當地法規棄置內容物/容器

緊急處理程序

若不慎吞入: 如果感覺不適, 請致電毒物中心或就醫。

相關詳細資訊, 請造訪網站: www.renishaw.com/SDS

RUP1 installation and user's guide

www.renishaw.com

RUP1 警告

謹防意外移動。使用者應該與測頭座和測針的整個操作運動範圍保持一段安全距離，機器供應商應確實讓使用者瞭解該系統的整個操作運動範圍。

在所有涉及使用工具機或三次元量床的應用中，建議要有眼睛保護措施。

機器供應商有責任確保使用者瞭解操作機器所存在的任何危險，包括 Renishaw 產品說明書中提及之情況，並保證提供充分的安全防護罩和安全聯鎖裝置。

請參閱機器供應商的操作指南。

除 FCR25 外，本系統零組件不含任何使用者可維修的零件，不得嘗試拆解本產品的任何零件。倘若出現問題，請連絡您的機器設備供應商以尋求協助。

在某些情況下，測頭信號可能錯誤指示測頭已就位的情況。請勿依賴測頭信號停止機器運轉。

應謹慎使用 MCU 操縱桿上的測頭觸發覆蓋功能，因為此功能將防止 CMM 在碰撞時停止。

測頭接頭的設計目的是在發生碰撞時可釋放測頭及／或測針座。

本設備不適合在具有爆炸危險可能性的環境中使用。

零件之間存在擠壓危險。在移動過程中，請勿握住測針或測頭。

務必使用與原本保險絲相同類型和額定等級的保險絲進行更換，以確保安全。

REVO-2 必須以 Renishaw 提供的包裝材料進行運送。

所使用的纜線必須符合 Renishaw 規格要求。走線不正確可能導致設備損壞。

RUP1 installation and user's guide

www.renishaw.com

RUP1

- 先移除保護套再開始使用：



- 應謹慎拿取 RUP1 測頭
- 避免RUP1測頭掉落或與工件或 CMM 結構零件碰撞
- 應格外注意測針尖端 - 除非用於測量，否則應避免與彈力球接觸
- 目視檢查彈力球是否有污垢或灰塵
- 在使用 RUP1 測頭量測之前，請確保量測表面乾燥且無碎屑

RUP1 installation and user's guide

www.renishaw.com

ZH - RUP1 安全须知

小心:在拆包和安装REVO-2系统及配套测头之前,用户应仔细阅读下述安全须知,并确保所有操作人员始终遵守这些要求。RUP1仅限与雷尼绍REVO-2测座配合使用。



操作人员必须在装配REVO-2系统及配套产品的机器环境中接受REVO-2系统及配套产品的使用和应用培训,然后才能获准操作该机器。

在REVO-2系统及其相关产品的某些组件中使用了永久磁体。必须使它们远离可能受到磁场影响的物体,例如数据存储系统、心脏起搏器和手表等。

Hydrophilic polymer elastomer ball

除其他成分外,中还含有以下成分:

- 60-80%乙二醇
- 1-3%的2-丙烯酸,均聚物,钠盐

危险



- 吞咽有害
- 可能导致困倦或头晕
- 长期或反复接触可能对人体器官造成损害

控制措施

- 请勿摄入
- 在操作时,请穿戴符合EN374-2、EN374-3和EN388标准的一次性丁腈手套
- 请避免接触强酸、强碱、强氧化剂和强还原剂
- 如果接触到皮肤,请立即清洗
- 请在通风良好的区域操作
- 怀孕和哺乳期间请避免接触

存储和处置

- 存储在密封容器中
- 请勿排入湖泊、溪流、下水道等
- 请按照当地法规处置内容物和容器

急救程序

如果误吞:如有不适,请致电解毒中心或就医。

详情请访问 www.renishaw.com/SDS

RUP1 installation and user's guide

www.renishaw.com

RUP1警告

谨防意外移动。用户应始终在测座和测针的整个工作区域之外。机器供应商应确保用户了解系统的整个工作区域。

在所有涉及使用机床或坐标测量机 (CMM) 的应用中, 建议采取保护眼睛的措施。

机器制造商有责任确保用户了解操作中存在的任何危险, 包括雷尼绍产品文档中提到的危险, 并确保提供充分的防护装置和安全联锁装置。

请参阅机器供应商提供的操作说明书。

系统组件中不含可由用户自行维修更换的部件, FCR25除外。请勿尝试拆解本产品的任何零部件。如果出现任何问题, 请联系供应商获取帮助。

在某些情况下, 存在误发测头已复位状态信号的可能。切勿单凭测头信号即停止机器运动。

请谨慎使用MCU操纵杆上的测头触发倍率功能, 因为它将防止坐标测量机在发生碰撞时停止。

测头连接件的设计为, 在发生碰撞时释放测头和/或测针吸盘。

此设备不适合在潜在爆炸性环境中使用。

部件之间存在夹伤危险。在机器运动过程中切勿握住测头或测座。

按正确类型和额定功率更换所有保险丝是持续保证安全的关键。

REVO-2必须采用雷尼绍提供的包装进行运输。

电缆必须符合雷尼绍的规格要求。布线不正确将可能导致设备损坏。

RUP1 installation and user's guide

www.renishaw.com

RUP1

- 在使用前取下防护盖：



- 小心操作RUP1测头
- 请避免RUP1测头掉落, 或者与工件或坐标测量机结构部件碰撞
- 必须特别注意测尖 — 除用于测量之外, 应避免接触弹性测球
- 目视检查弹性测球上是否有污垢或灰尘污染
- 在使用RUP1测头进行检测之前, 须确保被测表面干燥且无碎屑

Renishaw plc
New Mills, Wotton-under-Edge
Gloucestershire, GL12 8JR
United Kingdom

T +44 (0)1453 524524
F +44 (0)1453 524901
www.renishaw.com/cmmsupport



**For worldwide contact details,
please visit our main website at
www.renishaw.com/contact**