

Autochange system user's guide

www.renishaw.com

Autochange system user's guide

Documentation part number H-1000-5090-07-B



Autochange system user's guide

www.renishaw.com

ACR1 general information

© 1990 - 2025 Renishaw plc. All rights reserved.

 ORIGINAL LANGUAGE VERSION

This document may not be copied or reproduced in whole or in part, or transferred to any other media or language by any means, without the prior written permission of Renishaw.

Disclaimer

WHILE CONSIDERABLE EFFORT WAS MADE TO VERIFY THE ACCURACY OF THIS DOCUMENT AT PUBLICATION, ALL WARRANTIES, CONDITIONS, REPRESENTATIONS AND LIABILITY, HOWSOEVER ARISING, ARE EXCLUDED TO THE EXTENT PERMITTED BY LAW.

RENISHAW RESERVES THE RIGHT TO MAKE CHANGES TO THIS DOCUMENT AND TO THE EQUIPMENT, AND/OR SOFTWARE AND THE SPECIFICATION DESCRIBED HEREIN WITHOUT OBLIGATION TO PROVIDE NOTICE OF SUCH CHANGES.

Trade marks

RENISHAW®, the probe symbol and REVO® are registered trade marks of Renishaw plc.

Renishaw product names, designations and the mark 'apply innovation' are trade marks of Renishaw plc or its subsidiaries.

Other brand, product or company names are trade marks of their respective owners.

WEEE



The use of this symbol on Renishaw products and / or accompanying documentation indicates that the product should not be mixed with general household waste upon disposal. It is the responsibility of the end user to dispose of this product at a designated collection point for waste electrical and electronic equipment (WEEE) to enable reuse or recycling. Correct disposal of this product will help to save valuable resources and prevent potential negative effects on the environment. For more information, please contact your local waste disposal service or Renishaw distributor.

Warranty

Unless you and Renishaw have agreed and signed a separate written agreement, the equipment and/or software are sold subject to the Renishaw Standard Terms and Conditions supplied with such equipment and/or software, or available on request from your local Renishaw office.

Renishaw warrants its equipment and software for a limited period (as set out in the Standard Terms and Conditions), provided that they are installed and used exactly as defined in associated Renishaw documentation. You should consult these Standard Terms and Conditions to find out the full details of your warranty.

Equipment and/or software purchased by you from a third-party supplier is subject to separate terms and conditions supplied with such equipment and/or software. You should contact your third-party supplier for details.

Autochange system user's guide

www.renishaw.com

Care of equipment

Renishaw probes and associated systems are precision tools used for obtaining precise measurements and must therefore be treated with care.

Changes to Renishaw products

Renishaw reserves the right to improve, change or modify its hardware or software without incurring any obligations to make changes to Renishaw equipment previously sold.

Company registration details

Renishaw plc. Registered in England and Wales. Company no: 1106260. Registered office: New Mills, Wotton-under-Edge, Gloucestershire, GL12 8JR, UK.

Packaging

To aid end user recycling and disposal the materials used in the different components of the packaging are stated here:

Packaging component	Material	94/62/EC code	94/62/EC number
Outer box	Corrugated fibreboard	PAP	20
Packaging insert	Corrugated fibreboard	PAP	20
Bag	Low density polyethylene	LDPE	4

Autochange system user's guide

www.renishaw.com

ACR1 product compliance

EU declaration of conformity

Contact Renishaw plc or visit www.renishaw.com/EUCMM for the full EU declaration.

UK declaration of conformity

Contact Renishaw plc or visit www.renishaw.com/UKCMM for the full UK declaration.

EMC conformity

This equipment must be installed and used in accordance with this installation guide. This product is intended for industrial use only and should not be used in a residential area or connected to a low voltage power supply network which supplies buildings used for residential purposes.

FCC (USA only)

Information to user (47 CFR 15.105)

This equipment has been tested and found to comply with the limits for a Class A digital device, pursuant to Part 15 of the FCC rules. These limits are designed to provide reasonable protection against harmful interference when the equipment is operated in a commercial environment. This equipment generates, uses, and can radiate radio frequency energy and, if not installed and used in accordance with the instruction manual, may cause harmful interference to radio communications. Operation of this equipment in a residential area is likely to cause harmful interference, in which case you will be required to correct the interference at your own expense.

Information to user (47 CFR 15.21)

The user is cautioned that any changes or modifications not expressly approved by Renishaw plc or authorised representative could void the user's authority to operate the equipment.

Equipment label (47 CFR 15.19)

This device complies with part 15 of the FCC Rules. Operation is subject to the following two conditions:

1. This device may not cause harmful interference.
 2. This device must accept any interference received, including interference that may cause undesired operation.
-

ICES-001 (Canada only)

This ISM device complies with Canadian ICES-001(A) / NMB-001(A).

Autochange system user's guide

www.renishaw.com

Cet appareil ISM est conforme à la norme ICES-001(A) / NMB-001(A) du Canada.

Autochange system user's guide

www.renishaw.com

REACH regulation

Information required by Article 33(1) of Regulation (EC) No. 1907/2006 ("REACH") relating to products containing substances of very high concern (SVHCs) is available at:

www.renishaw.com/REACH

China RoHS

Contact Renishaw plc or visit www.renishaw.com/ChinaRoHSCMM for the full China RoHS tabulation.



Autochange system user's guide

www.renishaw.com

ACR1 safety

If the equipment is used in a manner not specified by the manufacturer, the protection provided by the equipment may be impaired. There are no user serviceable parts inside the equipment.

The ACC2-3 head controller is to be used with the provided PSU - XP POWER VEC40US24. See manufacturer's datasheet at www.xppower.com.

PSU electrical ratings	
Supply voltage	90 V - 246 Vac
Frequency range	47 Hz to 63 Hz
Power consumption	45 W max
Transient voltages	Class II

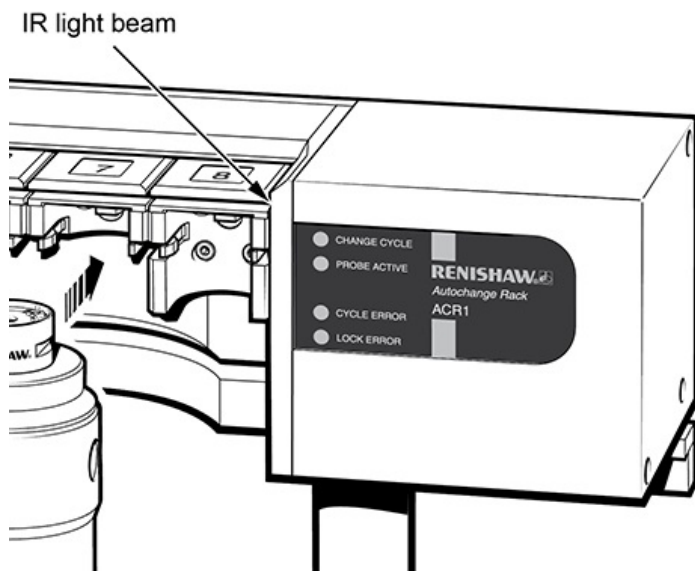
ACC2-3 is isolated from ac power by disconnection of the IEC mains connector from the supplied PSU. If any additional means of isolation is required, it must be specified and fitted by the machine manufacturer or installer of the product. The isolator / disconnection device must be sited within easy reach of the operator and comply with any applicable national wiring regulations for the country of installation.

Infra red light emission

CLASS 1 LED PRODUCT



CAUTION: This product uses infra red sensing beams. The axis in the front of IR light beam is located in line with the slots in the fronts of the port lids. Although direct viewing of the beam is safe, the user is advised to avoid placing an eye in line with the beam axis or close to the LED source located at the right hand side of the port 8 lid.



Autochange system user's guide

www.renishaw.com

ACR1 warnings

Pinch hazards exist between moving parts and between moving and static parts. Do not hold the probe head during movements, or during manual probe changes.

Beware of unexpected movement. The user should remain outside of the full working envelope of probe head/extension/probe combinations.

Handle and dispose of batteries according to the manufacturer's recommendations. Use only the recommended batteries. Do not allow the battery terminals to contact other metallic objects.

In all applications involving the use of machine tools or CMMs, eye protection is recommended.

There are no user serviceable parts inside Renishaw mains powered units. Return defective units to an authorised Renishaw Customer Service Centre.

Replace blown fuses with new components of the same type. Refer to the SAFETY section of the relevant product documentation.

For instructions regarding the safe cleaning of Renishaw products, refer to the Maintenance section of the relevant product documentation.

Remove power before performing any maintenance operations.

Refer to the machine supplier's operating instructions.

It is the machine supplier's responsibility to ensure that the user is made aware of any hazards involved in operation, including those mentioned in Renishaw product documentation, and to ensure that adequate guards and safety interlocks are provided.

Under certain circumstances the probe signal may falsely indicate a probe seated condition. Do not rely on probe signals to stop machine movement.

ACC2-3 is isolated from ac power by means of the mains switch on the rear panel. If any additional means of isolation is required, it must be specified and fitted by the machine manufacturer or the installer of the product. The isolator must be sited within easy reach of the CMM operator and comply with IEC61010 and any applicable national wiring regulations for the country of installation.

Autochange system user's guide

www.renishaw.com

ACR1 international safety instructions

BG - ПРЕДУПРЕЖДЕНИЕ

Моля, обърнете на приложение 1 и прочетете инструкциите за безопасност на вашия собствен език, преди за разопаковате и монтирате този продукт.

CS - VÝSTRAHA

Před rozbalením a instalací tohoto výrobku si přečtěte bezpečnostní pokyny ve vlastním jazyce uvedené v příloze 1.

DA - ADVARSEL

Læs sikkerhedsinstrukserne i Appendix 1 FØR udpakning og installation af dette produkt.

DE - WARNHINWEIS

Bevor Sie dieses Produkt auspacken und installieren, konsultieren Sie bitte Anhang 1 und lesen Sie die Sicherheitshinweise in Ihrer Sprache.

EL - ΠΡΟΕΙΔΟΠΟΙΗΣΗ

Γυρίστε στο Κεφάλαιο 1 και διαβάστε τις οδηγίες ασφαλείας στη δική σας γλώσσα προτού ανοίξετε αυτό το προϊόν για να το εγκαταστήσετε.

EN - WARNING

Before unpacking and installing this product, please consult Appendix 1 and read the safety instructions in your language.

ES - ADVERTENCIA

Consulte el apéndice 1 y lea las instrucciones de seguridad en su idioma antes de desempaquetar e instalar este producto.

ET - HOIATUS

Palun vaadake 1. lisa ning lugege enne selle toote lahtipakkimist ja paigaldamist ohutusjuhend läbi.

FI - VAROITUKSIA

Lue liitteessä 1 olevat omalla kielelläsi kirjoitetut turvaohjeet ennen tämän tuotteen pakkauksen avaamista ja asentamista.

FR - AVERTISSEMENT

Consulter l'annexe 1 et les instructions de sécurité dans votre propre langue avant de débiller et d'installer ce produit.

Autochange system user's guide

www.renishaw.com

GA - RABHADH

Téigh chuig aguisín 1 agus déan na treoracha sábháilteachta a léamh i do theanga féin le do thoil sula ndéantar an táirge seo a dhíphacáil agus a shuiteáil.

HR - NAPOMENA

Prije nego što proizvod izvadite iz ambalaže i ugradite ga, otvorite Prilog 1 i pročitajte sigurnosne upute na svom jeziku.

HU – FIGYELMEZTETÉS

A termék kicsomagolása és telepítése előtt olvassa el az 1. számú függelékben található, az Ön anyanyelvén hozzáférhető biztonsági utasításokat.

IT - AVVISO

Prima di aprire ed installare questo prodotto, leggere le istruzioni di sicurezza nella vostra lingua riportate nell'Appendice 1.

JA - 警告

この製品を箱から取り出し設置する前に、付録 1 に記載された安全性に関する注意書きをお読みください。

LT – ĮSPĖJIMAS

Prieš išpakuodami ir įdiegdami produktą, turite grįžti prie 1 priedo ir perskaityti nurodymus dėl saugos savo kalba.

LV – BRĪDINĀJUMS

Pirms šī izstrādājuma izsaiņošanas un uzstādīšanas izskatiet 1. pielikumā sniegtās drošības instrukcijas savā valodā.

MT - TWISSIJA

Jekk jogħġbok mur f'appendiċi 1 u aqra l-istruzzjonijiet tas-sigurtà fil-lingwa tiegħek qabel ma toħroġ dan il-prodott mill-ippakkjar u tinstallah.

NL - WAARSCHUWING

Ga naar appendix 1 en lees de veiligheidsinstructies in uw eigen taal, voordat u dit product uitpakt en installeert.

PL - OSTRZEŻENIE

Przed rozpakowaniem i zainstalowaniem tego produktu prosimy o zapoznanie się z Dodatkiem 1 i przeczytanie zaleceń dotyczących bezpieczeństwa w danym języku.

PT - ADVERTÊNCIA

Você deve retornar ao Anexo 1 e ler as instruções de segurança em seu idioma antes de desembalar e instalar este produto.

Autochange system user's guide

www.renishaw.com

RO - AVERTISMENT

Înainte de a desface ambalajul și a instala acest produs, vă rugăm să căutați Anexa 1 și să citiți cu atenție instrucțiunile de siguranță, în limba română.

SK - VÝSTRAHA

Pred rozbalením a inštaláciou tohto produktu si pozrite prílohu 1 a prečítajte si bezpečnostné pokyny vo vašom jazyku.

SL - OPOZORILO

Preden izdelek vzamete iz embalaže in ga vgradite, odprite Prilogo 1 in preberite varnostna navodila v svojem jeziku.

SV - VARNING

Gå till bilaga 1 och läs säkerhetsinstruktionerna på ditt eget språk innan du packar upp och installerar denna produkt.

ZH-TW - 警告

在拆開和安裝本產品之前，請翻頁至附錄 1 閱讀母語的安全指示。

ZH - 警告

在拆包和安裝本產品之前，請翻到附录1，阅读中文版安全说明。

Autochange system user's guide

www.renishaw.com

ACR1 environmental conditions

The following environmental conditions comply with (or exceed) BS EN 61010-1:1993.

Indoor use	IP30 (no protection against water)
Altitude	Up to 2000 m
Operating temperature - ACR1	+10 °C to +40 °C
Operating temperature - ACC2-3	0 °C to +50 °C
Storage temperature	-10 °C to +70 °C
Relative humidity - ACR1	80% maximum for temperatures up to +31 °C Linear decrease to 50% at +40 °C
Relative humidity - ACC2-3	80% maximum for temperatures up to +31 °C Linear decrease to 50% at +40 °C
Transient voltages	Installation category 2
Pollution degrees	2

Autochange system user's guide

www.renishaw.com

ACR1 introduction

The autochange system documentation is covered by two guides:

- This user's guide which gives a simple explanation of the equipment, details of alignment procedures and fault-finding information
- An installation and programmer's guide (Renishaw part number H-1000-6012) which describes system functions, installation and datuming together with software and programming information

It is intended that the user's guide is the reference document for the working CMM installation, and that the installation and programmer's guide is the reference document for the CMM manufacturer.

Autochange system user's guide

www.renishaw.com

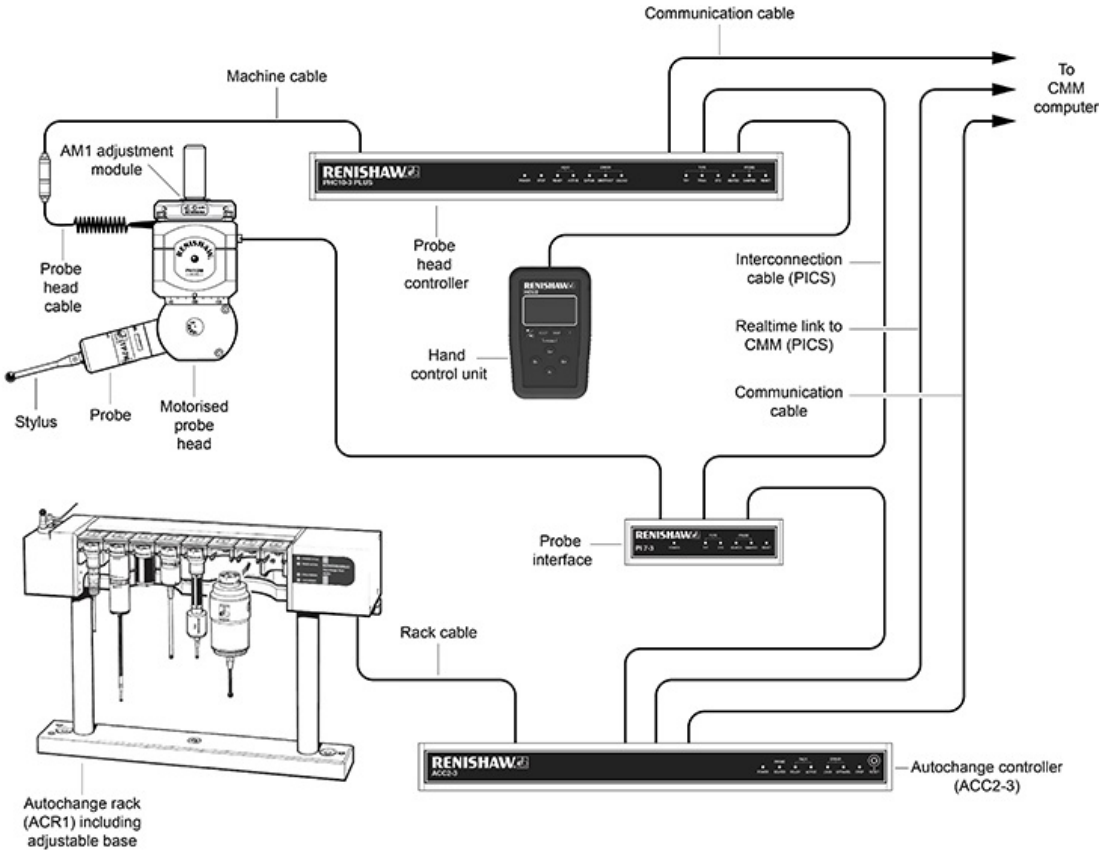
The autochange system

General description

Renishaw's ACR1 is a fully integrated 8 port probe exchange system. Mounted within the CMM's working envelope, the autochange system facilitates fast, automatic probe exchange without the need for re-qualification of the probe assembly.

Fast probe exchange cycles are achieved by the probe head docking the original probe and selecting a new one. The high repeatability of the autojoint removes the need to re-qualify between moves.

The autochange system consists of an autochange rack, an autochange controller and an autochange head which, together with a mounting kit and cables, form a complete kit.



Autochange system user's guide

www.renishaw.com

ACR1 autochange rack

The ACR1 autochange rack is the functional part of the system which is located within the CMM working volume. It is powered and controlled by the ACC2-3 controller via a rack cable which can be up to 30 metres (98 feet) long.

The ACR1 stores up to eight 25 mm diameter autojointed probe and extension bar combinations which can be exchanged automatically by the CMM. The ACR1 can be mounted in either the horizontal or vertical orientation depending on the application.

The two cut-aways on the ACR1 are to allow larger diameter probes to be used, such as SP600M. In this case special short ports are required making the ports either side of the probe redundant (or with limited use).

A full set of short ports (i.e. eight) are supplied with the ACR1 allowing the rack to be fully customised.

Datum probe

The rack includes a fixed touch-trigger datum probe at its left end which incorporates a datum stylus and an alignment stylus. This datum probe is used to align the probe head to the ACR1.

Datuming the probe head autojoint on the datum stylus relates the position of the head to the rack, and the location of the probe configurations held within the rack. The alignment stylus is included to assist with the head alignment.

Sensing system

The rack performs probe change routines using light beams to detect the probe head and includes motor-driven screwdriver blades to lock and unlock the probes. The light beams are located in front of and behind the probe docking port lids, and a light beam sensing system determines which function to perform by monitoring which light beam is broken first.

If the front beam is broken first, this indicates to the system that the head is entering the port with either a probe or extension bar attached - the screwdriver blades will be set to the locked position to enable the head to dock correctly.

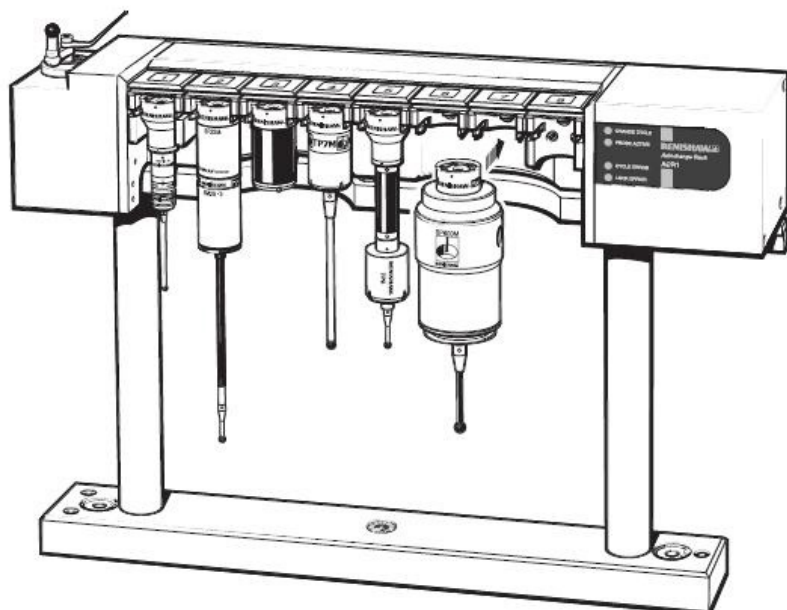
If the rear beam (within the main unit) is broken first, this indicates that an empty probe head or extension bar is entering the rack - the screwdriver blades will be set to the unlocked position. After both beams have been broken, the system waits for the appropriate command or time to lock or unlock the probe.

Autochange system user's guide

www.renishaw.com

Accessories

The accessories supplied with an ACR1 are a datum stylus, an alignment stylus, mounting screws, a stylus tool, eight short replacement ports, a S10 autojoint key and the necessary hexagonal wrenches.



Autochange system user's guide

www.renishaw.com

Rack LED sequences

There are four LEDs on the rack which indicate the status of the probe change cycle (see table below):

Probe active	Change cycle	Cycle error	Lock error	Modes
○	○	○	○	Normal mode - touch probe disabled
●	○	○	○	Normal mode - touch probe enabled
○	●	○	○	Change cycle in progress
○	○	●	○	Error in change cycle *
○	○	○	●	Error in lock / unlock operation*
●	●	○	○	Datum mode 1 - touch probe enabled
○	○	●	●	Datum mode 2 - rack probe enabled

There is a limited overtravel and crash protection facility built into the rack. If it is deflected by more than 1 mm (0.039 in) it sends a STOP signal to the CMM control to stop the machine.

* See 'Fault finding' section for error mode analysis.

ACC2-3 controller

General description

The ACC2-3 autochange controller is the intelligent part of the system. It handles the communications to and from the CMM controller, controls the ACR1 autochange rack, and multiplexes and interfaces the head and rack probe signals.

Autochange system user's guide

www.renishaw.com

Front panel

The following figure shows the arrangement of the ACC2-3 front panel. Descriptions of the functions of the switch and LEDs follow.



1 POWER ON LED (green)

Powered from an internal power rail, this LED indicates that the unit is switched on.

2 PROBE SEATED LED (yellow)

Indicates the status of the selected probe. When the probe interface circuit is active, this LED will be ON. In this condition the LED will be OFF when the stylus is deflected.



NOTE: This LED is only operational when the internal probe interface is selected.

3 RACK READY LED (yellow)

Indicates the status of the rack. The LED is OFF when the rack is active. A flashing LED indicates that the system is in datum mode 1 (see 'Operating modes' section, mode 6).

4 RACK ACTIVE LED (yellow) *

Indicates that the rack is performing a lock or unlock procedure. A flashing LED indicates that the system is in datum mode 2 (see 'Operating modes' section).

5 LOCK ERROR LED (red) *

Indicates that a fault has occurred during a lock or unlock procedure.

6 OVERTRAVEL ERROR LED (red) *

Indicates that the rack has been overtravelled or an excessive entry speed condition has been detected.

7 STOP LED (red)

Indicates that the ACC2-3 has asserted the PICS STOP signal following a critical failure.

* Various combinations of these LEDs are used to indicate other fault conditions (see 'Operating modes' section, 'Mode 4 - Error mode').

8 RESET

The RESET switch initiates a complete software restart. It is used for resetting the system after a collision, or for putting the system into or out of datum mode 1 (mode 6). To take effect, the button must be pressed for at least 100 ms.

Autochange system user's guide

www.renishaw.com

Autojoint system

The Renishaw autojoint is a highly repeatable joint which is fitted to certain probe heads, eliminating the need to re-qualify the probe after a probe change.

The autochange system requires a probe head fitted with an autojoint. Renishaw have a number of probe heads and probes that have either the male or female part of the autojoint fitted to them. Listed below is a brief description of each. For additional information, please refer to the relevant product documentation.

Heads

PH10M PLUS - A motorised indexing probe head with 720 repeatable positions suitable for all two wire and multiwired probes.

PH10MQ PLUS - This is an in-quill mounted version of the PH10M PLUS head.

PH6M - A fixed autojointed probe head suitable for all two wire and multiwired probes.

Probes

SP25M - High accuracy scanning probe enabling the user to scan for form measurement and reverse engineering, rapid TTP for geometric measurements is also possible.

SP600M - Analogue contact scanning probe which is ideal for profile scanning and it features 300 mm stylus capability. Enables the CMM to gather large amounts of data very rapidly.

TP7M - High accuracy strain gauge based touch-trigger probe.

TP6A - This is a probe suited to general purpose probing applications offering longer and heavier styli carrying capability.

OTP6M - An optical trigger probe that uses a visible laser spot to provide a non-contact inspection solution for CMMs.

Using the Renishaw range of probe adaptor bars (PAA), the complete range of Renishaw M8 probes can be used in conjunction with the autochange system; a brief description of some of these probes is given below:

TP20 - A 13 mm diameter kinematic touch-trigger probe consisting of a two piece design that provides the facility to repeatedly change probe modules without the need for re-qualification.

TP200 - A 13 mm diameter strain gauge based touch-trigger probe consisting of a two piece design that provides the facility to repeatedly change stylus modules without the need for re-qualification.

TP2 - A 13 mm diameter kinematic touch-trigger probe with adjustable stylus force.

TP6 - A 25 mm diameter kinematic touch-trigger probe of a robust design.



NOTE: If a probe extension bar is manually locked (using an S10 autojoint key), it is advisable to lock it fully to the cam end stop then back the screwdriver slot off by approximately 5. If this is not done, it is unlikely that the probe will dock into the autochange rack.

Autochange system user's guide

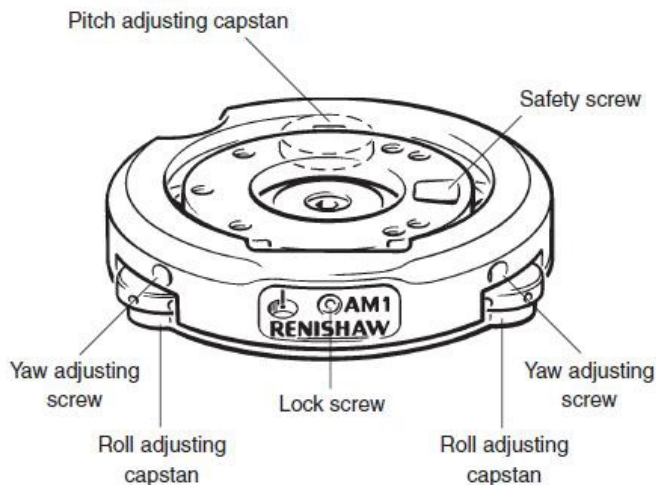
www.renishaw.com

Aligning the head

AM1 adjustment module

The AM1 adjustment module is designed to provide quick and accurate angular alignment of the PH6M or PH10M PLUS motorised probe heads with the axes of the CMM and the Renishaw autochange rack.

In addition, the quick release mechanism allows the probe heads to be removed for storage and replaced without further alignment. In-built overtravel protection minimises the risk of probe head damage.



Adjust the AM1 in the order given:

1 Roll adjustment

Rotate the roll adjusting capstans equally and in opposite directions (i.e. rotate one capstan clockwise and the other anti-clockwise).

2 Pitch adjustment

Rotate the pitch adjusting capstan to increase or decrease the pitch.

3 Yaw adjustment

Release the lock screw. Rotate the yaw adjusting screws equally in opposite directions to provide the required yaw. Tighten the screws against each other without applying excessive torque. Tighten the lock screw.

Autochange system user's guide

www.renishaw.com

4 Quick release of AM1 from shank



CAUTION: Quick release is only possible if the lock screw is omitted.

Release the lock screw.

Retract ONE yaw adjusting screw.

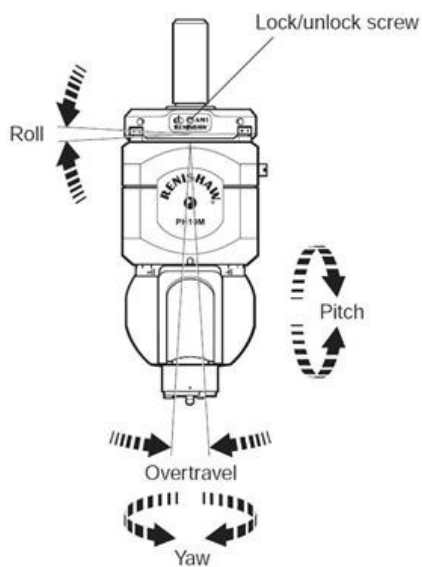


NOTE: If repeatability of position is required on re-attachment, DO NOT alter the other screw. This repeatability of position is normally sufficient for alignment with the autochange rack, but probes must be re-qualified for measurement.

Rotate the AM1 until free and remove.

5 Re-attachment of AM1 to shank

Locate the AM1 against the shank and rotate until engaged. Tighten the yaw adjustment screw.



Autochange system user's guide

www.renishaw.com

AM2 adjustment module

The AM2 adjustment module provides quick and accurate angular alignment of the PH10MQ PLUS motorised probe head with the axes of the CMM and/or the autochange rack.

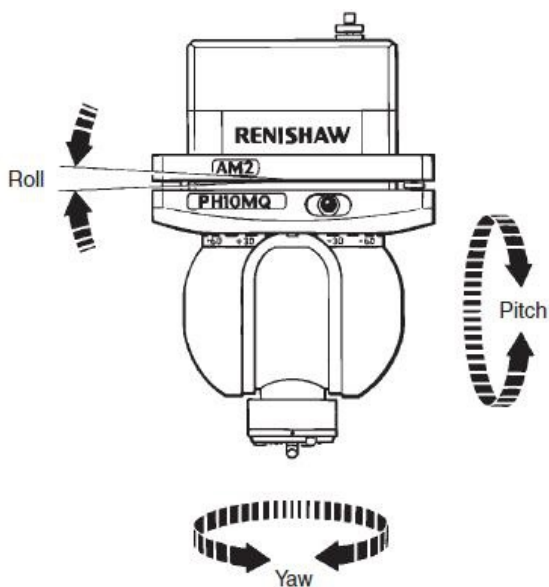
The AM2 consists of an adjuster plate, which is attached to the quill of the CMM, and a set of adjusters, fitted to the flange of the head.

The head is fixed to the adjuster plate by a pair of captive screws.

The AM2 provides a highly repeatable mounting, allowing a head to be removed and replaced without the need for further adjustment.

Because all adjustable parts remain with the head on removal, more than one head can be set up for use on the same machine, the time taken to exchange heads being minimal.

i **NOTE:** The AM2 does not provide overtravel protection.

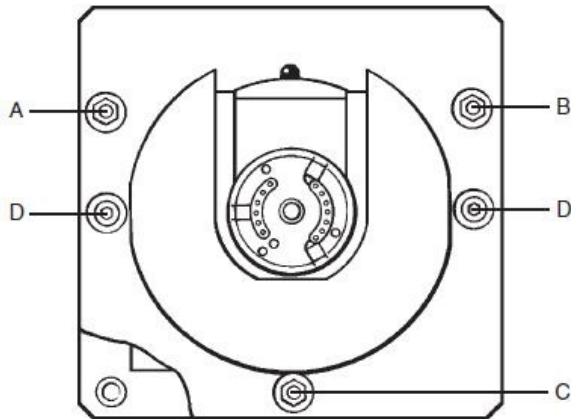


A special tool is supplied (A-1036-0010), consisting of a concentric hexagon key and socket spanner. This should be located on the adjusters and locknuts recessed into the face of the head mounting flange.

i **NOTE:** Springs are fitted under the adjuster locknuts to provide some pre-load during set up.

Autochange system user's guide

www.renishaw.com



The adjustment procedure is as follows:

- 1 Slacken the locknut slightly using the outer part of the tool.
- 2 Set the adjuster using the inner part of the tool.
- 3 While holding the adjuster stationary, tighten the locknut.

Roll adjustment

Alterations of up to $\pm 1^\circ$ are possible using the right hand adjuster B (this will introduce a small pitch error).

Pitch adjustment

Alterations of up to $\pm 1^\circ$ are possible using the rear adjuster C.

Yaw adjustment

Alterations of up to $\pm 1^\circ$ are possible using the left hand adjuster A.



NOTES: As settings are changed, the tension on the two securing screws (D) may have to be altered. Always check that all three adjuster balls are in firm contact with their seatings. Fully tighten the securing screws when adjustments are complete.

Head adjustment limits

See 'Autojoint section' for PH6M, PH10M PLUS and PH10MQ PLUS adjustment.

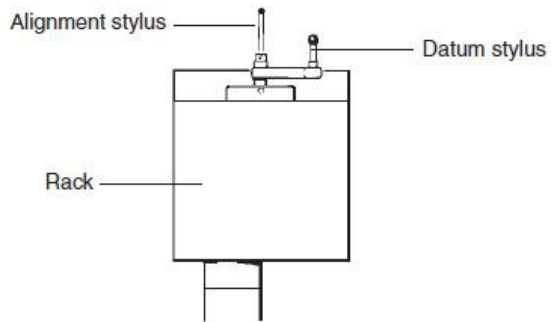
- 1 Set the head to the correct angle for docking into the ACR1.
- 2 Enable the rack probe for the alignment process by setting the system into datum mode 2 using the following procedure:
 - i) Manually hold the port lid open, and press the reset switch on the ACC2-3 front panel. The system is now in datum mode 1.
 - ii) Allow the lid to close. The system is now in datum mode 2.

Autochange system user's guide

www.renishaw.com

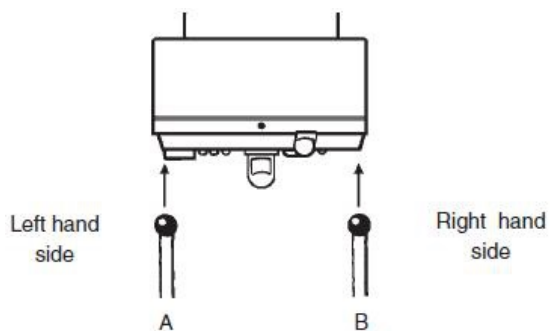
3 Using either the alignment stylus or the datum stylus, probe the flat face of the autojoint, not the rollers or contacts.

Alignment stylus and datum stylus:



The run-out over the autojoint between points A and B should be less than 20 μm (0.0008 in), otherwise adjust the roll using the AM1 or AM2.

Testing for roll adjustment:

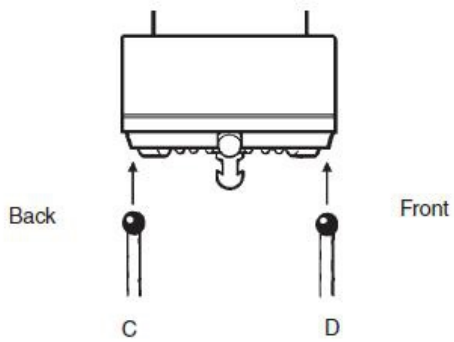


4 Using either the alignment stylus or the datum stylus, probe the flat face of the autojoint. Check that the run-out across the autojoint between points C and D is less than 20 μm (0.0008 in), otherwise adjust the pitch using the AM1 or AM2.

Autochange system user's guide

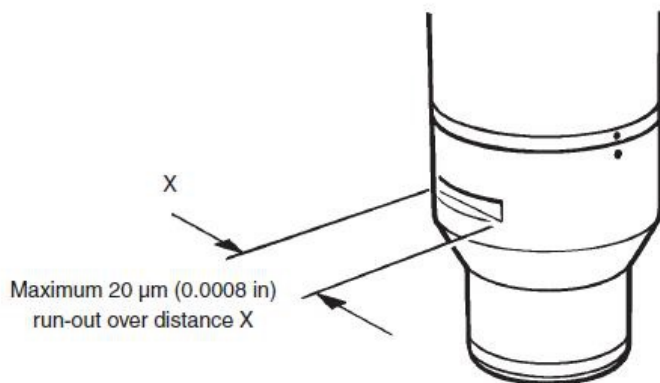
www.renishaw.com

Testing for pitch adjustment:



5 Fit an adaptor or probe with integral autojoint to the head autojoint. Using the alignment stylus, check that the run-out along the slot (X) is less than 20 μm (0.0008 in), otherwise adjust the yaw using the AM1 or AM2.

Testing for yaw adjustment:



Autochange system user's guide

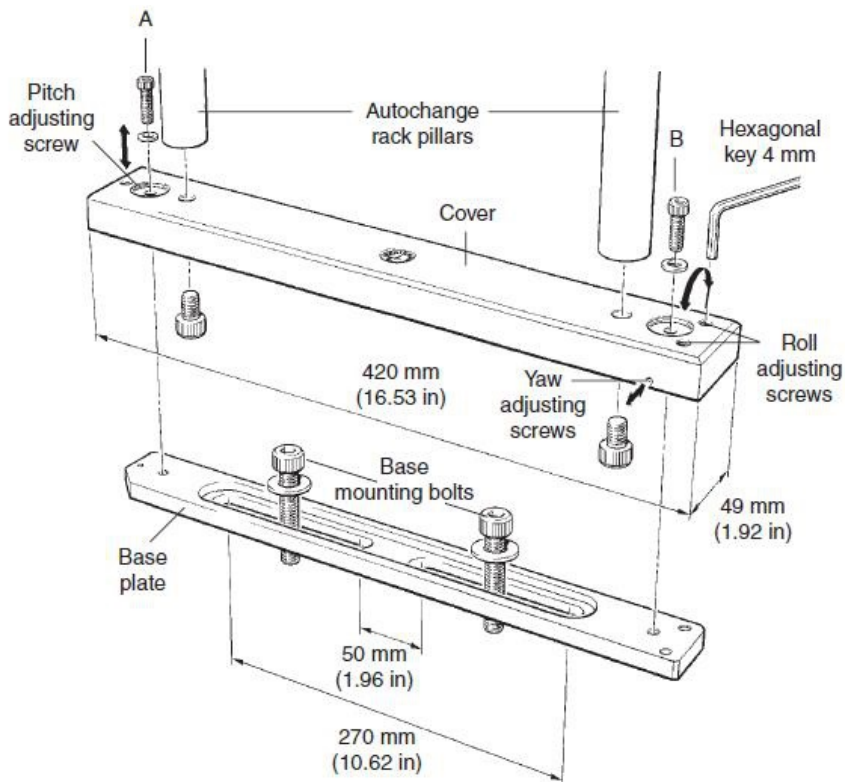
www.renishaw.com

Aligning the rack

Rack base

For smooth wear-free running of the autochange system, correct alignment of the ACR1 to the CMM axes is essential.

The adjustable rack base enables the rack to be aligned quickly and precisely with the axes of the CMM.



Three independent adjusters are used to align the rack in roll, pitch and yaw.

The rack base is designed not to cause damage to the CMM table.

For full rack base assembly and mounting instructions, see the autochange system installation and programmer's guide (Renishaw part number H-1000-6012).

If it is necessary to remove the rack from the CMM table, loosen one yaw adjusting screw and remove screws A and B. The rack may now be lifted off its mounting.

Replacement is the reverse of removal, with very little, if any, re-aligning required, due to the 'repeatability' of the rack base structure.

Autochange system user's guide

www.renishaw.com

Refitting and adjusting the rack base

- 1 Unscrew the roll and pitch adjusting screws so that they are near the end of their travel.
- 2 Mount the cover on to the rack base. It is recommended that the ACR1 is supported before screws A and B are fitted.
- 3 Hand tighten screws A and B until resistance is felt.
- 4 Use the hexagonal key to tighten down the roll and pitch adjusting screws until resistance is felt. Tighten the screws another 3/4 of a turn. The rack base is now set at the mid position of the adjusting range. Fine adjustment can now be carried out as required.
- 5 When adjustment is complete, tighten down screws A and B firmly. Maximum torque is 8 N/m (5.9 lbf/ft).

Rack base specification

Yaw adjustment range about the nominal centre position	1 mm (0.04 in)
Pitch adjustment range nominal limit	1 mm (0.04 in)
Roll adjustment range nominal limit	1 mm (0.04 in)
Overall base height when assembled	26 mm (1.02 in)

Base mounting bolts up to 10 mm (0.39 in) can be used.

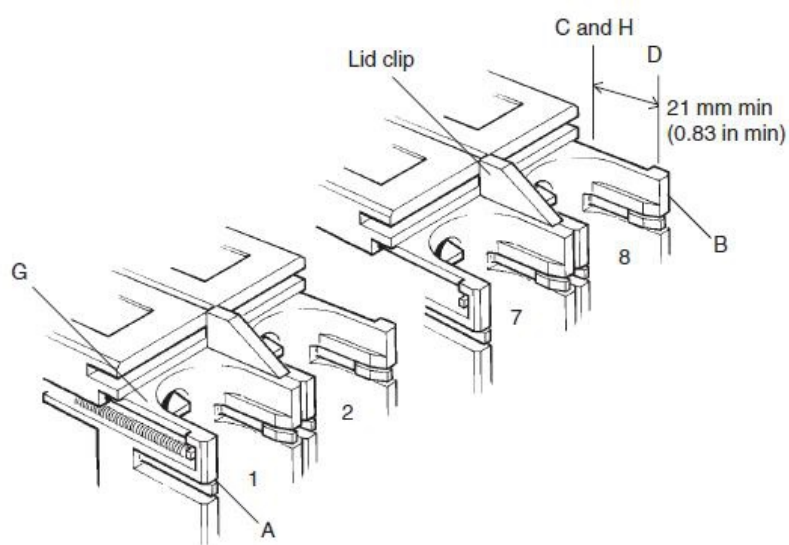
Autochange system user's guide

www.renishaw.com

Rack adjustment limits

When the rack has been mounted onto the rack base (see the autochange system installation and programmer's guide, Renishaw part number H-1000-6012), the following checks should be made - adjusting the base pitch, roll and yaw as and when necessary.

Docking station run-out:



1 Ensure the run-out along the top of one of the docking ports (between C and D) is less than 50 μm (0.002 in).

2 Ensure the run-out along the front face, (between points A and B) is less than 100 μm (0.004 in).

3 Ensure the run-out across the eight docking ports between points G and H is within 100 μm (0.004 in).

The adjustment limits given are maximum values - the better the alignment, the longer the life and trouble-free operation of the system.



NOTE: These instructions apply to both horizontal and vertical rack mounting.

Autochange system user's guide

www.renishaw.com

ACR1 fault finding

Errors

Error mode

The system enters error mode if any of the following occurs:

- an error occurs in the change cycle
- the system is switched on with no rack connected
- an overtravel error occurs
- an invalid command is received *
- a command is received while the system is busy *
- an external PICS STOP (STOP signal) is received

* The system returns to normal operation after reporting these errors.



NOTE: It is recommended that the probe is supported during removal from the ACR1 if the lock cycle has failed and the autojoint is not secured to the head.

Autochange system user's guide

www.renishaw.com

LED sequences and diagnosis

LED fault diagnosis

The table below shows the status of the rack and ACC2-3 LEDs and indicates the following fault conditions:

	LED	Lock / unlock timeout error	Change cycle aborted	Screw-driver timeout error	Excessive entry speed	Rack overtravel error	Rack not connected	RS232 CTS timeout	RS232 CTS timeout (in datum mode 1)	RS232 CTS timeout (in datum mode 2)
ACR1	Change cycle	⊖	⊖	⊖	⊖	⊖	⊖	⊖	●	⊖
ACR1	Probe active	⊖	⊖	⊖	⊖	⊖	⊖	⊖ or ●	●	⊖
ACR1	Cycle error	⊖	●	●	●	●	⊖	⊖	⊖	●
ACR1	Lock error	●	⊖	⊖	⊖	⊖	⊖	⊖	⊖	●
ACC2-3	Rack ready	⊖	⊖	⊖	⊖	⊖	⊖	⊖ or ●	⊖ or ●	⊖ or ●
ACC2-3	Rack active	⊖	⊖	●	●	⊖	⊖	⊖ or ●	⊖ or ●	⊖ or ●
ACC2-3	Lock error	●	⊖	⊖	⊖	⊖	●	⊖	⊖	⊖
ACC2-3	Overtravel error	⊖	⊖	⊖	●	●	●	⊖	⊖	⊖
ACC2-3	Stop	●	●	●	●	●	●	●	●	●















NOTE: For further information about RS232 CTS see the 'RS232 communications' section in Autochange system installation and programmer's guide (Renishaw part number H-1000-6012).

Autochange system user's guide

www.renishaw.com

Datum mode indication

The following table shows which LED sequences are used to indicate that the system is in datum mode:

LED	Datum mode 1	Datum mode 2
Change cycle		
Probe active		
Cycle error		
Lock error		
Rack ready		
Rack active		

Corrective action

Most of the error modes discussed in the 'Errors' section occur during the probe change cycle.

Preliminary action

In the event of an error, the machine will stop and the appropriate LEDs will light up.

The operator should then attempt to back the head out and away from the docking port in the exact reverse sequence to the way it was moved in. Care must be taken to support the probe / extension bar, which is unlikely to be secure in the case of a probe change cycle being aborted.

Autochange system user's guide

www.renishaw.com

Further troubleshooting

UNLOCK / LOCK TIMEOUT ERROR

In the event of a lock / unlock timeout error, it may be the case that the port lid is jamming or sticking. Ensure that the lid can open and shut smoothly and check for contamination of the sliding surfaces.

RACK OVERTRAVEL

For a diagnosed rack overtravel error, the possible causes are:

- Excessive entry speed, which can be adjusted as necessary
- The rack or head is not properly aligned (see sections 'Aligning the head' and 'Aligning the rack' for correct alignment procedure)
- A collision due to a program error
- The probe / adaptor has been manually locked onto the head and the 'screwdriver slot' angle is incorrect



NOTE: If a probe extension bar is manually locked (using an S10 autojoint key), it is advisable to lock it fully to the cam end stop then back the screwdriver slot off by approximately 5. If this is not done, it is unlikely that the probe will dock into the autochange rack.

- The probe / adaptor has been picked up from one port and put down in a different one. This is not good practice and can cause a problem if a move to or from port 8 is involved.

PROBE HEAD COLLISION

If the probe head should come into contact or collide with the rack, the alignment of both the rack and the head must be checked and re-aligned if necessary, as described in the relevant sections. In the case of a head collision involving a rack port, it may be necessary to check the port-to-rack alignment - see table below (excessive wear on ports). It is essential to correctly align the rack and the head to the CMM axes for smooth, wear-free operation.

GENERAL CHECKS

If the system is not working properly and the cause of the problem is unknown, run through the checks shown in the table below:

Autochange system user's guide

www.renishaw.com

Troubleshooting

Symptom	Possible causes	Action
System fails to start working	Discontinuity within system	Check fuse and mains supply. Check all cables and connections.
Spurious triggers	Vibration	Ensure that the head is not subject to machine vibration. Check machine speed. Check probe trigger force.
Excessive wear on ports	System incorrectly aligned Some ports are out of alignment with the rack	See sections 'Aligning the head' and 'Aligning the rack'. Check the alignment of the top face of each port: if they are more than 100 µm (0.004 in) out relative to each other return the ACR1 to Renishaw or your distributor / supplier.
Triggers on contact with autochange port	High entry speed causing vibration trigger on impact Probe sensitivity set too high	Reduce the docking speed. Fit a self-adhesive shock absorbing pad (M-1085-0294) to the male autojoint housing of the probe head at the point of contact with the ACR1 docking ports.

If there is any doubt about the cause of a problem, or about system performance in general, please contact the measuring machine or autochange supplier.

ACR1 maintenance

Cleaning

Clean the ACR1 and ACC2-3 with a dry cloth. The units are not sealed against water.

Appendix 1 - ACR1 international safety recommendations

Autochange system user's guide

www.renishaw.com

BG - Безопасност

Ако оборудването се използва по начин, който не е указан от производителя, това може да се отрази неблагоприятно на осигуряваната от оборудването защита. В оборудването няма части, подлежащи на сервизно обслужване от страна на потребителя.

Контролерът за глава ACC2-3 трябва да се използва с предоставеното захранващо устройство - XP POWER VEC40US24. Вижте информационния лист на производителя на адрес www.xppower.com.

Електрически номинални данни за захранващото устройство	
Захранващо напрежение	90 V - 246 V AC
Честотен диапазон	47 Hz до 63 Hz
Консумирана мощност	45 W макс.
Преходни напрежения	Клас II

ACC2-3 се изключва от променливотоковото захранване чрез отключване на захранващия IEC съединител от предоставеното захранващо устройство. Ако се изисква допълнително средство за изолиране, то трябва да бъде указано и монтирано от производителя на машината или монтажника на продукта. Изолаторът (устройството за изключване) трябва да е разположен така, че операторът да има лесен достъп до него, и да отговаря на всички нормативни разпоредби за опроводяване, приложими за страната на монтажа.

Autochange system user's guide

www.renishaw.com

Излъчване на инфрачервена светлина

LED ПРОДУКТ КЛАС 1



ВНИМАНИЕ: Този продукт използва инфрачервени сензорни лъчи. Оста в предната част на инфрачервения лъч е разположена в съответствие с прорезите в предната част на портовите капаци. Макар че прякото наблюдение на лъча е безопасно, на потребителя се препоръчва да избягва положение, при което окото е успоредно с оста на лъча или близо до LED източника, разположен от дясната страна на капака на порт 8.

Инфрачервен светлинен лъч



Autochange system user's guide

www.renishaw.com

Предупреждения

Съществуват рискове от притискане между движещи се части и между движещи се и неподвижни части. а не се държи главата на пробника по време на движения, или при ръчна смяна на пробника.

Пазете се от неочаквано движение. Потребителят трябва да остава извън пълния работен обсег на комбинациите глава на пробника / удължител / пробник.

Работете със и изхвърляйте батериите в съответствие с препоръките на производителя. Използвайте само препоръчаните батерии. Не позволявайте на батериите да допират други метални части.

Препоръчва се защита на очите във всички приложения, включващи използване на машини или СММ.

В приборите Renishaw с мрежово захранване няма части, които да се обслужват от потребителя. Дефектиралите прибори да се връщат в сервизния център за обслужване на клиенти на Renishaw.

Заменяйте изгорелите предпазители с нови от същия тип. Вж. раздел БЕЗОПАСНОСТ в съответната документация за продукта.

За инструкции по отношение безопасното почистване на продуктите Renishaw вж. раздел „Поддръжка“ в съответната документация на продукта.

Преди извършване на всякакви операции по поддръжката да се изключва захранването.

Вж. инструкциите за работа на доставчика на машината.

Отговорност на доставчика на машината е да гарантира, че на потребителя са обяснени всякакви рискове по време на работа, включително онези, упоменати в продуктовата документация на Renishaw, и да гарантира осигуряване на съответни предпазители и обезопасителни блокировки.

При определени обстоятелства сигналът от пробника може да посочва фалшиво състояние на опрян пробник. Да не се разчита на сигналите от пробника за спиране движението на машината.

АСС2-3 се изолира от променливотоковото захранване с помощта на превключвател на задния панел. Ако се изисква допълнително средство за изолация, то трябва да бъде посочено и монтирано от производителя на машината или монтажника на продукта.

Изолаторът трябва да е разположен с лесен достъп до него от оператора на СММ и да отговаря на IEC61010 и всяка приложима нормативна уредба за опроводяване в страната на монтажа.

Autochange system user's guide

www.renishaw.com

CS - Bezpečnost

Pokud je zařízení používáno způsobem, který není specifikován výrobcem, může dojít ke snížení ochrany poskytované zařízením. Uvnitř zařízení nejsou žádné části, jejichž servis by mohl provádět uživatel.

Řídicí jednotka hlavy ACC2-3 se musí používat s napájecím zdrojem XP POWER VEC40US24. Viz datový list výrobce na adrese www.xppower.com.

Elektrotechnické hodnoty napájecího zdroje	
Napájecí napětí	90 V – 246 V AC
Frekvenční rozsah	47 Hz až 63 Hz
Příkon	max. 45 W
Přechodná napětí	Třída II

Zařízení ACC2-3 se odpojuje od střídavého napětí odpojením IEC síťového konektoru na dodaném napájecím zdroji. Je-li zapotřebí další prostředek pro odpojení, musí být specifikován a instalován výrobcem stroje nebo tím, kdo produkt instaluje. Rozpojovač / odpojovací zařízení musí být umístěno ve snadném dosahu obsluhy a musí splňovat všechny příslušné státní předpisy pro zapojení platné v zemi instalace.

Vyzařování infračerveného světla

VÝROBEK LED 1. TŘÍDY



UPOZORNĚNÍ: Tento výrobek používá infračervené snímací paprsky. Osa v přední části infračerveného světelného paprsku leží v rovině s otvory v přední části víka portu. I když je přímý pohled do paprsku bezpečný, uživatelům se doporučuje vyhnout se pohledu do osy paprsku nebo v blízkosti zdroje LED v pravé části víka s 8 porty.

Infračervený světelný paprsek



Autochange system user's guide

www.renishaw.com

Upozornění

Mezi pohyblivými součástmi a mezi pohyblivými a statickými součástmi hrozí nebezpečí přiskřípnutí. Při přesunování nebo ručním nastavování nedržte snímací hlavici.

Dejte pozor na nečekaný pohyb stroje. Uživatel by se měl zdržovat mimo pracovní rozsah stroje, zejména mimo místa pohybu snímací hlavy, prodloužení (nástavce) a sondy.

Při manipulaci s bateriemi a při jejich likvidaci dodržujte doporučení výrobce. Používejte pouze doporučené baterie. Zabraňte kontaktu vývodů baterie s jinými kovovými předměty.

Při jakékoli práci s obráběcími stroji nebo souřadnicovými měřicími stroji (CMM) je doporučeno používat ochranu očí.

Sítově napájené produkty Renishaw neobsahují žádné části opravitelné uživatelem. Vadné jednotky zašlete do centra autorizovaného servisu společnosti Renishaw.

Spálené pojistky nahradte novými pojistkami stejného typu. Příslušnou dokumentaci k produktu naleznete v části BEZPEČNOSTNÍ OPATŘENÍ.

Pokyny týkající se bezpečného čištění produktů společnosti Renishaw naleznete v části Údržba v dokumentaci k příslušnému produktu.

Před započítím jakékoliv údržby zařízení odpojte napájení.

Přečtěte si provozní pokyny dodavatele příslušného stroje.

Povinností dodavatele stroje je informovat uživatele o nebezpečích spojených s provozem i o nebezpečích zmiňovaných v dokumentaci k produktům společnosti Renishaw a zajistit dostatečné ochranné a bezpečnostní systémy.

Za určitých okolností může signál sondy nesprávně označovat klidový stav sondy. Nevyužívejte signály sondy jako hlavní impuls pro zastavování stroje.

Zařízení ACC2-3 se odpojuje od napájení střídavým napětím pomocí síťového vypínače na zadním panelu. Další požadované prostředky pro odpojení přívodu musí specifikovat a připojovat výrobce zařízení nebo ten, kdo zařízení instaluje. Odpojovací prvek musí být umístěn ve snadném dosahu obsluhy souřadnicového měřicího stroje a splňovat normu IEC61010 a všechny příslušné státní předpisy pro zapojení platné v zemi instalace.

Autochange system user's guide

www.renishaw.com

DA - Sikkerhed

Hvis udstyret anvendes på en måde, som ikke er specificeret af producenten, kan udstyrets beskyttelse blive påvirket. Der er ingen dele inde i udstyret, der kan efterses eller repareres af brugeren.

ACC2-3 hovedstyringen skal anvendes sammen med den leverede PSU - XP POWER VEC40US24. Se producentens dataark på www.xppower.com.

PSU elektrisk effekt	
Forsyningsspænding	90 V - 246 V vekselstrøm
Frekvensområde	47 Hz til 63 Hz
Effektforbrug	45 W maks.
Transiente spændinger	Klasse II

Vekselstrømsforsyningen til ACC2-3 afbrydes ved frakobling af IEC strømforsyningsstikket fra den leverede PSU. Hvis der kræves yderligere måder at afbryde strømforsyningen på, skal de være specificeret og monteret af maskinproducenten eller installatøren af produktet. Afbryderen/frakoblingsenheden skal være placeret, så operatøren nemt kan nå den, og den skal overholde alle relevante nationale regulativer for ledningsføring i det land, hvor installationen foretages.

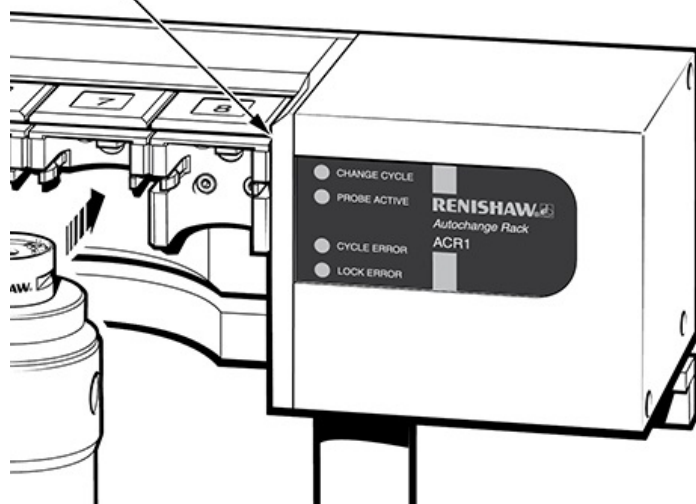
Infrarøde lysstråler

KLASSE 1 LED-PRODUKT



FORSIGTIG! Dette produkt bruger infrarøde følestråler. Aksen foran den infrarøde lysstråle er på linje med sprækken på forsiden af portlågene. Selvom det er sikkert at kikke direkte på strålen, anbefales brugeren ikke at sætte øjet på linje med stråleaksen eller tæt på LED-kilden der sidder i højre side af port 8-låget.

Infrarød lysstråle



Autochange system user's guide

www.renishaw.com

Advarsler

Der er risiko for at blive klemt mellem bevægelige dele og mellem bevægelige og statiske dele. Hold ikke på sondehovedet under bevægelse eller ved manuelle sondeskift.

Pas på uventede bevægelser. Brugeren bør holde sig uden for hele probehovedets/forlængerens/probekombinationernes arbejdsområde.

Håndter og bortskaf batterier i henhold til producentens anbefalinger. Anvend kun de anbefalede batterier. Lad ikke batteriterminalerne komme i kontakt med andre genstande af metal.

I alle tilfælde, hvor der anvendes værktøjs- og koordinatmålemaskiner, anbefales det at bære beskyttelsesbriller.

Der er ingen dele inde i Renishawenhederne, som sluttes til lysnettet, der kan efterses eller repareres af brugeren. Send alle defekte enheder til Renishaws kundeservicecenter.

Udskift sikringer, der er sprunget, med nye komponenter af samme type. Se i afsnittet SIKKERHED (SAFETY) i produktdokumentationen.

Se afsnittet MAINTENANCE (VEDLIGEHOLDELSE) i produktdokumentationen for at få instruktioner til sikker rengøring af Renishawprodukter.

Afbryd strømforsyningen, før der foretages vedligeholdelse.

Se maskinleverandørens brugervejledning.

Det er maskinleverandørens ansvar at sikre, at brugeren er bekendt med eventuelle risici i forbindelse med driften, herunder de risici, som er nævnt i Renishaws produktdokumentation, og at sikre, at der er tilstrækkelig afskærmning af sikkerhedsblokeringer.

Under visse omstændigheder kan probesignalet ved en fejl angive, at proben står stille. Stol ikke på, at probesignaler vil stoppe maskinens bevægelse.

ACC2-3 kan afbrydes fra vekselstrømmen ved hjælp af hovedafbryderen på bagpanelet. Hvis der kræves yderligere måder at afbryde strømforsyningen på, skal de være specificeret og monteret af maskinproducenten eller installatøren af produktet. Afbryderen skal være placeret, så CMM-operatøren nemt kan nå den, og den skal overholde IEC61010 og eventuelle andre relevante nationale regulativer for ledningsføring i det land, hvor installationen foretages.

Autochange system user's guide

www.renishaw.com

DE - Sicherheitshinweise

Wird das Gerät für einen nicht vom Hersteller spezifizierten Zweck benutzt, kann dies zu einer Beeinträchtigung des vom Gerät bereitgestellten Schutzes führen. Es befinden sich keine zu wartenden Bauteile im System.

Die Kopfsteuerung ACC2-3 ist für eine Verwendung mit der PSU - XP POWER VEC40US24 bestimmt. Siehe hierzu das Herstellerdatenblatt auf www.xppower.com.

Nennwerte des Netzteils	
Versorgungsspannung	90 V - 246 V AC
Frequenzbereich	47 Hz bis 63 Hz
Stromverbrauch	max. 45 W
Kurzzeitige Überspannungen	Klasse II

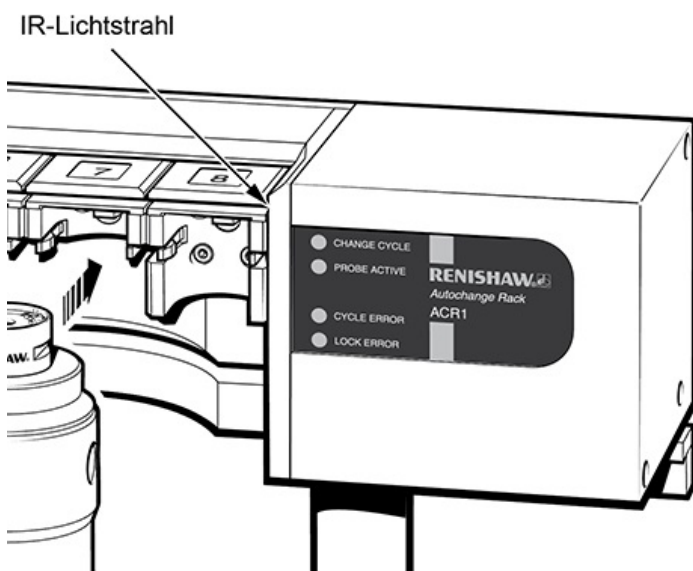
Die ACC2-3 wird über einen IEC-Netzstecker von der Spannungsversorgung des mitgelieferten Netzteils getrennt. Wird eine weitere Abschaltmöglichkeit benötigt, ist diese zu spezifizieren und vom Maschinenhersteller oder Installationstechniker für das Produkt einzubauen. Der Trennschalter / die Abschaltvorrichtung muss für den Bediener leicht erreichbar sein und allen einschlägigen nationalen Verdrahtungsvorschriften im Installationsland erfüllen.

Emission von Infrarotlicht

LED-PRODUKT DER KLASSE 1



ACHTUNG: Dieses Produkt setzt Infrarotstrahlen ein. Die Position der Achse vor dem IR-Strahl entspricht den Schlitzen in der Vorderseite der Anschlussabdeckungen. Obwohl ein Direktblick auf den Strahl ungefährlich ist, raten wir Anwendern, nicht direkt auf die Strahlachse oder in die Nähe der LED-Quelle rechts neben der Abdeckung von Anschluss 8 zu blicken.



Autochange system user's guide

www.renishaw.com

Warnhinweise

Zwischen zwei beweglichen und zwischen beweglichen und statischen Teilen besteht Einklemmgefahr. Der Messtasterkopf darf während des Betriebs oder eines manuellen Messtasterwechsels nicht festgehalten werden.

Auf unerwartete Bewegungen achten. Der Anwender darf sich nur außerhalb des Messtaster-Arbeitsbereichs aufhalten.

Batterien gemäß den Anleitungen des Herstellers verwenden und entsorgen. Nur die empfohlenen Batterien verwenden. Die Batterieklemmen nicht in Kontakt mit metallischen Gegenständen bringen.

Bei Arbeiten an Koordinatenmessgeräten und Werkzeugmaschinen wird ein Augenschutz empfohlen.

In mit Netzstrom versorgten Systemen von Renishaw befinden sich keine zu wartenden Bauteile. Senden Sie defekte Geräte an Ihren Renishaw Kundendienst zurück.

Durchgebrannte Sicherungen dürfen nur mit gleichwertigen ersetzt werden. Beachten Sie den Abschnitt SICHERHEIT der zugehörigen Produktdokumentation.

Anleitungen zur sicheren Reinigung von Renishaw Produkten sind im Kapitel WARTUNG in der Produktdokumentation enthalten.

Bevor Wartungsarbeiten begonnen werden, muss die Stromversorgung getrennt werden.

Beachten Sie die Bedienungsanleitungen des Maschinenherstellers.

Es obliegt dem Maschinenlieferanten, den Anwender über alle Gefahren, die sich aus dem Betrieb der Ausrüstung, einschließlich der, die in der Renishaw Produktdokumentation erwähnt sind, zu unterrichten und sicherzustellen, dass ausreichende Schutzvorrichtungen und Sicherheitsverriegelungen eingebaut sind.

Es kann passieren, dass der Messtaster fälschlicherweise eine Ruhestellung des Messtasters signalisiert. Verlassen Sie sich nicht alleine auf das Messtastersignal, um Maschinenbewegungen zu stoppen.

ACC2-3 wird über den Netzschalter an der Rückplatte von der Stromversorgung getrennt. Wird eine weitere Abschaltmöglichkeit benötigt, ist diese zu spezifizieren und vom Maschinenhersteller oder Installationstechniker für das Produkt einzubauen. Der Trennschalter muss für den CMM-Bediener leicht erreichbar sein und IEC61010-Bestimmungen, wie auch alle anderen gültigen nationalen Verdrahtungsvorschriften im Installationsland erfüllen.

Autochange system user's guide

www.renishaw.com

ΕΛ - Ασφάλεια

Εάν ο εξοπλισμός χρησιμοποιείται με τρόπο μη προδιαγεγραμμένο από τον κατασκευαστή, η παρεχόμενη προστασία του εξοπλισμού πιθανώς να παρεμποδίζεται. Στο εσωτερικό του εξοπλισμού δεν υπάρχουν εξαρτήματα που μπορούν να επισκευαστούν από το χρήστη.

Ο ελεγκτής κεφαλής ACC2-3 πρέπει να χρησιμοποιείται με το παρεχόμενο PSU - XP POWER VEC40US24. Δείτε το φυλλάδιο δεδομένων του κατασκευαστή στην ιστοσελίδα www.xppower.com.

Κατηγορίες ηλεκτρικών PSU	
Τάση παροχής	90 V - 246 Vac
Εύρος συχνότητας	47 Hz έως 63 Hz
Κατανάλωση ισχύος	45 W μέγ
Μεταβατικές τάσεις	Κατηγορία II

Το ACC2-3 απομονώνεται από την ισχύ εναλλασσόμενου ρεύματος μέσω αποσύνδεσης της υποδοχής ηλεκτρικού ρεύματος IEC από το παρεχόμενο PSU. Εάν απαιτούνται οποιαδήποτε συμπληρωματικά μέσα απομόνωσης, πρέπει αυτά να καθοριστούν και να τοποθετηθούν από τον κατασκευαστή της μηχανής ή από τον εγκαταστάτη του προϊόντος. Ο απομονωτής / η συσκευή αποσύνδεσης πρέπει να βρίσκονται σε σημείο εύκολα προσβάσιμο από το χειριστή και να συμμορφώνονται με οποιουδήποτε εφαρμοζόμενους εθνικούς κανονισμούς καλωδιώσεων για τη χώρα εγκατάστασης.

Autochange system user's guide

www.renishaw.com

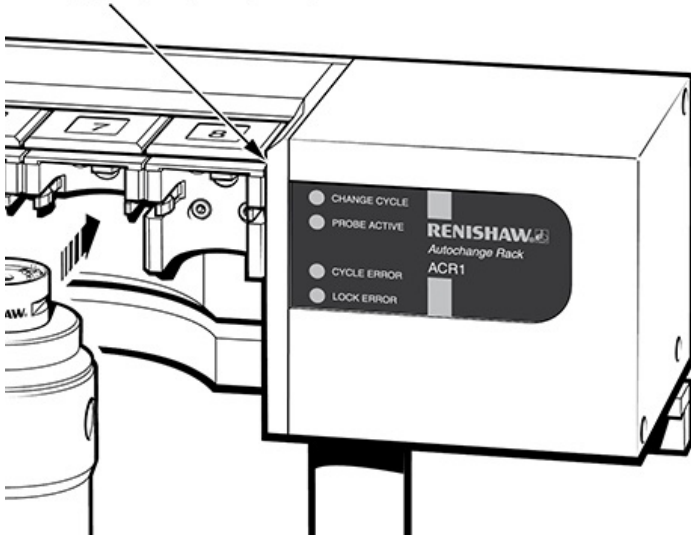
Εκπομπή υπερύθρου φωτός

ΠΡΟΙΟΝ ΤΑΞΗΣ 1 ΜΕ ΦΩΤΟΔΙΟΔΟΥΣ LED



ΠΡΟΣΟΧΗ: Το προϊόν αυτό χρησιμοποιεί δέσμες ανίχνευσης υπερύθρου φωτός. Ο άξονας στο μπροστινό μέρος της δέσμης υπερύθρου φωτός είναι ευθυγραμμισμένος με τις υποδοχές στα μπροστινά μέρη των καλυμμάτων των θυρών. Αν και η απευθείας θέαση της δέσμης είναι ασφαλής, ο χρήστης ενημερώνεται να αποφεύγει να κοιτάζει σε ευθυγράμμιση με τον άξονα της δέσμης ή κοντά στην πηγή LED που βρίσκεται στη δεξιά πλευρά του καλύμματος της θύρας 8.

Δέσμη υπερύθρου φωτός



Autochange system user's guide

www.renishaw.com

Προειδοποιήσεις

Υπάρχει κίνδυνος συμπίεσης μεταξύ κινούμενων μερών καθώς και μεταξύ κινούμενων και στατικών μερών. Δεν πρέπει να κρατάτε την κεφαλή του ανιχνευτή κατά την κίνηση ούτε κατά τη διάρκεια χειροκίνητων αλλαγών του ανιχνευτή.

Προσέξτε τις ξαφνικές κινήσεις. Ο χρήστης πρέπει να παραμένει εκτός του χώρου που επηρεάζεται από όλους τους συνδυασμούς λειτουργίας της κεφαλής του αισθητήρα, της προέκτασης και του αισθητήρα.

Να χρησιμοποιείτε και να διαθέτετε τις μπαταρίες σύμφωνα με τις συστάσεις του κατασκευαστή. Να χρησιμοποιείτε μόνο τις προτεινόμενες μπαταρίες. Μην αφήσετε να έλθουν σε επαφή οι πόλοι της μπαταρίας με άλλα μεταλλικά αντικείμενα.

Σε όλες τις εφαρμογές που συνεπάγονται τη χρήση εργαλείων μηχανημάτων και εξαρτημάτων CMM, συνιστάται η χρήση συσκευής προστασίας των ματιών.

Στο εσωτερικό μονάδων της Renishaw που συνδέονται με το κεντρικό ηλεκτρικό ρεύμα δεν υπάρχουν εξαρτήματα που μπορούν να επισκευαστούν από το χρήστη. Επιστρέψτε τις ελαττωματικές μονάδες σε εξουσιοδοτημένο κέντρο εξυπηρέτησης πελατών της Renishaw.

Αντικαταστήστε τις καμένες ασφάλειες με νέες ασφάλειες του ίδιου τύπου. Ανατρέξτε στο κεφάλαιο ΑΣΦΑΛΕΙΑ στο σχετικό εγχειρίδιο προϊόντος.

Για οδηγίες σχετικά με τον ασφαλή καθαρισμό των προϊόντων Renishaw, ανατρέξτε στην ενότητα Συντήρηση του έντυπου συνοδευτικού υλικού του αντίστοιχου προϊόντος.

Αποσυνδέστε το μηχάνημα από το ηλεκτρικό ρεύμα πριν επιχειρήσετε οποιοσδήποτε εργασίες συντήρησης.

Ανατρέξτε στις οδηγίες λειτουργίας του προμηθευτή του μηχανήματος.

Αποτελεί ευθύνη του προμηθευτή του μηχανήματος να εξασφαλίσει ότι ο χρήστης είναι ενήμερος για τυχόν κινδύνους που συνεπάγεται η λειτουργία, συμπεριλαμβανομένων όσων αναφέρονται στα εγχειρίδια του προϊόντος της Renishaw και ότι υπάρχουν τα απαιτούμενα προστατευτικά καλύμματα και οι συνδέσεις ασφαλείας.

Υπό ορισμένες συνθήκες μπορεί το σήμα ανιχνευτή να δώσει εσφαλμένη ένδειξη θέσης του ανιχνευτή. Μη βασίζεστε στα σήματα ανιχνευτή για τη διακοπή της κίνησης του μηχανήματος.

Το ACC2-3 απομονώνεται από την παροχή εναλλασσόμενου ρεύματος μέσω του διακόπτη παροχής στον πίσω πίνακα. Εάν απαιτούνται οποιαδήποτε συμπληρωματικά μέσα απομόνωσης, πρέπει αυτά να καθοριστούν και να τοποθετηθούν από τον κατασκευαστή της μηχανής ή από τον εγκαταστάτη του προϊόντος. Ο απομονωτής πρέπει να βρίσκεται σε σημείο εύκολα προσβάσιμο από το χειριστή του CMM και να συμμορφώνεται με το πρότυπο IEC61010 και με οποιοσδήποτε εφαρμοζόμενος εθνικούς κανονισμούς καλωδιώσεων για τη χώρα εγκατάστασης.

Autochange system user's guide

www.renishaw.com

EN - Safety

If the equipment is used in a manner not specified by the manufacturer, the protection provided by the equipment may be impaired. There are no user serviceable parts inside the equipment.

The ACC2-3 head controller is to be used with the provided PSU - XP POWER VEC40US24. See manufacturer's datasheet at www.xppower.com.

PSU electrical ratings	
Supply voltage	90 V - 246 Vac
Frequency range	47 Hz to 63 Hz
Power consumption	45 W max
Transient voltages	Class II

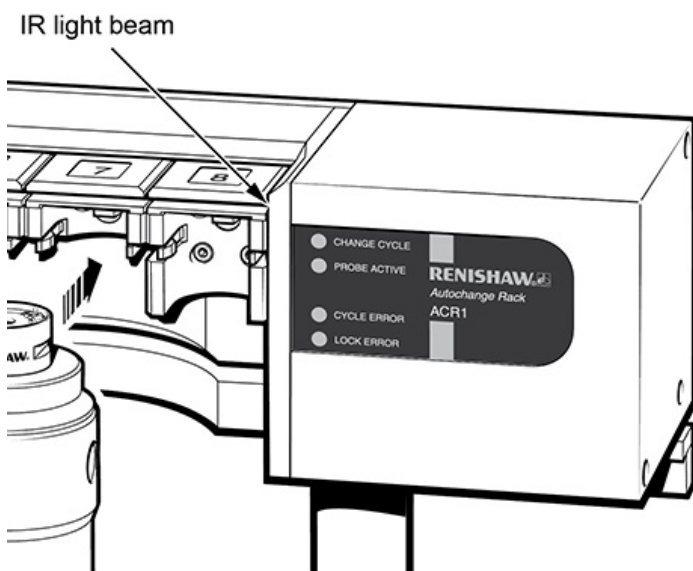
ACC2-3 is isolated from ac power by disconnection of the IEC mains connector from the supplied PSU. If any additional means of isolation is required, it must be specified and fitted by the machine manufacturer or installer of the product. The isolator / disconnection device must be sited within easy reach of the operator and comply with any applicable national wiring regulations for the country of installation.

Infra red light emission

CLASS 1 LED PRODUCT



CAUTION: This product uses infra red sensing beams. The axis in the front of IR light beam is located in line with the slots in the fronts of the port lids. Although direct viewing of the beam is safe, the user is advised to avoid placing an eye in line with the beam axis or close to the LED source located at the right hand side of the port 8 lid.



Autochange system user's guide

www.renishaw.com

Warnings

Pinch hazards exist between moving parts and between moving and static parts. Do not hold the probe head during movements, or during manual probe changes.

Beware of unexpected movement. The user should remain outside of the full working envelope of probe head/extension/probe combinations.

Handle and dispose of batteries according to the manufacturer's recommendations. Use only the recommended batteries. Do not allow the battery terminals to contact other metallic objects.

In all applications involving the use of machine tools or CMMs, eye protection is recommended.

There are no user serviceable parts inside Renishaw mains powered units. Return defective units to an authorised Renishaw Customer Service Centre.

Replace blown fuses with new components of the same type. Refer to the SAFETY section of the relevant product documentation.

For instructions regarding the safe cleaning of Renishaw products, refer to the Maintenance section of the relevant product documentation.

Remove power before performing any maintenance operations.

Refer to the machine supplier's operating instructions.

It is the machine supplier's responsibility to ensure that the user is made aware of any hazards involved in operation, including those mentioned in Renishaw product documentation, and to ensure that adequate guards and safety interlocks are provided.

Under certain circumstances the probe signal may falsely indicate a probe seated condition. Do not rely on probe signals to stop machine movement.

ACC2-3 is isolated from ac power by means of the mains switch on the rear panel. If any additional means of isolation is required, it must be specified and fitted by the machine manufacturer or the installer of the product. The isolator must be sited within easy reach of the CMM operator and comply with IEC61010 and any applicable national wiring regulations for the country of installation.

Autochange system user's guide

www.renishaw.com

ES - Seguridad

Si no se cumplen las indicaciones especificadas por el fabricante para la utilización del equipo, la protección de este puede resultar inutilizada. El equipo no tiene en su interior piezas que pueda reparar el usuario.

El controlador principal ACC2-3 tiene que usarse con la PSU - XP POWER VEC40US24 proporcionada. Consulte la hoja de datos del fabricante en www.xppower.com.

Especificaciones eléctricas de la PSU	
Tensión de suministro	90 V - 246 Vca
Rango de frecuencias	47 Hz a 63 Hz
Consumo de potencia	45 W máx.
Voltaje de sobretensión	Clase II

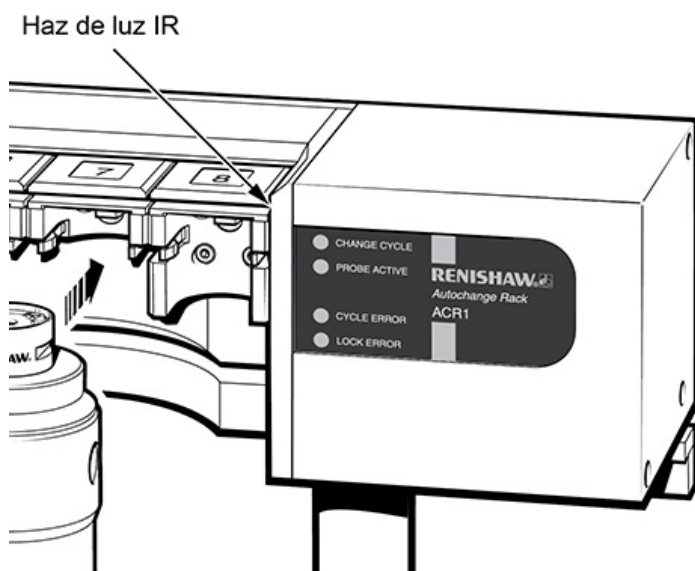
SPA3-3 se aísla de la tensión de CA desconectando el conector de red IEC de la fuente de alimentación suministrada. Si es necesario algún otro método de aislamiento adicional, debe especificarse e instalarse por el fabricante de la máquina o el instalador del producto. El aislante/dispositivo de desconexión se colocará en un punto de fácil acceso para el operario y debe cumplir las regulaciones de cableado correspondientes al país de la instalación.

Emisión de luz infrarroja

PRODUCTO LED CLASE 1



PRECAUCIÓN: Este producto utiliza haces de detección de luz infrarroja. El eje delante del haz de luz IR está situado en línea con las ranuras de las partes frontales de las tapas de los puertos. Aunque la visión directa del haz es segura, se recomienda al usuario evitar colocar un ojo en línea con el eje del haz o cerca de la fuente LED ubicada en el lado derecho de la tapa del puerto 8.



Autochange system user's guide

www.renishaw.com

Advertencias

Existe el peligro de atraparse los dedos entre las distintas partes móviles y entre partes móviles e inmóviles. No agarre el cabezal de la sonda durante los movimientos ni durante los cambios manuales de la sonda.

Tenga cuidado con los movimientos inesperados. El usuario debe permanecer fuera del área total de trabajo de las combinaciones de cabezal de sonda/extensión/sonda.

Las baterías deben ser manejadas y tiradas según las recomendaciones del fabricante. Use sólo las baterías recomendadas. No permita que los terminales de las mismas entren en contacto con otros objetos metálicos.

Se recomienda usar gafas de protección en todas las aplicaciones que implican el uso de Máquinas-Herramienta y máquinas de medición de coordenadas.

Las unidades de Renishaw que se alimentan de la red eléctrica no contienen piezas que puedan ser reparadas o reemplazadas por el usuario. Las unidades defectuosas deben ser devueltas a uno de los Centros de Servicio al Cliente en Renishaw.

Sustituya los fusibles fundidos con componentes nuevos del mismo tipo. Consulte la sección de SEGURIDAD de la documentación del producto correspondiente.

Para obtener instrucciones relacionadas con la limpieza segura de los productos de Renishaw, consulte la sección de Mantenimiento de la documentación del producto correspondiente.

Quite la corriente antes de realizar cualquier operación de mantenimiento.

Remítase a las instrucciones de manejo del proveedor de la máquina.

Es responsabilidad del proveedor de la máquina asegurar que el usuario sea informado sobre los peligros relacionados con el funcionamiento, incluidos los peligros mencionados en la documentación de los productos Renishaw, y asegurar que se suministran los dispositivos de protección y seguridad adecuados.

Bajo determinadas circunstancias la señal de la sonda puede indicar erróneamente que la sonda está asentada. No confíe en las señales de la sonda para detener la máquina.

ACC2-3 se aísla de la alimentación eléctrica de CA a través del interruptor de red del panel posterior. Si es necesario algún otro método de aislamiento adicional, debe especificarse e instalarse por el fabricante de la máquina o el instalador del producto. El aislante se colocará en un punto de fácil acceso para el operario de la MMC, y debe cumplir la norma IEC61010 y las regulaciones de cableado correspondientes al país de la instalación.

Autochange system user's guide

www.renishaw.com

ET - Ohutus

Kui seadet kasutatakse viisil, mida tootja ei ole ette näinud, võib seadme pakutav kaitse väheneda. Seadmestiku sees ei ole ühtegi kasutaja hooldatavat komponenti.

Põhikontrollerit ACC2-3 tuleb kasutada koos kaasasoleva toiteplokiuga XP POWER VEC40US24. Vaadake tootjapoolset andmelehte, mis on saadaval veebilehel www.xppower.com.

Toiteploki elektrilised nimiaandmed	
Toitepinge	90 V - 246 Vac
Sagedusala	47 Hz – 63 Hz
Võimsustarve	Maksimaalselt 45 W
Siirdepinged	Klass II

ACC2-3 isoleeritakse vahelduvvoolutoitest, ühendades Rahvusvahelise Elektrotehnikakomisjoni (IEC) võrgukonnektori tarnekomplektis sisalduvast toiteplokiist lahti. Kui esineb vajadus täiendavate isoleerimisviiside järele, tuleb need määratleda ja paigaldada masina tootjal või toote paigaldajal. Isolaator/katkestusvahend peab asuma kasutajale hõlpsalt ligipääsetavas kohas ning vastama kõigile kohalduvatele riiklikele juhtmestikke käsitlevatele regulatsioonidele, mis kehtivad riigis, kuhu seade on paigaldatud.

Infrapunavalguse emissioon

KLASSI 1 LED-TOODE



ETTEVAATUST! Tootes kasutatakse infrapuna tajukiiri. Infrapunakiire ees olev telg asub pordi kaane esiosal olevate avadega ühel joonel. Kuigi kiire sisse vaatamine on ohutu, ei soovitata kasutajal siiski silma kiire teljega samale joonele ega pordi 8 kaanest paremal asuva LED-allika lähedale panna.

Infrapunavalguse kiir



Autochange system user's guide

www.renishaw.com

Hoiatused

Muljumisoht eksisteerib masina liikuvate ning liikuvate ja liikumatute osade vahel. Ärge hoidke masina liikumise ajal või sondi käsitsi vahetamise ajal sondipeast kinni.

Olge ettevaatlik ootamatute liikumiste suhtes. Kasutaja peab jääma väljapoole kogu sondi pea/laienduse/sondi kombinatsiooni tööpiirkonda.

Akude käitlemine ja utiliseerimine peab toimuma vastavalt tootja poolt antud soovitudele. Kasutage ainult tootja poolt soovitatud akusid. Vältige akupesade kokkupuudet muude metallobjektidega.

Kõikide rakenduste puhul, mis kasutavad tööpinke või koordinaatmõõtemasinaid, on soovitatav kasutada kaitseprille.

Vooluvõrgus töötavates Renishaw' masinates ei ole selliseid osi, mida kasutaja peaks ise hooldama. Tagastage vigased seadmed volitatud Renishaw' klienditeeninduskeskusse.

Asendage läbipõlenud kaitsmed uute sama tüüpi kaitsmetega. Lugege asjaomase toote dokumentatsiooni jaotist OHUTUS.

Renishaw' toodete ohutu puhastamise juhised on toodud vastava toote dokumentatsioonis jaotises „Hooldus“.

Enne hooldustööde tegemist ühendage seade toiteallikast lahti.

Täpsemad juhised leiate masina tarnija poolt antud kasutusjuhendist.

Masina tarnija vastutuseks on tagada, et kasutajat teavitatakse masina tööga kaasnevatest ohtudest, kaasa arvatud need ohud, mida on mainitud Renishaw toote dokumentides, ning samuti tagada, et masinaga oleks kaasas korrektsed kaitsepiirded ja turvalukud.

Teatud tingimustel võib sondi signaal viidata valesti sondiga seotud olukorrale. Ärge lootke masina liikumise peatamiseks sondi signaalile.

ACC2-3 isoleeritakse vahelduvvoolust tagapaneelil asuva aku peatoitelüliti abil. Kui esineb vajadus lisaisoleerimisviiside järele, tuleb need määratleda ja paigaldada masina tootjal või toote paigaldajal. Isolaator peab asuma koordinaatmõõtemasina operaatorile kergelt ligipääsetavas kohas ja olema kooskõlas standardiga IEC61010 ning teiste juhtmestikke puudutavate kohalduvate riiklike eeskirjadega.

Autochange system user's guide

www.renishaw.com

FI - Turvallisuus

Jos laitetta käytetään valmistajan ohjeista poikkeavalla tavalla, sen suojavaikutus voi olla puutteellinen. Laitteen sisällä ei ole huollettavia osia.

ACC2-3-pääohjainta käytetään yhdessä laitteen PSU - XP POWER VEC40US24 kanssa. Katso valmistajan tiedotetta osoitteessa www.xppower.com.

PSU-sähköluokitukset	
Syöttöjännite	90 V – 246 V AC
Taajuusalue	47–63 Hz
Virrankulutus	45 W enintään
Siirtojännitteet	Luokka II

ACC2-3 eristetään vaihtovirtalähteestä irrottamalla IEC-virtajohdin laitteen mukana toimitetusta PSU-yksiköstä. Jos muita eristämistapoja tarvitaan, ne tulee määritellä ja asentaa koneen valmistajan tai tuotteen asentajan toimesta. Eristyskytkin/katkaisija on sijoitettava asennuspaikalla voimassa olevien sähkötekniisten asennusohjeiden mukaisesti sellaiseen paikkaan, jossa se on helposti käyttäjän ulottuvilla.

Lähetää infrapunavaloa

LUOKAN 1 LED-TUOTE



VAROITUS: Tämä tuote käyttää infrapunavaloa (IR) -pohjaisia tunnistusvalokeiloja. IR-valokeilan etuakseli sijaitsee samassa linjassa portin kansien edessä olevien aukkojen kanssa. Vaikka valokeilaan voi katsoa suoraan turvallisesti, on suositeltavaa välttää asettamasta silmiä samaan linjaan valokeilan akselin kanssa tai portin 8 kannen oikealla puolella olevan LED-lähteen lähelle.

IR-valonsäde



Autochange system user's guide

www.renishaw.com

Varoitukset

Liikkuvien osien ja staattisten osien välillä on litistymisvaara. Älä pidä kiinni mittapästä sen liikkussa tai vaihtaessasi anturia käsin.

Varo odottamatonta liikettä. Käyttäjien on pysyteltävä mittapään, jatkeen ja anturin yhdistelmän toiminta-alueen ulkopuolella.

Käytä ja hävitä paristot niiden valmistajien ohjeiden mukaisesti. Käytä ainoastaan suositeltuja paristoja. Älä anna pariston napojen koskettaa muita metalliesineitä.

Silmänsuojainten käyttö on suositeltavaa kaikkia työstökoneita ja koordinoituja mittauskoneita (CMM) käytettäessä.

Sähköverkkoon kytkettävät Renishaw-tuotteet eivät sisällä käyttäjän huollettavia osia. Vialliset osat tulee palauttaa valtuutetulle Renishaw-asiakaspalvelukeskukselle.

Korvaa palaneet sulakkeet samantyyppisillä uusilla sulakkeilla. Lue tuotedokumentaation Safety (Turvallisuus) -kohta.

Renishaw-tuotteiden turvalliset puhdistusohjeet löytyvät tuotedokumentaation Maintenance (Huolto) -kohdasta.

Katkaise virta ennen huoltotoimenpiteiden suorittamista.

Tutustu koneen toimittajan käyttöohjeisiin.

Koneen toimittajan vastuulla on että käyttäjä on saanut tiedon mahdollisista käyttöön liittyvistä vaaroista, mukaan lukien Renishaw'n tuoteselosteessa mainitut vaarat. Konetoimittajan tulee myös varmistaa, että suojukset ja turvalukitukset ovat riittävät.

Tietyissä olosuhteissa anturin signaali saattaa virheellisesti ilmaista anturin kytkeytynyttä tilaa. Älä luota siihen, että anturin signaalit pysäyttävät varmuudella koneen liikkumisen.

ACC2-3 eristetään vaihtovirtalähteestä takapaneelissa olevan pääkatkaisijan avulla. Jos ylimääräisiä eristyskeinoja tarvitaan, tämä täytyy määritellä ja mahdolliset laitteet kiinnittää koneeseen tuotteen valmistajan tai asentajan toimesta. Eristyskytkin on sijoitettava IEC61010 -standardin ja asennuspaikalla voimassa olevien sähkötekniisten asennusohjeiden mukaisesti sellaiseen paikkaan, jossa se on helposti CMM-käyttäjän ulottuvilla.

Autochange system user's guide

www.renishaw.com

FR - Sécurité

Si l'équipement est utilisé d'une façon contre-indiquée par le fabricant, la protection fournie par le matériel peut être compromise. L'équipement ne contient aucune pièce réparable par l'utilisateur.

Il faut utiliser le contrôleur principal ACC2-3 en conjonction avec le bloc d'alimentation fourni PSU - XP POWER VEC40US24. Consultez la fiche technique du fabricant sur le site www.xppower.com.

Caractéristiques électriques du bloc d'alimentation	
Tension d'alimentation	90 V - 246 V c.a.
Plage de fréquence	47 Hz à 63 Hz
Consommation électrique	45 W max.
Tensions transitoires	Catégorie II

Pour isoler l'ACC2-3 de l'alimentation c.a., débranchez le connecteur secteur IEC du bloc d'alimentation fourni. Si un moyen d'isolement complémentaire est nécessaire, il doit être spécifié et installé par le constructeur de la machine ou l'installateur du produit. Ce dispositif d'isolement / déconnexion doit être facilement accessible à l'opérateur, et conforme à toutes les réglementations nationales de câblage applicables dans le pays d'installation.

Rayonnement infrarouge

PRODUIT LED DE CLASSE 1



AVERTISSEMENT : Ce produit fait usage de faisceaux de détection à infrarouges. L'axe à l'avant du faisceau à infrarouges est aligné avec les fentes situées à l'avant des couvercles des ports. Bien que la visualisation directe du faisceau ne présente pas de risque, il est conseillé à l'utilisateur d'éviter d'aligner un œil dans l'axe du faisceau ou à proximité de la source LED située du côté droit du couvercle du port 8.

Faisceau à infrarouges



Autochange system user's guide

www.renishaw.com

Avertissements

L'effet de pincement dû au mouvement des pièces mobiles entre elles ou avec des pièces fixes présente des dangers. Ne pas tenir la tête du palpeur lorsqu'elle se déplace ou lors du chargement manuel du palpeur.

Attention aux mouvements imprévisibles. L'utilisateur doit toujours rester en dehors de toute la zone de travail des installations multiples tête/allonge/palpeur.

Suivre les conseils du fabricant pour manipuler et jeter les piles. Utiliser uniquement les piles recommandées. Veiller à ce que les pôles de la pile n'entrent pas en contact avec d'autres objets métalliques.

Le port de lunettes de protection est recommandé pour toute application sur machine-outil ou MMT.

Aucun produit Renishaw avec une alimentation secteur ne peut être réparé par l'utilisateur. Renvoyer tout matériel défectueux à un Centre Après-Vente Renishaw agréé.

Remplacer les fusibles grillés par des composants neufs de même type. Consulter les consignes de sécurité de votre documentation.

Les conseils de nettoyage en toute sécurité des produits Renishaw figurent dans les consignes de maintenance de votre documentation.

Mettre la machine hors tension avant d'entreprendre toute opération de maintenance.

Consulter le mode d'emploi du fournisseur de la machine.

Il incombe au fournisseur de la machine de s'assurer que l'utilisateur a pris connaissance des dangers d'utilisation, y compris ceux décrits dans la documentation du produit Renishaw, et de s'assurer que des protections et verrouillages de sûreté adéquats sont prévus.

Dans certains cas, il est possible que le signal du palpeur indique à tort un état « repos » du palpeur. Il ne faut pas se fier aux signaux venant du palpeur car ils ne garantissent pas toujours l'arrêt de la machine.

L'ACC2-3 peut être isolé de l'alimentation de c.a. par l'interrupteur secteur situé sur son panneau arrière. Si un moyen complémentaire de sectionnement est nécessaire, celui-ci devra être spécifié et installé par le constructeur de la machine ou l'installateur du produit. Ce sectionneur doit être facilement accessible par l'opérateur de la MMT et conforme à la norme IEC61010, ainsi qu'à toute réglementation de câblage applicable dans le pays d'installation.

Autochange system user's guide

www.renishaw.com

GA - Sábháilteacht

Má úsáidtear an trealamh ar bhealach nach bhfuil mionsonraithe ag an déantúsóir, d'fhéadfadh an chosaint sa trealamh bheith lagaithe. Níl aon pháirteanna inúsáidte ag an úsáideoir laistigh den trealamh.

Tá an rialaitheoir cinn ACC2-3 le húsáid leis an PSU - XP POWER VEC40US24 atá soláthraithe. Féach bileog sonraí an déantúsóra ag www.xppower.com.

Rátálacha Leictreacha PSU	
Voltas Soláthair	90 V - 246 Vac
Raon minicíochta	47 Hz go 63 Hz
Ídiú cumhachta	45 W uasmhéid
Voltais dhíomuana	Aicme II

Tá an ACC2-3 aonraithe ó chumhacht SA trí dhínascadh den nascóir príomhlíne IEC ón PSU soláthraithe. Má tá aon mhodhanna aonraithe breise riachtanach, ní mór do dhéantúsóir an mheaisín nó suiteálaí an táirge é a mhionsonrú agus a shuiteáil. Ní mór an gléas aonraithe/dínasctha a bheith suite taobh istigh de shroicheadh éasca an oibreora agus é i gcomhlíonadh le haon rialacháin náisiúnta sreangaithe infheidhmithe don tír ina suiteáiltear é.

Astú solais infridheirg

CLATÁIRGE LED D'AICME 1



AIRE: Baineann an táirge seo leas as gathanna braite infridheirga. Tá an ais ag tosach an gha solais IR ar aon líne leis na slótáin ag tosach chlaibíní na bport. Cé nach bhfuil sé dainséarach féachaint ar an nga go díreach, moltar don úsáideoir gan a shúile a chur ar aon líne le hais an gha ná in aice leis an bhfoinse LED atá suite ar thaobh na láimhe deise de chlaibíní port 8.

Ga solais IR



Autochange system user's guide

www.renishaw.com

Rabhaidh

Tá guaiseacha cúngúcháin ann idir páirteanna atá ag gluaiseacht agus idir páirteanna atá ag gluaiseacht agus páirteanna statacha. Ná coinnigh greim ar cheann an tóireadóra le linn gluaiseachtaí, nó nuair a bhíonn tóireadóir á athrú de láimh.

Fainic an chorraíl gan choinne. Ba chóir don oibreoir fanacht glan amach ó réimse iomlán oibre cheann an tóireadóra / an tsínte/ chumaisc an tóireadóra.

Láimhsítear agus diúscraítear cadhnaí de réir mholtaí an déantúsóra. Ná bain leas ach as na cadhnaí molta. Ná lig do na teirminéil chadhna dul i dtadhaill le hoibíochtaí miotalacha eile.

Moltar cosaint do na súile i ngach aon fheidhmiú lena mbaineann úsáid uirlisí meaisín nó CMM.

Níl aon pháirteanna inseirbhíse úsáideora laistigh de phríomhaonaid chumhachta Renishaw. Seol aonaid fhabhtacha ar ais chuig Ionad údaraithe Renishaw um Sheirbhís do Chustaiméirí.

Déan fiúsanna séidte a athsholáthar le comhpháirteanna den chineál céanna. Tagair don rannóg SÁBHÁILTEACHT i gcáipéisíocht ábhartha an táirge.

Do threoracha maidir le glantóireacht shábháilte na dtáirgí Renishaw, tagair do rannóg Cothabhála i gcáipéisíocht ábhartha an táirge.

Bain an chumhacht de sula ndéantar aon oibríochtaí cothabhála.

Déan tagairt do threoracha oibríúcháin sholáthraí an mheaisín féin.

Is í freagracht sholáthraí an mheaisín í chun a chinntiú go gcuirtear an t-úsáideoir ar an eolas i leith aon ghuaiseacha a bhaineann leis an oibríúchán, lena n-áirítear iad siúd a luaitear i gcáipéisíocht táirge Renishaw, agus chun a chinntiú go soláthraítear sciatha cosanta agus idirghlais sábháilteachta leordhóthanacha.

D'fhéadfadh an tóireadóir comhartha a thabhairt, ar chúinsí áirithe, go raibh rud éigin cearr leis go bréagach. Ná bí ag brath ar chomharthaí tóireadóra le gluaiseacht an mheaisín a stopadh.

Is féidir ACC2-2 a aonrú ón gcumhacht AC tríd an lasc príomhchumhachta ar an gcúlphainéal a úsáid. Má tá aon mhodhanna aonraithe breise riachtanach, ní mór do dhéantúsóir an mheaisín nó suiteálaí an táirge é a mhionsonrú agus a shuiteáil. Ní mór an t-aonraitheoir a shuiteáil cóngarach don oibrítheoir CMM agus é i gcomhlíonadh le IEC61010 agus le haon rialacháin náisiúnta sreangaithe infheidhmithe don tír inar suiteáiltear é.

Autochange system user's guide

www.renishaw.com

HR - Sigurnost

Ako se oprema koristi na način koji se razlikuje od onoga koji navodi proizvođač, zaštita opreme se može narušiti. Unutar opreme nema dijelova koje korisnik može sam servisirati.

ACC2-3 kontroler u glavi treba upotrebljavati s priloženim PSU-om - XP POWER VEC40US24. Vidjeti podatke proizvođača na www.xppower.com.

PSU vrijednosti električne energije	
Napon napajanja	90 V - 246 Vac
Raspon frekvencije	47 Hz do 63 Hz
Potrošnja energije	45 W maks.
Prijelazni napon	Klasa II

ACC2-3 se odvaja od izmjenične struje isključivanjem IEC priključka glavnog napajanja iz dostavljenog PSU-a. Ako je potrebna neka dodatna izolacija, mora je navesti i izvesti proizvođač stroja ili instalater proizvoda. Izolator/uređaj za isključivanje mora biti smješten tako da bude lako dostupan operateru i usklađen sa svim primjenjivim nacionalnim regulativama za ožičenje u državi u kojoj se instalira.

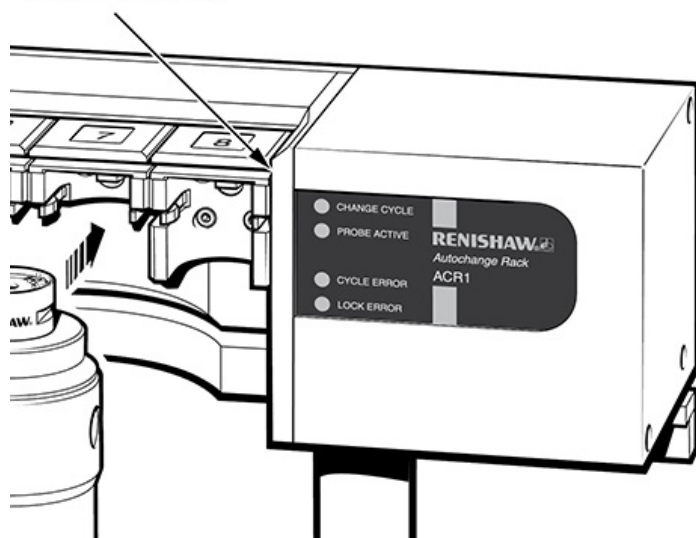
Emisija infracrvene svjetlosti

KLASA 1 LED PROIZVOD



OPREZ: Ovaj proizvod koristi infracrvene zrake. Os ispred infracrvene zrake se nalazi u razini s utorima na prednjim stranama poklopca ulaza. Iako je izravno gledanje u zraku sigurno, korisniku se preporučuje da izbjegava prilaziti okom u razinu osi zrake ili blizu LED izvora koji se nalazi na desnoj strani poklopca ulaza 8.

Infracrvena zraka



Autochange system user's guide

www.renishaw.com

Upozorenja

Između dijelova u pokretu i između pokretnih i statičkih dijelova postoji opasnost od uklještenja. Tijekom pomicanja ili ručnih zamjena sondi, nemojte držati glavu sonde.

Budite oprezni zbog mogućnosti neočekivanog pomicanja. Korisnik treba ostati izvan punog radnog dometa kombinacija glave sonde/produžetka/sonde.

Za rukovanje i zbrinjavanje baterija slijedite preporuke proizvođača. Upotrebljavajte isključivo preporučene baterije. Pripazite da priključni polovi baterije ne dodiruju druge metalne predmete.

Kod svih primjena koje uključuju upotrebu alatnih strojeva ili CMM-ova preporučuje se zaštita očiju.

Unutar električnih uređaja Renishaw nema dijelova koje korisnik može sam servisirati. Uređaje u kvaru vratite u ovlaštenu korisnički servisni centar tvrtke Renishaw.

Pregorjele osigurače zamijenite novima iste vrste. Pogledajte odlomak SIGURNOST u odgovarajućoj dokumentaciji proizvoda.

Za upute o sigurnom čišćenju proizvoda Renishaw proučite odlomak o održavanju u odgovarajućoj dokumentaciji proizvoda.

Isključite napajanje prije provođenja bilo kakvih radova održavanja.

Proučite upute za rad dobavljača stroja.

Dobavljač stroja dužan je osigurati da korisnik bude upozoren na sve opasnosti tijekom rada, uključujući one navedene u dokumentaciji proizvoda Renishaw, te mora osigurati odgovarajuće zaštite i sigurnosne blokade.

Pod određenim okolnostima signal sonde može pogrešno pokazivati stanje položaja sonde. Nemojte se pouzdati da će signali sonde zaustaviti kretanje stroja.

ACC2-3 se odvaja od izmjenične struje pomoću mrežnog prekidača na stražnjoj ploči. Ako je potrebna neka dodatna izolacija, mora je navesti i izvesti proizvođač stroja ili instalater proizvoda. Izolator mora biti smješten tako da bude lako dostupan CMM operateru i usklađen s IEC61010 te svim primjenjivim nacionalnim regulativama za ožičenje u državi u kojoj se instalira.

Autochange system user's guide

www.renishaw.com

HU - Biztonság

Ha az eszközt a gyártó által előírt módtól eltérő módon használják, a felszerelés által nyújtott védelem érvénytelenné válik. A berendezés nem tartalmaz a felhasználó által szervizelhető elemeket.

Az ACC2-3 fejvezérlőt a mellékelt PSU - XP POWER VEC40US24 egységgel kell együtt használni. Lásd a gyártó adatlapját a www.xppower.com oldalon.

A tápegység elektromos besorolása	
Tápfeszültség	90 V és 246 V váltóáram között
Frekvenciatartomány	47 Hz és 63 Hz között
Fogyasztás	45 W max.
Áthaladó feszültség	II. osztály

Az ACC2-3 készülék az IEC főkapcsolónak a mellékelt tápegységből való lecsatlakoztatásával izolálható a váltóáramtól. Ha további kapcsoló is szükséges, azt a gyártónak vagy a terméket beszerelő vállalatnak kell jeleznie és felszerelnie a gépre. A kapcsolót / lecsatlakoztató eszközt úgy kell elhelyezni, hogy azt a kezelő könnyen elérhesse, ugyanakkor meg kell felelnie az adott országban érvényes elektromos hálózatkialakítási szabályok előírásainak.

Infravörös fénysugarak kibocsátása

CLASS 1 BESOROLÁSÚ LED TERMÉK



VIGYÁZAT: A termék infravörös érzékelősugarakat használ. Az infravörös fénysugár tengelye a portfedelek elülső részén lévő horonyokkal egy vonalban található. Ugyan a sugárba való közvetlen tekintés nem jelent veszélyt, azt javasoljuk, hogy a felhasználó ne helyezze szemét a sugártengely vonalába vagy a LED-fényforráshoz közel, amely a 8-as portfedél jobb oldalán található.

Infravörös fénysugár



Autochange system user's guide

www.renishaw.com

Figyelmeztetések

A mozgó alkatrészek, illetve a mozgó és álló alkatrészek között becsípődés veszélye áll fenn. A tapintófejet ne fogja meg mozgás vagy a tapintófej manuális cseréje közben.

Legyen óvatos a nem várt mozgások tekintetében. Tartózkodjon a tapintófej / hosszabbító / tapintó kombináció teljes mozgáskörzetén kívül!

A telepek és akkumulátorok kezelését és kicserélését a gyártói javaslatoknak megfelelően végezze. Kizárólag az ajánlott típusú telepeket és akkumulátorokat szabad használni. Vigyázzon, hogy a telep, illetve akkumulátor érintkezői ne érintkezzenek más fémtárgyakkal.

Szerszámgépek és koordináta-mérőgépek használata során mindig javasolt a szemvédő viselése.

A Renishaw hálózati tápellátású egységek nem tartalmaznak a felhasználó által szervizelhető alkatrészeket. A meghibásodott egységeket juttassa el egy hivatalos Renishaw Vevőszolgálati Központhoz.

A kioldott biztosítékokat azonos típusúakra cserélje. Olvassa el a megfelelő termékdokumentációban található BIZTONSÁG fejezetet.

A Renishaw szerszámgépek biztonságos tisztítására vonatkozó előírásokat megtalálja a megfelelő termékismertető Karbantartás című fejezetében.

Karbantartási munkák előtt mindig áramtalanítsa a gépet.

Ezzel kapcsolatban tekintse át a gép gyártója által kiadott kezelési utasítást.

A gép gyártójának kötelessége felhívni a felhasználó figyelmét a berendezés használata során fennálló valamennyi veszélyre, beleértve a Renishaw termékeihez tartozó dokumentációban említett kockázatokat is; emellett az ő felelőssége a megfelelő védőelemek és biztonsági megszakító berendezések biztosítása is.

Bizonyos körülmények között a tapintó jele tévesen arról tájékoztathat, hogy a tapintó még nem tért ki. Ne hagyatkozzon a tapintó jelére, ha meg kell állítani a gépet.

Az ACC2-3 egy, a hátsó panelen található főkapcsoló segítségével csatlakoztatható a váltóáramú tápforráshoz. Ha egyéb leválasztásra lenne szükség, akkor azt a berendezés gyártójának vagy a termék beszerelőjének kell meghatározni és beszerelnie. A leválasztónak a CMM üzemeltető számára könnyen hozzáférhető helyen kell lennie, és meg kell felelnie az IEC61010 szabványnak, illetve a területileg érvényes villamos bekötési szabályoknak.

Autochange system user's guide

www.renishaw.com

IT - Sicurezza

Il grado di protezione normalmente fornito sui dispositivi potrebbe essere reso meno efficace in caso di utilizzo non conforme a quanto specificato dal produttore. All'interno del dispositivo non vi sono componenti idonei alla manutenzione da parte dell'utente.

Il controllo per teste ACC2-3 deve essere utilizzato con l'alimentatore XP POWER VEC40US24 in dotazione. Vedere la scheda tecnica del produttore nel sito www.xppower.com.

Caratteristiche elettriche dell'alimentatore	
Tensione di alimentazione	90 V - 246 Vac
Frequenza	Da 47 Hz a 63 Hz
Consumo energetico	45 W max
Oscillazioni di tensione	Classe II

Per isolare ACC2-3 dal sistema di alimentazione elettrica, scollegare il connettore IEC dall'alimentatore. Nel caso in cui fossero necessari ulteriori dispositivi di isolamento, sarà necessario specificare tale esigenza e richiedere al produttore della macchina o all'installatore di provvedere in tale senso. Il dispositivo di isolamento/disconnessione dovrà essere posizionato in un punto facilmente accessibile all'operatore e dovrà risultare conforme a tutte le normative nazionali sui cablaggi in vigore nel paese di installazione.

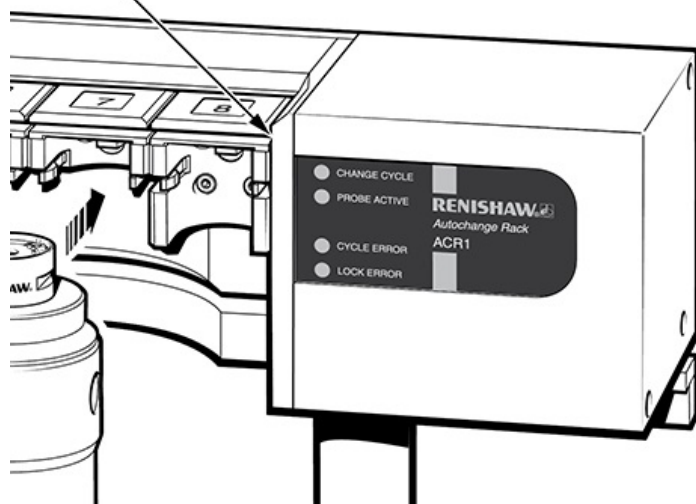
Emissione di luce a infrarossi

PRODOTTO LED DI CLASSE 1



AVVERTENZA: Questo prodotto usa raggi di rilevazione a infrarossi. L'asse di fronte al raggio di luce IR è in linea con le fessure anteriori degli sportelli. Sebbene la vista diretta del raggio non sia pericolosa, si consiglia all'utilizzatore di evitare di mettere gli occhi sulla linea dell'asse del raggio o vicino al LED di emissione situato sulla parte destra dello sportello 8.

Raggio a infrarossi



Autochange system user's guide

www.renishaw.com

Avvertenze

Esiste pericolo di danno da schiacciamento tra le parti in moto o tra le parti in moto e quelle ferme. Evitare di afferrare la testina della sonda quando è in moto, o durante le sostituzioni manuali della sonda.

Fare attenzione ai movimenti improvvisi. Si raccomanda all'utente di tenersi al di fuori dello spazio operativo della testa della sonda, delle prolunghe e di altri accessori della sonda.

Trattare e smaltire le batterie in conformità alle istruzioni del fabbricante. Usare solo batterie del tipo consigliato. Evitare il contatto tra i terminali delle batterie e oggetti metallici.

Si raccomanda di indossare occhiali protettivi in applicazioni che comportano l'utilizzo di macchine utensili e macchine di misura a coordinate.

All'interno delle unità collegate all'impianto di alimentazione centrale di Renishaw non vi sono componenti idonei alla manutenzione da parte dell'utente. In caso di guasto, restituire l'apparecchio a uno dei Centri di Assistenza Renishaw.

I fusibili bruciati dovranno essere sostituiti con altri dello stesso tipo. Consultare la sezione SICUREZZA della documentazione del prodotto.

Per le istruzioni relative alla pulizia dei prodotti Renishaw, fare riferimento alla sezione Manutenzione della documentazione del prodotto.

Prima di effettuare qualsiasi intervento di manutenzione, togliere la rete di alimentazione.

Consultare le istruzioni d'uso fornite dal fabbricante della macchina.

Il fornitore della macchina ha la responsabilità di avvertire l'utente dei pericoli inerenti al funzionamento della stessa, compresi quelli riportati nelle istruzioni di Renishaw, e di fornire dispositivi di sicurezza e interblocchi di sicurezza adeguati.

È possibile, in certe situazioni, che la sonda emetta erroneamente un segnale di sonda a riposo. Non fare affidamento sui segnali di stato sonda per arrestare il movimento della macchina.

L'unità ACC2-3 viene isolata dall'alimentazione in CA tramite uno switch posto sul pannello posteriore. Nel caso in cui fossero necessari ulteriori dispositivi di isolamento, sarà necessario specificare tale esigenza e richiedere al produttore della macchina o all'installatore di provvedere in tale senso. Il dispositivo di isolamento dovrà essere posizionato in un punto facilmente accessibile all'operatore della macchina CMM e dovrà risultare conforme allo standard IEC61010 e a tutte le normative nazionali sui cablaggi in vigore nel paese di installazione.

Autochange system user's guide

www.renishaw.com

JA - 安全について

本製品をメーカーが指定する方法以外で使用した場合、本製品の保護性能・機能が低下することがあります。製品には、ユーザーがメンテナンスできるような部品はありません。

ACC2-3 ヘッドコントローラは、付属の PSU - XP POWER VEC40US24 と共に使用してください。 www.xppower.com でメーカーのデータシートをご確認ください。

PSU 定格電源	
供給電圧	AC 90V~246V
周波数範囲	47 Hz~63 Hz
電力消費	最大 45 W
過渡電圧	クラス II

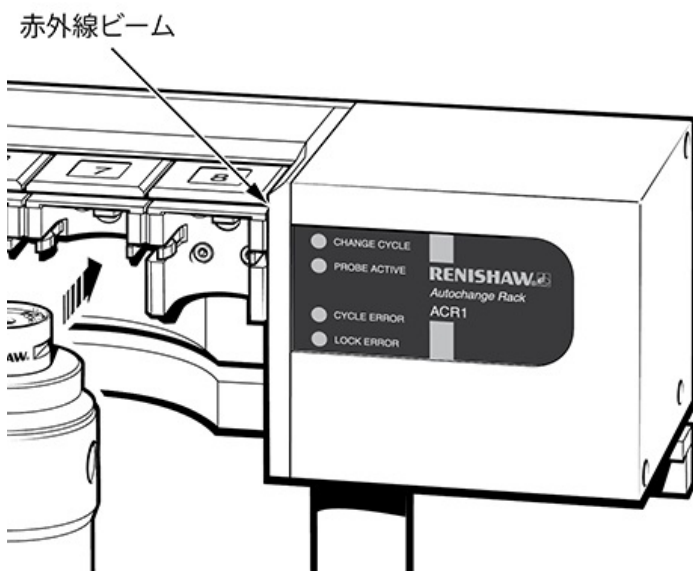
ACC2-3 は、付属の PSU から IEC 主電源コネクタを外すことで AC 電源供給を停止することができます。別途、電源供給の切断が必要な場合は、機械メーカーまたは取付け業者が実施してください。遮断装置 / 切断装置は、操作員が簡単にアクセスできる場所に設置し、それぞれの国で決められている配線に関する規則に則り設置してください。

赤外線照射

クラス 1 LED 製品



注意：本製品は赤外線検出ビームを使用しています。赤外線ビームの軸は、ポートの蓋の手前にあるスロットに沿った方向になっています。ビームを直視しても安全性に問題はありませんが、ビームの軸方向に向かって見たり、ポート 8 の蓋の右側にある LED 光源の近くに目を近づけないようにしてください。



Autochange system user's guide

www.renishaw.com

警告

可動部の間または可動部と固定部の間に指などが挟まれる危険があります。移動中または手動プローブ交換中は、プローブヘッドを手で持たないようにしてください。

予想外の動作に注意してください。プローブシステムの可動範囲内に入らないでください。

メーカーの推奨する方法に従って電池を取り扱い、処分してください。電池は推奨品を必ずご使用ください。電池の電極には他の金属部品が触れないようにご注意ください。

工作機械や三次元測定機を使用する場合は、保護眼鏡の着用を推奨します。

機械本体から電源供給を受けて動作するレニショーユニットには、ユーザー自身で修理可能な部品は含まれていません。不具合のある製品は機械メーカーまたはレニショー認定のカスタマーサービスセンターにご返却ください。

ヒューズを交換する際には、同一規格のものと交換してください。関連する製品の説明書の安全に関するセクションも併せて参照してください。

レニショー製品を清掃する場合は、関連する製品の説明書のメンテナンスに関するセクションを参照してください。

メンテナンス作業を行う前には必ず、電源を切ってください。

機械メーカーの操作説明書を参照してください。

レニショーの製品説明書に記載されている内容も含め、操作に伴うあらゆる危険性をユーザーへ周知してください。また、適切な保護機構とインターロックシステムの設置は、各工作機械メーカーの責任で行なってください。

特定の状況下では、プローブ信号が正しく出力されない場合があります。プローブ信号のみに頼って機械を停止させないようにしてください。

ACC2-3 は、リアパネルの主電源スイッチを使用して AC 電源供給を停止することができます。別途、電源供給の切断が必要な場合は、機械メーカーまたは取付け業者が実施してください。ブレーカーは、CMM オペレーターが簡単にアクセスできる場所に設置し、IEC61010 および各国で定められている配線に関する規則に則り設置してください。

Autochange system user's guide

www.renishaw.com

LT - Sauga

Jei įranga naudojama ne taip, kaip nurodo gamintojas, gali sumažėti įrangos teikiama apsauga. Įrangos viduje nėra jokių detalių, kurių techninę priežiūrą galėtų atlikti pats naudotojas. ACC2-3 galvos valdiklis turi būti naudojamas kartu su tiekiamu maitinimo bloku (PSU) – XP POWER VEC40US24. Žr. gamintojo duomenų lapą adresu www.xppower.com.

Maitinimo bloko (PSU) elektriniai parametrai	
Maitinimo įtampa	90–246 V KS
Dažnio diapazonas	47–63 Hz
Energijos sąnaudos	maks. 45 W
Pereinamoji įtampa	II klasė

Atjungus IEC maitinimo tinklo jungtį nuo tiekiamo maitinimo bloko, ACC2-3 yra atskirtas nuo kintamosios srovės. Jei reikia papildomų izoliavimo priemonių, jas turi nurodyti ir sumontuoti įrenginio gamintojas arba produkto montuotojas. Izoliatorius / atjungimo įrenginys turi būti įrengtas lengvai operatoriui pasiekiamoje vietoje bei atitikti bet kokius taikomus nacionalinius jungimo reikalavimus, galiojančius šalyje, kurioje montuojama.

Infraraudonosios šviesos spinduliuotė

1 KLASĖS ŠVIESOS DIODŲ GAMINYS



ATSARGIAI! Šiame gaminyje naudojami infraraudonieji aptikimo spinduliai. Priešais infraraudonosios šviesos spindulį esanti akis yra lygiagrečiai angoms, esančioms jungties dangteliuose. Nors yra saugu tiesiogiai žiūrėti į spindulį, naudotojui rekomenduojama vengti žiūrėti lygiagrečiai spindulio ašiai arba arti prie šviesos diodo šaltinio, esančio 8 jungties dangtelio dešinėje pusėje.

Infraraudonosios šviesos spindulys



Autochange system user's guide

www.renishaw.com

Įspėjimai

Tarp judančių detalių bei tarp judančių ir statišku detalių pakliuvę objektai gali būti suspausti. Nelaikykite zondo galvutės judant įrenginiui ar keisdami zondą rankiniu būdu.

Saugokitės netikėtų judesių. Naudotojui nerekomenduojama atidaryti veikiančios zondo galvutės / ilgintuvo / zondų junginio gaubto.

Akumuliatorius naudokite ir juos utilizuokite pagal gamintojo rekomendacijas. Naudokite tik rekomenduotus akumuliatorius. Saugokite, kad prie akumuliatoriaus gnybtų nesiliestų jokie kiti metaliniai objektai.

Atliekant visus darbus, kai naudojami įrenginio įrankiai, įrenginys valomas ir prižiūrimas, rekomenduojama užsidėti apsauginius akinius.

„Renishaw“ prietaisuose, maitinamuose iš elektros tinklo, nėra detalių, kurias galėtų remontuoti pats naudotojas. Gražinkite sugedusius prietaisus įgaliotajam „Renishaw“ klientų aptarnavimo centrui.

Pakeiskite perdegusius saugiklius to paties tipo saugikliais. Žr. atitinkamo gaminio dokumentacijoje skyrių SAUGA.

„Renishaw“ gaminių saugaus valymo instrukcijas rasite atitinkamo gaminio dokumentuose „Priežiūros“ skyriuje.

Prieš atlikdami techninę priežiūrą, išjunkite elektros srovės tiekimą.

Laikykites įrenginio tiekėjo naudojimo nurodymų.

Įrenginio tiekėjas atsako už tai, kad naudotojas būtų įspėtas apie pavojus, susijusius su įrenginio naudojimu, taip pat apie pavojus, minimus „Renishaw“ prietaiso techninėje dokumentacijoje, ir kad būtų sumontuoti atitinkami apsauginiai įrenginiai bei blokatoriai.

Susiklosčius tam tikroms aplinkybėms, zondo signalas gali neteisingai nurodyti, kad jo reikšmės atstatytos į pradinę būseną. Nepasikliaukite zondo signalais ir iš karto nestabdykite įrenginio.

ACC2-3 izoliuojama nuo kintamosios srovės naudojant maitinimo tinklo jungiklį, esantį galiniame skyde. Jei reikia papildomų atskyrimo priemonių, jas turi nurodyti ir sumontuoti įrenginio gamintojas arba gaminio montuotojas. Skyriklis turi būti lengvai pasiekiamas koordinatinės matavimo mašinos operatoriui ir turi atitikti IEC61010 bei kitas valstybės, kurioje montuojama mašina, elektros laidų instaliacijos taisykles.

Autochange system user's guide

www.renishaw.com

LV - Drošība

Ja iekārtu lieto neatbilstīgi ražotāja norādēm, tās nodrošinātā aizsardzība var mazināties. Iekārtā nav detaļu, kuru apkopi var veikt lietotājs.

Dalītājgalvas kontroleris ACC2-3 ir jāizmanto tikai kopā ar komplektā ietverto barošanas bloku XP POWER VEC40US24. Skatiet ražotāja datu lapu vietnē www.xppower.com.

Barošanas bloka elektrisko parametru prasības	
Barošanas spriegums	90–246 V maiņstrāva
Frekvenču diapazons	47–63 Hz
Enerģijas patēriņš	Ne vairāk par 45 W
Nestacionārais spriegums	II klase

Maiņstrāvas padevi ACC2-3 var pārtraukt, atvienojot IEC standarta elektrotīkla savienotāju no komplektā ietvertā barošanas bloka. Ja vajadzīgi papildu atvienošanas līdzekļi, tie ir jānorāda un jānodrošina ierīces ražotājam vai izstrādājuma uzstādītājam. Izolatoram / atvienošanas ierīcei jāatrodas operatoram viegli aizsniēdamā vietā un jāatbilst visiem elektroinstalācijas noteikumiem, kas ir piemērojami valstī, kurā uzstādīta ierīce.

Infrasarkanais starojums

1. KLASES LED IZSTRĀDĀJUMS



UZMANĪBU! Šis izstrādājums izmanto infrasarkano staru jutīgumu. Infrasarkanās gaismas staru kūļa priekšējā ass atrodas vienā līmenī ar spraugām pieslēgvietu vāku priekšējās daļās. Lai gan tieša skatīšanās staru kūlī ir droša, lietotājam ieteicams izvairīties no acu atrašanās vienā līmenī ar staru kūļa asi vai tuvu LED avotam, kas atrodas 8. pieslēgvietas vāka labajā pusē.

Infrasarkanās gaismas staru kūlis



Autochange system user's guide

www.renishaw.com

Brīdinājumi

Pastāv risks tikt saspiestam starp kustīgajām daļām, kā arī starp kustīgajām un nekustīgajām daļām. Neturiet zondes galviņu kustības laikā vai veicot zondes nomaīņu manuāli.

Uzmanieties no nejaušām kustībām. Lietotājam jāpaliek ārpus kontaktmērgalviņas/uzgaļa/zondes pilna darbības rādiusa.

Lietojiet un atbrīvojieties no baterijas saskaņā ar ražotāja ieteikumiem. Izmantojiet tikai ieteicamās baterijas. Neļaujiet bateriju spailēm saskarties ar citiem metāla objektiem.

Izmantojot darba iekārtas vai koordinātu mērīšanas ierīces, ieteicams izmantot acu aizsarglīdzekļus.

Strāvai pievienotajās „Renishaw” ierīcēs nav daļu, kuru apkopi var veikt lietotājs. Bojātas ierīces nosūtiet atpakaļ uz tuvāko „Renishaw” klientu apkalpošanas centru.

Aizvietojiet izdegušus drošinātājus ar tā paša tipa jauniem komponentiem. Skatiet attiecīgā izstrādājuma dokumentācijas DROŠĪBAS sadaļu.

Lai uzzinātu par drošu „Renishaw” izstrādājumu tīrīšanu, attiecīgā izstrādājuma dokumentācijā izlasiet apkopes sadaļu.

Atvienojiet izstrādājumu no strāvas pirms jebkuru apkopes darbu veikšanas.

Skatiet iekārtas piegādātāja ekspluatācijas instrukcijas.

Iekārtas piegādātājs atbild par to, lai lietotājs tiktu iepazīstināts ar jebkuriem draudiem, kas saistīti ar tās darbību (ieskaitot tos, kas minēti „Renishaw” izstrādājuma dokumentācijā), un lai būtu nodrošinātas atbilstošas aizsargierīces un aizsargbloķētāji.

Noteiktos apstākļos zondes signāls var nepareizi norādīt zondes stāvokli. Nepaļaujieties uz zondes signāliem, lai apturētu iekārtas kustību.

ACC2-3 no maiņstrāvas var atslēgt ar galveno slēdzi, kas atrodas uz aizmugurējā paneļa. Ja nepieciešami papildu atvienošanas līdzekļi, tie ir jānorāda un jānodrošina iekārtas ražotājam vai izstrādājuma uzstādītājam. Izolatoram jābūt novietotam tā, lai tas būtu viegli pieejams koordinēto mērīšanas mašīnu operatoram un atbilstu IEC61010 un jebkuriem saistītajiem uzstādīšanas valsts elektrotehniskajiem noteikumiem.

Autochange system user's guide

www.renishaw.com

MT - Sigurtà

Jekk it-tagħmir jintuza b'mod li ma jkunx specifikat mill-manifattur, il-protezzjoni pprovduta mit-tagħmir tista' titnaqqas. M'hemm l-ebda partijiet fit-tagħmir li jistgħu jissewew mill-utent.

L-ACC2-3 head controller qiegħed biex jintuza mal-PSU - XP POWER VEC40US24 ipprovdut. Ara d-datasheet tal-manifattur fuq www.xppower.com.

Ratings elettrici tal-PSU	
Vultaġġ tal-provvista tad-dawl	90 V - 246 Vac
Medda tal-frekwenza	47 Hz sa 63 Hz
Konsum ta' dawl	45 W massimu
Vultaġġi temporanji	Klassi II

L-ACC2-3 hu iżolat mill-provvista tad-dawl AC permezz tal-iskonnettjar tal-IEC mains connector minn mal-PSU pprovdut. Jekk ikun hemm bżonn ta' mezzi addizzjonali ta' iżolament, dawn iridu jiġu specifikati u jiġu mmuntati mill-manifattur tal-magna jew mill-installatur tal-prodott. L-iżolatur/it-tagħmir tal-iskonnettjar għandhom jitpoġġew fejn ikunu jistgħu jintlaħqu faċilment mill-operatur u jkunu konformi ma' kwalunkwe regolamenti nazzjonali applikabbli dwar il-wiring għall-pajjiż fejn issir l-installazzjoni.

Emissjoni ta' dawl aħmar infra red

PRODOTT LED TA' KLASSI 1



ATTENZJONI: Dan il-prodott juża raġġi TAT-TIP infra red sensing. L-axis fuq in-naħa ta' quddiem tar-raġġ ta' dawl IR tinsab bi dritt is-slots fuq in-naħa ta' quddiem tal-port lids. Għalkemm li tħares b'mod dirett lejn ir-raġġ ta' dawl mhux ta' periklu, hu rakkomandat li l-utent ma jpoġġix għajnejn bi dritt mal-axis tar-raġġ ta' dawl jew qrib is-sors tal-LED li tinsab fuq in-naħa tal-lemin tal-port 8 lid.

Raġġ ta' dawl IR



Autochange system user's guide

www.renishaw.com

Twissijiet

Jeżistu perikli li persuna tinqaras bejn il-partijiet li jkunu jiċċaqilqu u l-partijiet statiči. Iżzommx ir-ras tas-sonda waqt il-movimenti, jew waqt li tkun qed tibdel is-sonda manwalment.

Oqgħod attent għal moviment mhux mistenni. L-utent għandu jibqa' barra ż-żona kollha tal-operat tal-kombinazzjonijiet tar-ras tas-sonda/estensjoni/sonda.

Immaniġġja u armi l-batteriji skond ir-rakkommandazzjonijiet tal-manufattur. Uża biss batteriji rakkommandati. Thallix it-terminali tal-batterija jiġu f'kuntatt ma' oġġetti metalliċi oħra.

Fix-xogħol kollu li jinvolvi l-użu ta' għodda tal-magni jew CMMs, il-protezzjoni tal-għajnejn hi rakkommandata.

Normalment m'hemm l-ebda partijiet li tista' tingħatalhom manutenzjoni mill-utent ġol-units ta' Renishaw li jaħdmu bl-elettriku. Irritorna units difettużi lil Ċentru għas-Servizz tal-Klijenti ta' Renishaw awtorizzat.

Ibdel f'usijiet li taru b'komponenti ġodda ta' l-istess tip. Irreferi għall-informazzjoni tas-SIGURTÀ fid-dokumentazzjoni rilevanti tal-prodott.

Għal istruzzjonijiet dwar it-tindif bla periklu tal-prodotti Renishaw, irreferi għall-informazzjoni dwar il-Manutenzjoni fid-dokumentazzjoni tal-prodott rilevanti.

Itfi d-dawl qabel tibda tagħmel xi xogħol ta' manutenzjoni.

Irreferi għall-istruzzjonijiet tal-operat tal-fornitur tal-magna.

Hi r-responsabbiltà tal-fornitur tal-magna li jiżgura li l-utent ikun konxju dwar kwalunkwe perikli involuti fit-tħaddim, inklużi dawk imsemmija fid-dokumentazzjoni tal-prodotti Renishaw, u li jiżgura li jkun hemm protezzjoni u interlocks tas-sigurtà adegwati pprovduti.

Taħt ċerti ċirkustanzi, is-sinjali tas-sonda jista' jindika b'mod falz kundizzjoni probe seated. Tiddependix fuq is-sinjali tas-sonda biex twaqqaf il-moviment tal-magna.

L-ACC2-3 jiġi iżolat mill-provvista tad-dawl AC permezz tal-mains switch fuq il-panel ta' wara. Jekk kwalunkwe mezz addizzjonali ta' iżolament ikunu meħtieġa, dan irid jiġi speċifikat u installat mill-manifattur tal-magna jew mill-installatur tal-prodott. L-iżolatur irid jitpoġġa fejn ikun jista' jintlaħaq faċilment mill-operatur tas-CMM u jrid ikun konformi ma' IEC61010 u ma' kwalunkwe regolamenti nazzjonali applikabbli dwar il-wiring għall-pajjiż fejn ikun qed jiġi installat.

Autochange system user's guide

www.renishaw.com

NL - Veiligheid

Gebruik van deze apparatuur op een manier die de fabrikant niet voorgeschreven heeft, kan de bescherming door de apparatuur beperken. In de apparatuur bevinden zich geen onderdelen die de gebruiker zelf kan repareren.

Gebruik voor de ACC2-3 meetkopbesturing de bijgeleverde voedingseenheid van XP POWER VEC40US24. Zie het datablad van de fabrikant op www.xppower.com.

Elektrische gegevens voedingseenheid	
Voedingsspanning	90 V - 246 Vac
Frequentiebereik	47 Hz tot 63 Hz
Stroomverbruik	Maximaal 45 W
Piekspanningen	Klasse II

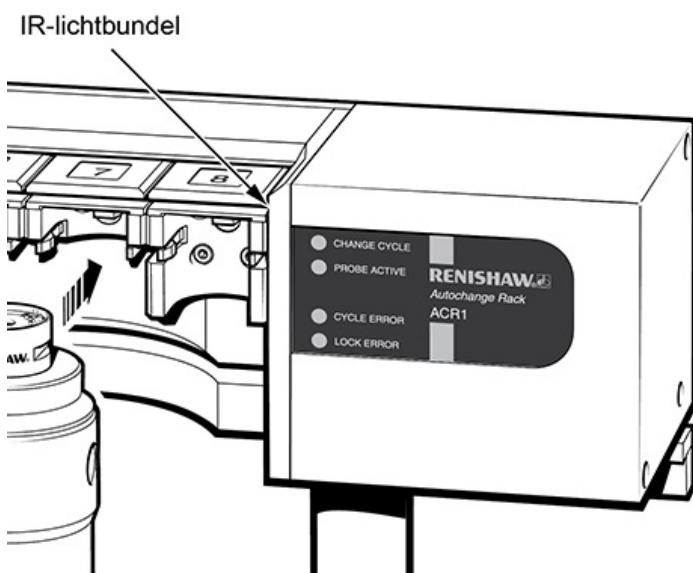
De ACC2-3 wordt van de wisselstroom afgesloten door de IEC voedingsspanningconnector los te koppelen van de geleverde voedingseenheid. Als nog een extra manier van ontkoppelen gevraagd wordt, dan moet die gespecificeerd en geplaatst worden door de machinefabrikant of monteur van het product. De ontkoppelvvoorziening moet ruim binnen het bereik van de operator aangebracht worden en voldoen aan alle elektrische regels die gelden in het land van plaatsing.

Infraroodlichtemissie

KLASSE 1 LED-PRODUCT



WAARSCHUWING: Dit product maakt gebruik van infrarode detectiestralen. De as aan de voorkant van de IR-lichtbundel bevindt zich in lijn met de sleuven in de voorkant van de poortdeksels. Hoewel het rechtstreeks bekijken van de straal veilig is, wordt de gebruiker geadviseerd om te voorkomen dat het oog in lijn komt met de straal of dicht bij de LED-bron aan de rechterkant van het deksel van poort 8.



Autochange system user's guide

www.renishaw.com

Waarschuwingen

Er is risico op inklemming tussen de bewegende onderdelen onderling en tussen bewegende en niet bewegende onderdelen. Houd de tasterkop niet vast als de machine in werking is of bij het handmatig verwisselen van een taster.

Pas op voor onverwachte bewegingen. De gebruiker dient buiten het werkbereik van de combinatie tasterkop/verlengstuk/meettaster te blijven.

Behandel de batterijen volgens de aanwijzingen van de fabrikant en verwijder ze volgens de voorschriften. Gebruik uitsluitend de aanbevolen batterijen. Zorg ervoor dat de poolklemmen niet in contact komen met andere metalen voorwerpen.

Voor alle toepassingen waarbij bewerkingsmachines of CMM's worden gebruikt, wordt het dragen van een veiligheidsbril aanbevolen.

De onderdelen van netspanning gevoede Renishaw-units kunnen niet door de gebruiker worden onderhouden. Stuur defecte units terug naar een van de klantenservicecentra van Renishaw.

Vervang doorgebrande zekeringen door nieuwe van hetzelfde type. Lees het hoofdstuk VEILIGHEID in de bijbehorende productdocumentatie.

Voor het veilig reinigen van Renishaw producten wordt verwezen naar het hoofdstuk Onderhoud in de bijbehorende productdocumentatie.

Schakel de stroom uit, voordat u onderhoudwerkzaamheden verricht.

Raadpleeg de bedieningshandleiding van de machineleverancier.

De leverancier van de machine dient te zorgen dat de gebruiker op de hoogte is van de risico's die zijn verbonden aan het gebruik van de machine, met inbegrip van de risico's vermeld in de productdocumentatie van Renishaw, en dat de machine is voorzien van voldoende beveiligingen en veiligheidsvergrendelingen.

Onder bepaalde omstandigheden kan het tastersignaal een onjuiste tastertoestand aangeven. Vertrouw niet op de tastersignalen voor het stoppen van de machinebeweging.

De ACC2-3 afsluiten van de wisselspanning gebeurt met de netschakelaar op het achterpaneel. Als nog een extra manier van afsluiten gevraagd wordt, dan moet die gespecificeerd en geplaatst worden door de machinefabrikant of de monteur van het product. De afsluitvoorziening moet ruim binnen het bereik van de CMM-operator aangebracht worden en voldoen aan IEC61010 en de andere elektrische regels die gelden in het land van plaatsing.

Autochange system user's guide

www.renishaw.com

PL - Bezpieczeństwo

Jeżeli wyposażenie jest użytkowane w inny sposób, niż określił to producent, zabezpieczenie zapewniane przez to wyposażenie może być osłabione. Wewnątrz wyposażenia nie ma żadnych części, których obsługę mógłby wykonać użytkownik.

Głównego sterownika ACC2-3 należy używać z załączonym zasilaczem – XP POWER VEC40US24. Patrz karta danych producenta na stronie www.xppower.com.

Elektryczne parametry znamionowe	
Napięcie zasilania	90–246 V AC
Zakres częstotliwości	47–63 Hz
Pobór mocy	Maks. 45 W
Stopień ochrony przeciwprzepięciowej	Klasa II

Sterownik ACC2-3 jest odłączany od zasilania poprzez odłączenie złącza IEC od dostarczonego zasilacza. Jeśli wymagane są jakiegokolwiek dodatkowe środki izolacyjne, ich dane techniczne muszą być określone i muszą one być zainstalowane przez producenta maszyny lub instalatora produktu. Odłącznik musi być umieszczony w taki sposób, aby zapewniać operatorowi łatwy dostęp do niego oraz musi spełniać wymagania wszelkich przepisów dotyczących okablowania, jakie obowiązują w kraju instalacji.

Emisja światła podczerwonego

PRODUKT LED KLASY 1



PRZESTROGA: Ten produkt wykorzystuje wiązki podczerwieni do wykrywania. Oś z przodu wiązki światła podczerwonego znajduje się w linii ze szczelinami w przednich częściach pokrywek portów. Chociaż bezpośrednie patrzenie na wiązkę jest bezpieczne, użytkownik powinien unikać patrzenia w jednej linii z osią wiązki lub w pobliżu źródła LED, znajdującego się po prawej stronie pokrywki portu 8.

Wiązka promieni podczerwieni



Autochange system user's guide

www.renishaw.com

Ostrzeżenia

Występuje niebezpieczeństwo zakleszczenia pomiędzy częściami ruchomymi oraz częściami ruchomymi i nieruchomymi. Nie wolno trzymać głowicy sondy podczas ruchów i między częściami ruchomymi i nieruchomymi.

Należy uważać na niespodziewane ruchy maszyny. Użytkownik powinien pozostawać poza pełną strefą roboczą kombinacji głowicy sondy/przedłużacza/sondy.

Obsługę baterii i ich usuwanie należy przeprowadzać zgodnie z zaleceniami producenta. Używać zalecanego typu baterii. Nie dopuszczać do kontaktu zacisków baterii z innymi przedmiotami metalowymi.

Podczas obsługi obrabiarek lub maszyn współrzędnościowych zaleca się używanie osłon na oczy.

W zasilanych z sieci urządzeniach firmy Renishaw nie ma części, które mogą być serwisowane przez użytkownika. Niesprawne zespoły należy przekazywać do autoryzowanego centrum serwisowego firmy Renishaw.

Spalone bezpieczniki topikowe zastępować nowymi elementami tego samego typu. Zobacz część BEZPIECZEŃSTWO dokumentacji danego produktu.

Instrukcje dotyczące bezpiecznego czyszczenia produktów Renishaw znajdują się w części Konserwacja, w dokumentacji danego produktu.

Przed przystąpieniem do jakichkolwiek czynności konserwacyjnych należy odłączyć zasilanie energią elektryczną.

Zapoznać się z instrukcjami obsługi dostarczonymi przez dostawcę urządzeń.

Na dostawcy maszyny spoczywa odpowiedzialność za uprzedzenie użytkownika o wszelkich zagrożeniach związanych z eksploatacją łącznie z tymi, o jakich wspomina się w dokumentacji produktu Renishaw oraz za zapewnienie stosownych osłon i blokad zabezpieczających.

W pewnych okolicznościach sygnał sondy może fałszywie wskazywać stan gotowości sondy. Nie należy zatrzymywać pracy maszyny polegając wyłącznie na sygnale z sondy.

Sterownik ACC2-3 jest izolowany od zasilania przełącznikiem sieciowym, znajdującym się na tylnym panelu. Gdy wymagane są jakiegokolwiek dodatkowe środki ochrony, ich dane techniczne muszą być określone i muszą one być zainstalowane przez producenta maszyny lub instalatora produktu. Odłącznik musi być umieszczony w taki sposób, aby zapewniać operatorowi maszyny współrzędnościowej łatwy dostęp do niego oraz musi spełniać wymagania IEC61010 i wszelkich przepisów dotyczących okablowania, jakie obowiązują w kraju instalacji.

Autochange system user's guide

www.renishaw.com

PT - Segurança

Se o equipamento for utilizado de modo não especificado pelo fabricante, a proteção oferecida poderá ser prejudicada. O equipamento não contém peças que possam ser reparadas pelo usuário.

O comando do cabeçote ACC2 deve ser utilizado com a unidade de alimentação XP POWER VEC40US24 fornecida. Consulte a ficha de dados do fabricante em www.xppower.com.

Dados elétricos da unidade de alimentação	
Tensão de alimentação	90 V - 246 Vac
Limites de frequência	47 Hz a 63 Hz
Consumo de energia	45 W máx.
Tensões transientes	Classe II

ACC2-3 é isolado da alimentação ac desconectando-se o conector de rede elétrica IEC da unidade de alimentação fornecida. Se qualquer outro meio de isolamento for necessário, o mesmo deverá ser especificado e preparado pelo fabricante da máquina ou instalador do produto. O isolador / dispositivo de desconexão deve ser de fácil acesso para o operador e atender as regulamentações elétricas nacionais aplicáveis para o país onde estiver instalado.

Emissão de radiação de infravermelhos

PRODUTO LED DE CLASSE 1



CUIDADO: Este produto utiliza feixes de detecção de infravermelhos. O eixo na parte da frente do feixe de radiação de infravermelhos está orientado com as ranhuras na parte da frente das tampas da porta. Embora seja seguro olhar para o feixe, recomenda-se que o utilizador evite olhar diretamente para o eixo do feixe ou junto à fonte de LED localizada no lado direito da tampa da porta 8.

Feixe da radiação de infravermelhos



Autochange system user's guide

www.renishaw.com

Avisos

Risco de beliscadura entre as peças em movimento e entre estas e as estáticas. Não segure a cabeça da sonda durante movimentos nem mudanças manuais sonda.

Tomar cuidado com os movimentos inesperados. O utilizador tem de permanecer afastado das combinações cabeça da sonda/extensão/sonda que estão em pleno funcionamento.

Manuseie e elimine as baterias de acordo com as recomendações do fabricante. Utilize apenas as baterias recomendadas. Evite que os terminais da bateria entrem em contacto com outros objetos metálicos.

Em todas as aplicações que envolvam a utilização de máquinas-ferramenta e CMMs, é recomendada a utilização de proteção para os olhos.

Não existem peças operacionais para o utilizador no interior das unidades alimentadas pela rede elétrica da Renishaw. Devolva as unidades com defeito a um centro de assistência ao cliente autorizado Renishaw.

Substitua os fusíveis fundidos por componentes novos do mesmo tipo. Consulte a seção SEGURANÇA da documentação relevante do produto.

Para obter instruções relativamente à limpeza segura dos produtos Renishaw, consulte a secção Manutenção da documentação relevante do produto.

Desligue a alimentação antes de realizar quaisquer operações de manutenção.

Consultar as instruções de operação do fornecedor da máquina.

É da responsabilidade do fornecedor da máquina assegurar que o utilizador tem conhecimento de quaisquer perigos envolvidos no funcionamento, incluindo os mencionados na documentação do produto da Renishaw, e garantir que são fornecidas proteções e bloqueios de segurança.

Sob certas circunstâncias, o sinal do apalpador pode falsamente indicar uma condição de não contato do apalpador. Não confie nos sinais da sonda para parar o movimento da máquina.

O ACC2-3 é afastado da alimentação ac pelo interruptor da rede elétrica no painel traseiro. Se qualquer outro meio de isolamento for necessário, o mesmo deverá ser especificado e preparado pelo fabricante da máquina ou instalador do produto. O isolador deve ser de fácil acesso para o operador da MMC e atender à norma IEC61010 e todas as demais regulamentações elétricas nacionais do país onde estiver instalado.

Autochange system user's guide

www.renishaw.com

RO - Instrucțiuni de siguranță

Dacă echipamentul este folosit în alte condiții decât cele specificate de producător, gradul de siguranță oferit de acesta poate fi diminuat. Nu există părți reparabile în interiorul echipamentului.

Controller-ul ACC2-3 trebuie folosit numai cu sursa de alimentare PSU - XP POWER VEC40US24 furnizată. Vezi fișa tehnică a producătorului la www.xppower.com.

Specificații sursă de alimentare	
Tensiune de alimentare	90 V - 246 Vac
Gama de frecvențe	47 Hz până la 63 Hz
Puterea consumată	45 W max
Tensiuni tranzitorii	Categoria II

Controller-ul ACC2-3 se poate izola de la rețeaua de alimentare cu energie electrică prin deconectarea cablului de rețea IEC de la sursa de alimentare furnizată. În cazul în care este necesară izolarea suplimentară, aceasta trebuie proiectată și realizată de către producătorul mașinii sau instalatorul produsului. Echipamentul de izolare/deconectare trebuie poziționat la îndemâna operatorului și trebuie să fie în concordanță cu regulamentele în vigoare în țara de instalare.

Emisie lumină infraroșie

ATENȚIONARE PRODUS LED DE CLASĂ 1



ATENȚIE: Acest produs folosește fascicule sensibile la infraroșii. Axa din fața fasciculului de lumină IR este situată în linie cu canelurile din fața capacelor portului. Deși este sigur să se privească fasciculul în mod direct, se recomandă utilizatorului să evite să privească de-a lungul axei fasciculului sau în apropierea sursei LED situate în partea dreaptă a capacului 8 al portului.

fascicul de lumină IR



Autochange system user's guide

www.renishaw.com

Avertismente

Există riscul prinderii pielii atât între piesele în mișcare cât și între piesele în mișcare și cele fixe. Nu țineți de capul palpatorului în timpul deplasării acestuia sau în timpul schimbării manuale a palpatorului propriu-zis.

Atenție la deplasările neașteptate. Operatorul trebuie să rămână complet în afara zonei de acțiune a ansamblului cap palpator/prelungitor/palpator propriu-zis.

Manipulați și aruncați bateriile în conformitate cu instrucțiunile fabricantului. Utilizați numai bateriile recomandate. Nu permiteți terminalelor bateriei să intre în contact cu alte obiecte metalice.

În toate aplicațiile care presupun utilizarea mașinilor unelte sau a MMC, se recomandă protejarea ochilor.

Nu există elemente care pot fi reparate de utilizator în interiorul surselor de alimentare Renishaw. Sursele defecte trebuie transmise Centrului de Service Renishaw pentru Clienți.

Înlocuiți siguranțele arse numai cu componente noi de aceeași valoare. Vezi capitolul SIGURANȚĂ al documentației fiecărui produs implicat.

Pentru instrucțiuni referitoare la curățirea în siguranță a produselor Renishaw, vezi capitolul Întreținere al documentației fiecărui produs implicat.

Înainte de executarea oricăror operații de întreținere, scoateți echipamentul de sub tensiune.

Consultați instrucțiunile de operare livrate de furnizorul mașinii.

Furnizorul mașinii este responsabil să asigure că utilizatorul cunoaște pericolele pe care le presupune operarea mașinii, inclusiv cele menționate în documentația produsului Renishaw, și să asigure că sunt furnizate dispozitivele de blocare și de protecție corespunzătoare.

În anumite circumstanțe, semnalul palpatorului poate indica în mod eronat poziția așezată a acestuia. Nu vă bazați pe semnalele primite de la palpator pentru a opri deplasarea mașinii.

ACC2-3 este izolat de rețeaua de curent alternativ prin intermediul întrerupătorului de rețea de pe panoul posterior. Dacă sunt necesare mijloace suplimentare de izolare, acestea trebuie specificate și montate de către producătorul sau instalatorul produsului. Comanda izolației trebuie poziționată la îndemâna operatorului și trebuie să fie conformă cu IEC61010 și cu normele naționale aplicabile în țara de instalare.

Autochange system user's guide

www.renishaw.com

SK - Bezpečnosť

Ak sa zariadenie používa spôsobom, ktorý nešpecifikoval výrobca, môže to negatívne ovplyvniť ochranu poskytovanú zariadením. V zariadení nie sú žiadne diely, ktoré by mohol opraviť používateľ.

Ovládač hlavice ACC2-3 je určený na použitie s dodaným napájacím zdrojom XP POWER VEC40US24. Pozrite si dokumentáciu od výrobcu na adrese www.xppower.com.

Elektrické parametre napájacieho zdroja	
Napájacie napätie	90 V - 246 V stried.
Frekvenčný rozsah	47 Hz až 63 Hz
Príkion	max. 45 W
Prechodné napätia	Trieda II

Zariadenie ACC2-3 možno izolovať od sieťového napájania odpojením sieťového napájacieho konektora IEC od dodaného napájacieho zdroja. Ak sa vyžadujú ľubovoľné ďalšie spôsoby izolácie, musí ich špecifikovať a nainštalovať výrobca prístroja alebo firma vykonávajúca inštaláciu výrobu. Izolačné/odpájacie zariadenie musí byť umiestnené tak, aby bolo ľahko dostupné pre obsluhujúci personál a musí spĺňať všetky príslušné národné predpisy týkajúce sa elektroinštalácie platné v krajine inštalácie.

Žiarenie infračerveného svetla

LED PRODUKT TRIEDY 1



UPOZORNENIE: Tento produkt používa infračervené snímacie lúče. Os predného IR svetelného lúča sa nachádza v línii s otvormi v prednej časti príklopov na portoch. Aj keď je priamo pozerieť do lúča bezpečné, mal by sa používateľ vyhýbať tomu, aby mal oko zároveň s osou lúča alebo v blízkosti LED zdroja umiestneného po pravej ruke príklopu na porte 8.

Lúč IR svetla



Autochange system user's guide

www.renishaw.com

Upozornenia

Medzi pohyblivými časťami a medzi pohyblivými a statickými časťami vzniká riziko pomliaždenia. V priebehu pohybu či manuálnej výmeny sondy nedržte hlavicu sondy.

Dávajte pozor na neočakávaný pohyb. Používateľ by mal zostávať mimo plne funkčnej schránky hlavice sondy / prídavnej časti / kombinácií sondy.

S batériami zaobchádzajte a likvidujte ich v súlade s odporúčaniami výrobcu. Používajte iba odporúčané batérie. Nedovoľte, aby koncovky batérií prišli do kontaktu s inými kovovými predmetmi.

Vo všetkých aplikáciách zahŕňajúcich používanie obrábacích strojov alebo súradnicových meracích prístrojov sa odporúča ochrana očí.

Vo vnútri zariadenia Renishaw napájaného zo siete sa nenachádzajú žiadne diely, ktoré by mohol opravovať používateľ. Chybné zariadenia vráťte do autorizovaného zákaznickeho servisného centra spoločnosti Renishaw.

Vymeňte vyhodnené poistky za nové diely tohto istého typu. Pozrite si časť **BEZPEČNOSŤ** v dokumentácii príslušného produktu.

Pokyny ohľadom bezpečného čistenia produktov Renishaw nájdete v dokumentácii príslušného produktu v časti Údržba

Pred každým vykonávaním údržby odpojte napájanie.

Pozrite si prevádzkové pokyny dodávateľa stroja.

Zodpovednosťou dodávateľa stroja je zaručiť oboznámenie používateľa so všetkými rizikami súvisiacimi s prevádzkou vrátane tých, ktoré sú uvedené v dokumentácii k výrobku spoločnosti Renishaw, a zaručiť poskytnutie adekvátnych zábran a bezpečnostných blokovacích poistiek.

Za určitých podmienok môže signál sondy nesprávne indikovať stav usadenej sondy. Pri zastavovaní pohybov stroja sa nespoliehajte na signály sondy.

Prístroj ACC2-3 je izolovaný od napájania prostredníctvom sieťového vypínača na zadnom paneli. Aj sú nutné akékoľvek dodatočné izolujúce zariadenia, musí ich stanoviť a dodať výrobca prístroja alebo montér tohto produktu. Izolátor musí byť umiestnený tak, aby bol ľahko dostupný pre pracovníka obsluhujúceho súradnicový merací prístroj (CMM) a musí spĺňať normu IEC61010 a všetky príslušné národné predpisy týkajúce sa káblových rozvodov platné v krajine inštalácie.

Autochange system user's guide

www.renishaw.com

SL - Varnost

Drugačna uporaba opreme, kot jo je predpisal proizvajalec, lahko povzroči izpad zaščitnih funkcij opreme. V opremi ni delov, ki bi jih uporabnik lahko popravil sam.

Krmilnik glave ACC2-3 uporabljajte s priloženim napajalnikom XP POWER VEC40US24. Glejte podatkovni list proizvajalca na naslovu www.xppower.com.

Especificações elétricas da PSU	
Dovodna napetost	90 V do 246 VAC
Frekvenčno območje	47 Hz do 63 Hz
Poraba moči	maks. 45 W
Prehodne napetosti	Razred II

ACC2-3 z vira napajanja ločite z odklopom napajalnega priključka IEC s priloženega napajalnika. Če so potrebna dodatna sredstva za ločevanje, jih mora določiti in vgraditi proizvajalec stroja oz. monter izdelka. Ločilno sredstvo / odklopna naprava mora biti nameščena v dosegu operaterja in mora biti skladna z vsemi veljavnimi nacionalnimi predpisi o električnih napeljavah v državi inštalacije.

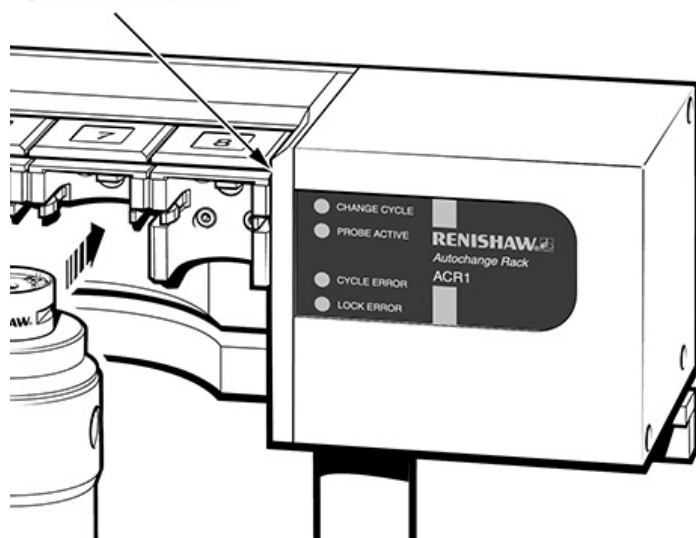
Emisija infrardeče svetlobe

LED IZDELEK RAZREDA 1



POZOR: Ta izdelek uporablja infrardeče zaznavalne žarke. Os pred svetlobnim žarkom IR je poravnana z režami pred pokrovi odprtin. Čeprav lahko varno gledate naravnost v žarek, uporabniku se priporoča postavljanje očesa v linijo osi žarka ali v bližino vira LED, ki se nahaja na desni strani pokrova odprtine 8.

Svetlobni žarek IR



Autochange system user's guide

www.renishaw.com

Opozorila

Nevarnost stiska med premikajočimi se deli oziroma med premikajočimi se in statičnimi deli. Ne držite merilne glave med premiki ali ko ročno menjavate glavo.

Bodite pozorni na nepričakovane premike. Zadržujte se zunaj delovnega območja sonde/podaljška/merilne glave.

Z baterijami ravnajte in jih zavržite v skladu s priporočili proizvajalca. Uporabljajte samo priporočene baterije. Pazite, da se priključki baterije ne dotaknejo drugih kovinskih predmetov.

Pri vsaki uporabi obdelovalnih strojev ali koordinatnih merilnih strojev priporočamo uporabo zaščitnih očal.

Znotraj enot podjetja Renishaw z zunanjim napajanjem ni delov, ki bi jih uporabnik lahko popravil sam. Pokvarjene enote vrnite v pooblaščen servisni center Renishaw.

Pregorele varovalke zamenjajte z novimi istega tipa. Glejte razdelek VARNOST v ustrezni produktni dokumentaciji.

O varnem čiščenju izdelkov Renishaw si preberite razdelek vzdrževanja v pripadajoči dokumentaciji.

Pred začetkom vzdrževanja stroj izklopite iz električnega omrežja.

Držite se navodil dobavitelja stroja.

Odgovornost dobavitelja stroja je, da uporabnika opozori na vse nevarnosti pri delovanju, tudi na tiste, ki so navedene v dokumentaciji Renishaw, in da zagotovi vsa potrebna varovala in varnostne zapore.

V določenih pogojih lahko signal glave lažno nakazuje, da je glava spravljena. Ne zanašajte se na signale glave za ustavitev gibanja stroja.

ACC2-3 ima na zadnji plošči stikalo, s katerim ga lahko izolirate od izmeničnega toka. Če so potrebni dodatni ukrepi za ločevanje, jih mora zasnovati in vgraditi proizvajalec stroja ali inštalater izdelka. Ločilno sredstvo mora biti nameščeno v dosegu operaterja KMS in mora biti skladno s standardom IEC61010 ter z vsemi veljavnimi državnimi predpisi o električnih napeljavah v državi inštalacije.

Autochange system user's guide

www.renishaw.com

SV - Säkerhetsföreskrifter

Om utrustningen används på ett sätt som inte tillverkaren har avsett kanske skyddet fungerar sämre. Utrustningen innehåller inga delar som du själv kan laga.

Huvudstyrenheten ACC2-3 är avsedd för användning tillsammans med den medföljande nätenheten – XP POWER VEC40US24. Se tillverkarens datablad på www.xppower.com.

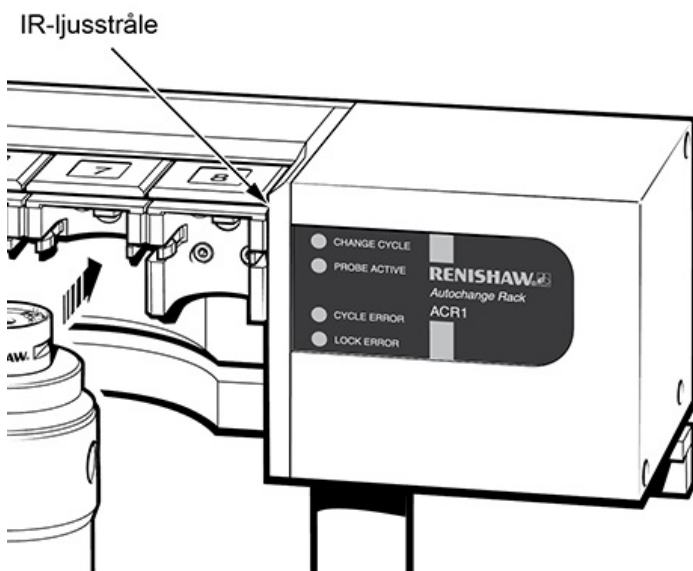
Elektriska värden för nätenheten	
Matningsspänning	90 V–246 V AC
Frekvensområde	47 Hz till 63 Hz
Effektförbrukning	45 W maximalt
Transientspänningar	Klass II

Du isolerar ACC2-3 från växelströmsmatningen genom att stänga av IEC-huvudbrytaren på den medföljande nätenheten. Om andra isoleringsmetoder behövs måste maskintillverkaren eller installatören specificera och montera dessa. Brytaren måste placeras så att operatören lätt kan nå den. Brytaren måste även uppfylla kraven i alla gällande nationella anslutningsföreskrifter som gäller på installationsplatsen.

Infrarött ljus

LED-PRODUKT KLASS 1

! **OBSERVERA:** Den här produkten använder röda avkänningsstrålar. Axeln framför IR-ljusstrålen sitter i linje med spåren på portlocken. Titta aldrig in i strålen och inte heller mot LED-ljuskällan som sitter på höger sida av portlocket 8.



Autochange system user's guide

www.renishaw.com

Varningar

Det finns risk för klämning mellan rörliga delar och mellan rörliga och stillastående delar. Håll ej i sondens huvud under rörelse eller under manuella sondbyten.

Se upp för plötsliga rörelser. Användaren måste befinna sig utanför arbetsområdet för alla kombinationer av sondhuvud/förlängning/sond.

Hantera och kassera batterier i enlighet med tillverkarens rekommendationer. Använd bara rekommenderade batterier. Låt inte batteripolerna komma i kontakt med andra metallföremål.

Ögonskydd rekommenderas för alla tillämpningar, där verktygsmaskiner eller koordinatmätmaskiner används.

Det finns inga delar som användaren kan utföra underhåll på inuti Renishaws nätströmsdrivna enheter. Returnera defekta delar till ett auktoriserat Renishaw kundcenter.

Byt trasiga säkringar mot nya av samma typ. Se avsnittet SÄKERHET (SAFETY) i produktdokumentationen

För instruktioner angående säker rengöring av Renishaws produkter, se avsnittet MAINTENANCE (UNDERHÅLL) i produktdokumentationen.

Koppla bort strömmen innan underhåll utförs.

Se maskintillverkarens bruksanvisning.

Maskinleverantören ansvarar för att användaren informeras om de risker som drift innebär, inklusive de som nämns i Renishaws produktdokumentation, samt att tillräckliga skydd och säkerhetsföreglingar tillhandahålls.

Under vissa omständigheter kan sondens signal falskt ange att en sond är monterad. Lita inte på sondersignaler för att stoppa maskinens rörelse.

ACC2-3 är isolerad från växelströmkällan genom huvudbrytaren på bakpanelen. Om andra metoder behövs för att bryta strömmen måste maskintillverkaren eller installatören specificera och montera dessa. Brytaren måste sitta så att CMM-operatören enkelt kan komma åt den. Den ska följa IEC61010 och andra tillämpliga regler för elinstallation i det land där installationen sker.

Autochange system user's guide

www.renishaw.com

ZH-TW - 安全

如果裝置使用方式與製造商要求的方式不符，則裝置提供的保護功能可能會減弱。裝置內沒有使用者可維護的部件。

ACC2-3測座控制器與所提供的PSU - XP POWER VEC40US24結合使用。請參見 www.xppower.com 上的製造商規格手冊。

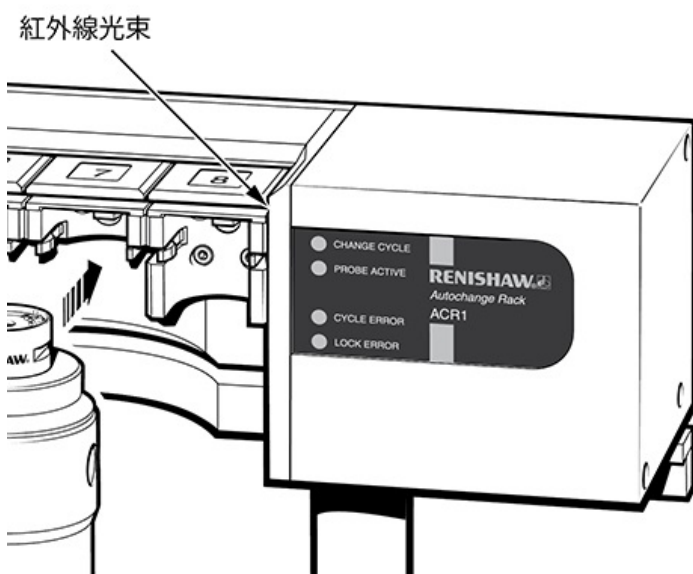
PSU電氣額定值	
供應電壓	90 V - 246 Vac
頻率範圍	47 Hz 至 63 Hz
電力功率	最大45 W
瞬態電壓	II 類

透過將IEC電源連接器從所提供的PSU上斷開，可使ACC2-3與交流電源隔離。如果需要任何形式的隔離措施，則必須由裝置製造商或產品安裝人員指定並安裝。隔離器/斷開裝置必須位於操作員易於操作的位置，並且符合裝置安裝所在國適用的國家佈線標準規定。

紅外線發光

1 類 LED 產品

警告： 本產品使用紅外線感應光束。紅外線光束前的軸與埠蓋前的凹槽成一條直線。雖然直視光束是安全的，但是建議使用者避免使眼睛處於光束軸上或靠近位於連接埠 8 蓋子右側的 LED 光源。



Autochange system user's guide

www.renishaw.com

警告

行走移動零件之間以及行走移動零件與靜止零件之間存在夾傷的危險。在移動時或手工更換測頭座時，切勿握住測頭。

謹防意外移動。使用者位置應保持在測頭座／延長桿／測頭組合件的整個工作包圍面以外。

請依照製造商的建議處理和處置電池。請僅使用建議的電池。切勿讓電池終端與其他金屬物體接觸。

在所有涉及使用工具機或三次元量床的應用中，建議要有眼睛保護措施。

Renishaw 由電源供電的裝置內不含可由使用者自行修理的部件。將有缺陷故障的裝置送回 Renishaw 授權客戶服務中心。

使用同類型的新保險絲更換燒斷的保險絲。請參閱相關產品說明書的「安全」章節。

有關 Renishaw 公司產品的安全清潔指示，請參閱相關產品說明書的「維護」章節。

執行任何維修工作前，請先關閉總電源。

請參閱機器供應商的操作指南。

機器供應商有責任確保使用者瞭解操作機器所存在的任何危險，包括 Renishaw 產品說明書中提及之情況，並保證提供充分的安全防護罩和安全聯鎖裝置。

在某些情況下，測頭訊號可能會錯誤指示測頭已就位之情況。切勿單憑測頭訊號來停止機器的行程移動。

ACC2-3 可以透過後面板上的電源開關與交流電源隔離。如果需要其他隔離措施，必須由裝置製造商或產品安裝人員指定及安裝。隔離物必須設置在 CMM 操作員可及之處，並符合 IEC61010 標準與適用的國家線路法規安裝規範。

Autochange system user's guide

www.renishaw.com

ZH - 安全性

如果设备使用方式与制造商要求的方式不符，则设备提供的保护功能可能会减弱。本设备不含用户可自行维护的部件。

ACC2-3测座控制器与所提供的PSU - XP POWER VEC40US24结合使用。请参见 www.xppower.com 上的制造商规格手册。

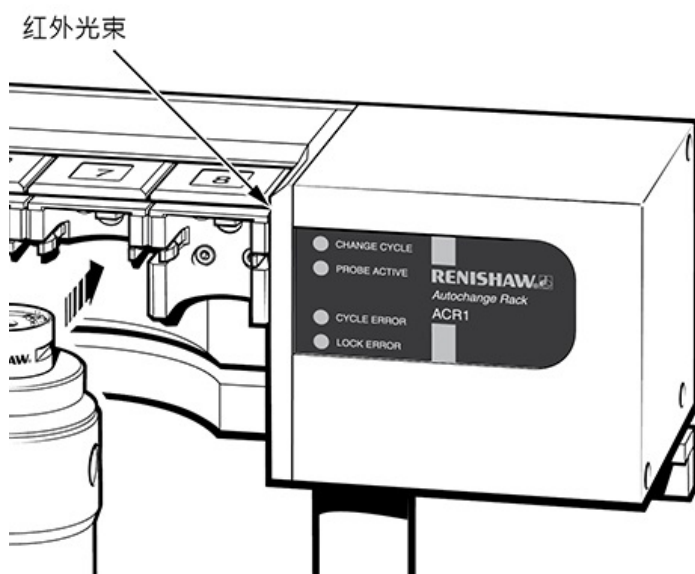
PSU电气额定值	
电源电压	90 V - 246 Vac
频率范围	47 Hz至63 Hz
功耗	最大45 W
瞬态电压	II类

通过将IEC电源连接器从所提供的PSU上断开，可使ACC2-3与交流电源隔离。如果需要任何形式的额外绝缘隔离措施，则必须由设备制造商或产品安装人员指定并安装。隔离器/断开装置必须位于操作员易于操作的位置，并且符合设备安装所在国适用的国家布线标准规定。

红外线发光

1类LED产品

小心：本产品使用红外线感应光束。红外光束前的轴与端口盖前的凹槽成一条直线。虽然直视光束是安全的，但是建议用户避免使眼睛处于光束轴上或靠近位于端口8盖子右侧的LED光源。



Autochange system user's guide

www.renishaw.com

警告

运动部件之间以及运动部件与静止部件之间存在夹伤危险。在移动时或手工更换测头座时，切勿握住测头。

谨防意外移动。用户应该保持在测头座/加长杆/测头组合件的整个工作包络面以外。

请按照制造商的建议处理和处置电池。请只使用推荐的电池。请勿让电池端子与其它金属物体接触。

在所有涉及使用机床或坐标测量机 (CMM) 的应用中，建议采取保护眼睛的措施。

雷尼绍公司由电源供电的装置内不含可由用户自行修理的部件。请将有缺陷故障的装置送回雷尼绍公司授权客户服务中心。

使用同类型的新保险丝更换已熔断保险丝。请参阅相关产品说明书的‘安全’章节。

有关雷尼绍公司产品的安全清洁的指示，请参阅相关产品说明书的“维护”章节。

在执行任何维护作业之前，请先断开电源。

请参阅机床供应商的操作说明书。

机床制造商有责任确保用户了解操作中存在的任何危险(包括雷尼绍产品说明书中提到的危险)，并确保提供充分的防护装置和安全联锁装置。

在某些情况下，测头信号可能错误指示测头已复位状态。切勿单凭测头信号来停止机床运动。

ACC2-3 可以通过后面板上的电源开关与交流电源隔离。如果需要任何形式的额外绝缘隔离措施，必须由设备制造商或产品安装人员指定并安装。隔离器必须位于坐标测量机操作人员易于操作的位置，并且符合IEC61010和设备安装所在国适用的国家布线标准规定。

Renishaw plc
New Mills, Wotton-under-Edge
Gloucestershire, GL12 8JR
United Kingdom

T +44 (0)1453 524524
F +44 (0)1453 524901
www.renishaw.com/cmmsupport



**For worldwide contact details,
please visit our main website at
www.renishaw.com/contact**